



Lumec TunnelView tunnel/underpass luminaires feature a sleek design that provides seamless replacement of existing HID luminaires. This fixture is available in three sizes, offers multiple lumen packages, and a complete array of optical distributions, making it an outstanding solution for all types of tunnel and underpass applications. Includes Service Tag, Signify's innovative way to provide assistance throughout the life of the product.

Project: _____
 Location: _____
 Cat.No: _____
 Type: _____
 Qty: _____
 Notes: _____

Ordering guide

example: TULS-16L700-740-G1-R2M-UNV-DMG-0D-TLL-GY3

| Prefix | LED module | Color Temperature | Generation | Distribution | Voltage | Dimming controls ⁴ |
|-----------------------|--|---|-----------------|--|--|---|
| TULS | | | | | | |
| TULS TunnelView small | 16L350 16L530 16L700 16L1050 16L1200 ⁷ 32L350 32L530 32L700 32L1050 32L1200 ⁷ | 730 70CRI 3000K 740 70CRI 4000K 827 ¹¹ 80CRI 2700K | G1 Generation 1 | Asymmetrical: R2M Type II Medium TW2 ¹² Type II Wall Mount DK Type II Short R3M Type III Medium R3W Type III Wide 4 Type IV Symmetrical: 5 Type V (SYMM) SN Narrow Counter beam: CBL ⁸ Ceiling | UNV 120-277V HVV 347-480V 120 ² 120V 208 ² 208V 240 ² 240V 277 ² 277V 347 ² 347V 480 ² 480V | ZD4i ¹ Zhaga-D4i certified luminaire D4id ¹ D4i Driver (DALI) DMG ⁵ 0-10V Driver Legacy ¹⁷ : DALI ¹ Digitally Addressable Lighting Interface SRD ¹ Sensor Ready Driver standard configuration |

| Mounting Bracket | Other Options | Finish |
|--|--|-----------------------------------|
| Od ⁸ Fix 0° N5d Fix -5° N10d Fix -10° N15d Fix -15° P5d Fix +5° P10d Fix +10° P15d Fix +15° SLF ¹⁵ Slip Fitter SV Swivel | API Factory Installed NEMA label, ANSI C136.15 compliant F1 ² Single Fuse Holder F2 ^{2,15} Double Fuse Holder JB1 Junction Box, 1" NPT entries JB2 Junction Box, 3/4" NPT entries NER Nyx Hemera Ready OMS ¹⁶ Outdoor Multi-Sensor RCM7 ³ Remote install Tool less orientable receptacle with 7 pins SP2 20kV / 10kA Surge Protector (optional) TLRD7 ^{3,13,14} Receptacle for Twist-lock photocell or shorting cap, 7 pin TLRSR ⁶ SR receptacle TLL Tool Less Entry Latches TS1 Trade Size for 1" NPT (1-1/8" hole) TS2 Trade Size for 3/4" NPT (1-3/8" hole) VPA Vandal Proof Access BAC ¹⁸ Meets the requirements of the Buy American Act of 1933 (BAA) BABA ¹⁹ Meets the requirements of the Build America, Buy America Act (BABA) BABAF ¹⁸ Meets the requirements of the Build America Buy America Act for projects funded through FHWA that are obligated before October 1, 2026, and meets the Buy America preferences for FTA. | BK Black BR Bronze GY3 Gray |

Accessories²⁰ (ordered separately, field installed)

| | |
|-----------------------|--|
| BXK | Bird spike |
| PH8 ¹⁰ | Twist-lock Photoelectric Cell, UNV (120-277VAC) |
| PH8/347 ¹⁰ | Twist-lock Photoelectric Cell, (347VAC) |
| PH8/480 ¹⁰ | Twist-lock Photoelectric Cell, (480VAC) |
| PHXL ^{1,10} | Twist-lock Photoelectric Cell, extended life, UNV (120-277VAC) |
| PH9 ¹⁰ | Shorting cap |

Notes: Mounting hardware included, uses dedicated mounting holes - do NOT remove lens.

- Not available with HVU, 347V and 480V.
- Specific voltage (120, 208, 240, 277, 347 or 480) must be specified with fusing options (F1 or F2).
- Use of photoelectric cell or shorting cap is required to ensure proper illumination.
- Select one mandatory option.
- Please note this integrated feature comes standard in this product.
- Only available with ZD4i or SRD Driver Options.
- Only available with DMG Driver Options.
- Only recommended for Ceiling Mount applications.
- Not available with ZD4i or SRD Driver Options.
- TLRD7 or RCM7 must be selected for this option.
- Extended lead-time may apply. Consult factory.
- Optimised for Wall mounting at 10° tilt down from vertical (80° tilt-up from horizontal as indicated in the IES file). Can be used at other angles.
- Available with SLF & SV mounting bracket only.
- Not available with NER option.
- Not available with JB1 or JB2 options.
- TLRSR option and ZD4i option must be selected with OMS.
- Legacy codes for backward compatibility on existing QPL. Please use new coding where possible.
- Failure to properly select the "BAC" suffix could result in you receiving product that is not BAA compliant product with no recourse for an RMA or refund. This BAC designation hereunder does not address (i) the applicability of, or availability of a waiver under, the Trade Agreements Act, or (ii) the "Buy America" domestic content requirements imposed on states, localities, and other non-federal entities as a condition of receiving funds administered by the Department of Transportation or other federal agencies. Genlyte's products with a BAC option code designation are manufactured in the US and utilize a BAA COTS exemption rule for compliance. "BABAF" designates the product will meet the standards set by FHWA for BABA and FTA for Buy America. As noted, for FHWA BABA compliance, applicable projects must be funded by October 1, 2026.
- Build America, Buy America Act (BABA). BABA establishes the minimum domestic content requirements that federal agencies must apply. This product is manufactured in the US and has a domestic content of 55% or more. This BABA designation does not address the "Buy America" domestic content requirements, which may be stricter, imposed on states, localities, and other non-federal entities as a condition of receiving funds administered by federal agencies.
- Consult Signify to confirm whether specific accessories are BAA-compliant.

TULS TunnelView

Tunnel/Underpass luminaire

Predicted Lumen Depreciation Data

Predicted performance derived from LED manufacturer's data and engineering design estimates, based on IESNA LM-80 methodology. Actual experience may vary due to field application conditions. L₇₀ is the predicted time when LED performance depreciates to 70% of initial lumen output. Calculated per IESNA TM21-11. Published L₇₀ hours limited to 6 times actual LED test hours

| Ambient Temperature °C | Drive current | Calculated L70 Hours | L70 per TM-21 | Lumen Maintenance % at 100,000 hrs |
|------------------------|---------------|----------------------|---------------|------------------------------------|
| 25°C | up to 1200 mA | >100,000 hours | >36,000 hours | >97% |

LED Wattage Values

| Ordering Code | Total LEDs | System Current (mA) | Average System Watts ¹ | Wattage Label ² |
|---------------|------------|---------------------|-----------------------------------|----------------------------|
| TULS-16L350 | 16 | 350 | 20 | 20 |
| TULS-16L530 | 16 | 530 | 29 | 30 |
| TULS-16L700 | 16 | 700 | 38 | 40 |
| TULS-16L1050 | 16 | 1050 | 56 | 60 |
| TULS-16L1200 | 16 | 1200 | 64 | 60 |

Typical values, rounded.
As per ANSI C136.15-2015. Consult factory for other labeling needs.
Rated for +40°C / +104°F.

| Ordering Code | Total LEDs | System Current (mA) | Average System Watts ¹⁴ | Wattage Label ¹⁵ |
|---------------------------|------------|---------------------|------------------------------------|-----------------------------|
| TULS-32L350 | 32 | 350 | 34 | 30 |
| TULS-32L530 | 32 | 530 | 53 | 50 |
| TULS-32L700 | 32 | 700 | 72 | 70 |
| TULS-32L1050 | 32 | 1050 | 109 | 110 |
| TULS-32L1200 ³ | 32 | 1200 | 123 | 120 |

TULS TunnelView

Tunnel/Underpass luminaire

LED Lumen Values – 2700K

| Ordering Code | DK | | R2M | | R3M | | R3W | | 4 | | 5 | | SN | | CBL | | TW2 | |
|------------------|--------------|----------------|--------------|----------------|--------------|----------------|--------------|----------------|--------------|----------------|--------------|----------------|--------------|----------------|--------------|----------------|--------------|----------------|
| | Lumen Output | Efficacy (LPW) | Lumen Output | Efficacy (LPW) | Lumen Output | Efficacy (LPW) | Lumen Output | Efficacy (LPW) | Lumen Output | Efficacy (LPW) | Lumen Output | Efficacy (LPW) | Lumen Output | Efficacy (LPW) | Lumen Output | Efficacy (LPW) | Lumen Output | Efficacy (LPW) |
| TULS-16L350-827 | 2076 | 105 | 2032 | 103 | 1991 | 101 | 1977 | 100 | 1964 | 100 | 1932 | 98 | 2121 | 108 | 2093 | 106 | 2046 | 104 |
| TULS-16L530-827 | 2998 | 104 | 2936 | 102 | 2875 | 99 | 2856 | 99 | 2837 | 98 | 2788 | 96 | 3064 | 106 | 3021 | 105 | 2954 | 102 |
| TULS-16L700-827 | 3817 | 100 | 3737 | 98 | 3661 | 96 | 3638 | 96 | 3613 | 95 | 3552 | 93 | 3902 | 103 | 3847 | 101 | 3763 | 99 |
| TULS-16L1050-827 | 5326 | 94 | 5216 | 92 | 5109 | 91 | 5077 | 90 | 5040 | 89 | 4956 | 88 | 5444 | 97 | 5369 | 95 | 5251 | 93 |
| TULS-16L1200-827 | 5835 | 92 | 5716 | 90 | 5597 | 88 | 5562 | 87 | 5524 | 87 | 5430 | 85 | 5965 | 94 | 5883 | 92 | 5753 | 90 |
| TULS-32L350-827 | 3942 | 116 | 3861 | 113 | 3781 | 111 | 3757 | 110 | 3731 | 109 | 3669 | 108 | 4030 | 118 | 3975 | 117 | 3886 | 114 |
| TULS-32L530-827 | 5876 | 112 | 5755 | 109 | 5637 | 107 | 5601 | 106 | 5562 | 106 | 5469 | 104 | 6006 | 114 | 5923 | 113 | 5794 | 110 |
| TULS-32L700-827 | 7642 | 106 | 7485 | 104 | 7331 | 102 | 7283 | 101 | 7234 | 101 | 7112 | 99 | 7811 | 109 | 7703 | 107 | 7534 | 105 |
| TULS-32L1050-827 | 10550 | 96 | 10333 | 94 | 10122 | 93 | 10055 | 92 | 9986 | 91 | 9819 | 90 | 10785 | 99 | 10635 | 97 | 10401 | 95 |
| TULS-32L1200-827 | 11620 | 94 | 11381 | 92 | 11148 | 90 | 11075 | 90 | 10999 | 89 | 10813 | 88 | 11878 | 96 | 11714 | 95 | 11457 | 93 |

LED Lumen Values – 3000K

| Ordering Code | DK | | R2M | | R3M | | R3W | | 4 | | 5 | | SN | | CBL | | TW2 | |
|------------------|--------------|----------------|--------------|----------------|--------------|----------------|--------------|----------------|--------------|----------------|--------------|----------------|--------------|----------------|--------------|----------------|--------------|----------------|
| | Lumen Output | Efficacy (LPW) | Lumen Output | Efficacy (LPW) | Lumen Output | Efficacy (LPW) | Lumen Output | Efficacy (LPW) | Lumen Output | Efficacy (LPW) | Lumen Output | Efficacy (LPW) | Lumen Output | Efficacy (LPW) | Lumen Output | Efficacy (LPW) | Lumen Output | Efficacy (LPW) |
| TULS-16L350-730 | 2516 | 128 | 2464 | 125 | 2414 | 123 | 2397 | 122 | 2381 | 121 | 2341 | 119 | 2572 | 131 | 2537 | 129 | 2480 | 126 |
| TULS-16L530-730 | 3633 | 126 | 3558 | 123 | 3484 | 121 | 3462 | 120 | 3439 | 119 | 3380 | 117 | 3714 | 128 | 3662 | 127 | 3581 | 124 |
| TULS-16L700-730 | 4626 | 122 | 4530 | 119 | 4438 | 117 | 4409 | 116 | 4379 | 115 | 4306 | 113 | 4729 | 124 | 4664 | 123 | 4561 | 120 |
| TULS-16L1050-730 | 6455 | 114 | 6323 | 112 | 6193 | 110 | 6153 | 109 | 6110 | 108 | 6008 | 107 | 6599 | 117 | 6508 | 115 | 6365 | 113 |
| TULS-16L1200-730 | 7073 | 111 | 6928 | 109 | 6785 | 107 | 6742 | 106 | 6695 | 105 | 6582 | 103 | 7229 | 113 | 7130 | 112 | 6973 | 109 |
| TULS-32L350-730 | 4778 | 140 | 4680 | 137 | 4584 | 134 | 4554 | 134 | 4523 | 133 | 4447 | 130 | 4885 | 143 | 4817 | 141 | 4710 | 138 |
| TULS-32L530-730 | 7122 | 135 | 6976 | 133 | 6833 | 130 | 6788 | 129 | 6742 | 128 | 6628 | 126 | 7280 | 138 | 7179 | 136 | 7022 | 134 |
| TULS-32L700-730 | 9263 | 129 | 9072 | 126 | 8886 | 124 | 8828 | 123 | 8768 | 122 | 8621 | 120 | 9468 | 132 | 9338 | 130 | 9132 | 127 |
| TULS-32L1050-730 | 12788 | 117 | 12525 | 114 | 12269 | 112 | 12188 | 111 | 12105 | 111 | 11901 | 109 | 13072 | 119 | 12891 | 118 | 12608 | 115 |
| TULS-32L1200-730 | 14086 | 114 | 13794 | 112 | 13512 | 110 | 13425 | 109 | 13332 | 108 | 13108 | 106 | 14398 | 117 | 14199 | 115 | 13887 | 113 |

LED Lumen Values – 4000K

| Ordering Code | DK | | R2M | | R3M | | R3W | | 4 | | 5 | | SN | | CBL | | TW2 | |
|------------------|--------------|----------------|--------------|----------------|--------------|----------------|--------------|----------------|--------------|----------------|--------------|----------------|--------------|----------------|--------------|----------------|--------------|----------------|
| | Lumen Output | Efficacy (LPW) | Lumen Output | Efficacy (LPW) | Lumen Output | Efficacy (LPW) | Lumen Output | Efficacy (LPW) | Lumen Output | Efficacy (LPW) | Lumen Output | Efficacy (LPW) | Lumen Output | Efficacy (LPW) | Lumen Output | Efficacy (LPW) | Lumen Output | Efficacy (LPW) |
| TULS-16L350-740 | 2750 | 140 | 2693 | 137 | 2638 | 134 | 2621 | 133 | 2602 | 132 | 2559 | 130 | 2810 | 143 | 2773 | 141 | 2711 | 138 |
| TULS-16L530-740 | 3971 | 137 | 3889 | 135 | 3808 | 132 | 3784 | 131 | 3758 | 130 | 3695 | 128 | 4059 | 140 | 4003 | 138 | 3915 | 135 |
| TULS-16L700-740 | 5057 | 133 | 4951 | 130 | 4851 | 128 | 4818 | 127 | 4787 | 126 | 4706 | 124 | 5169 | 136 | 5098 | 134 | 4985 | 131 |
| TULS-16L1050-740 | 7055 | 125 | 6911 | 123 | 6769 | 120 | 6725 | 119 | 6678 | 118 | 6567 | 116 | 7213 | 128 | 7112 | 126 | 6957 | 123 |
| TULS-16L1200-740 | 7730 | 121 | 7572 | 119 | 7416 | 116 | 7369 | 116 | 7317 | 115 | 7194 | 113 | 7902 | 124 | 7793 | 122 | 7621 | 120 |
| TULS-32L350-740 | 5223 | 153 | 5115 | 150 | 5010 | 147 | 4977 | 146 | 4944 | 145 | 4860 | 143 | 5339 | 157 | 5265 | 154 | 5148 | 151 |
| TULS-32L530-740 | 7784 | 148 | 7624 | 145 | 7468 | 142 | 7420 | 141 | 7369 | 140 | 7245 | 138 | 7957 | 151 | 7847 | 149 | 7675 | 146 |
| TULS-32L700-740 | 10124 | 141 | 9916 | 138 | 9712 | 135 | 9649 | 134 | 9584 | 133 | 9422 | 131 | 10349 | 144 | 10206 | 142 | 9981 | 139 |
| TULS-32L1050-740 | 13977 | 128 | 13690 | 125 | 13409 | 123 | 13322 | 122 | 13230 | 121 | 13008 | 119 | 14288 | 131 | 14090 | 129 | 13780 | 126 |
| TULS-32L1200-740 | 15396 | 125 | 15077 | 122 | 14769 | 120 | 14673 | 119 | 14572 | 118 | 14327 | 116 | 15737 | 128 | 15520 | 126 | 15178 | 123 |

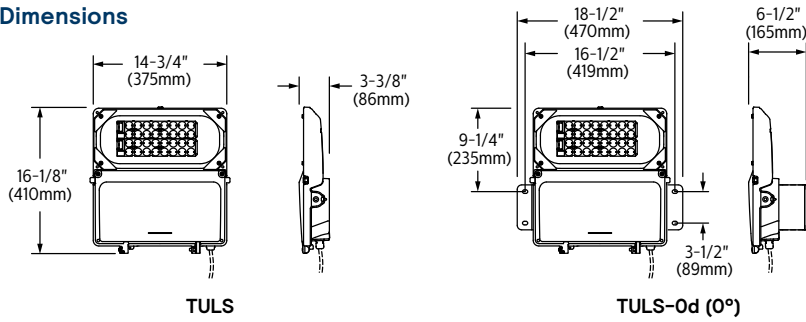
Actual performance may vary due to installation variables including optics, mounting/ceiling height, dirt depreciation, light loss factor, etc.; highly recommended to confirm performance with a layout - contact Applications at outdoorlighting.applications@signify.com. Consult DLC QPL to confirm your specific fixture selection is DLC approved.

Note: Some data may be scaled based on tests of similar but not identical luminaries.

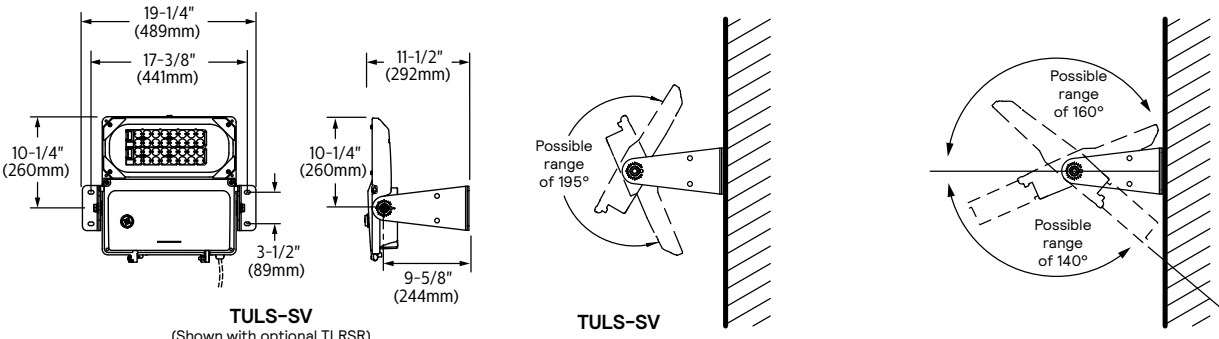
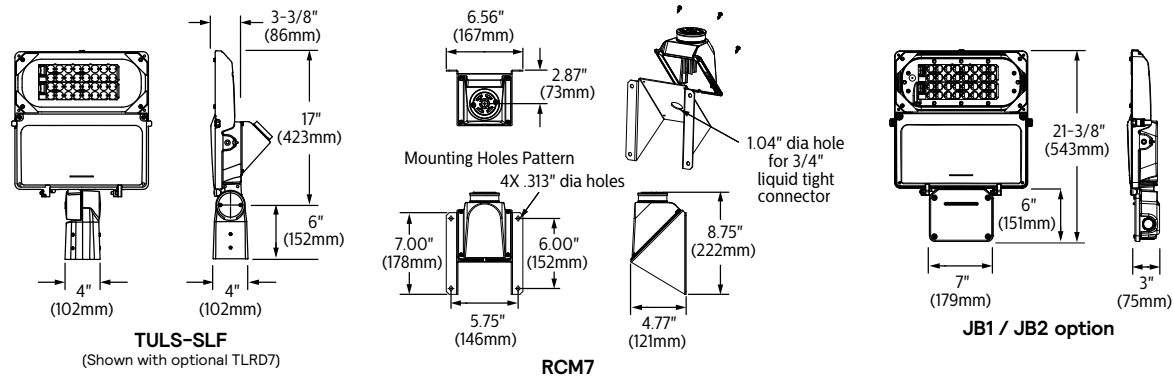
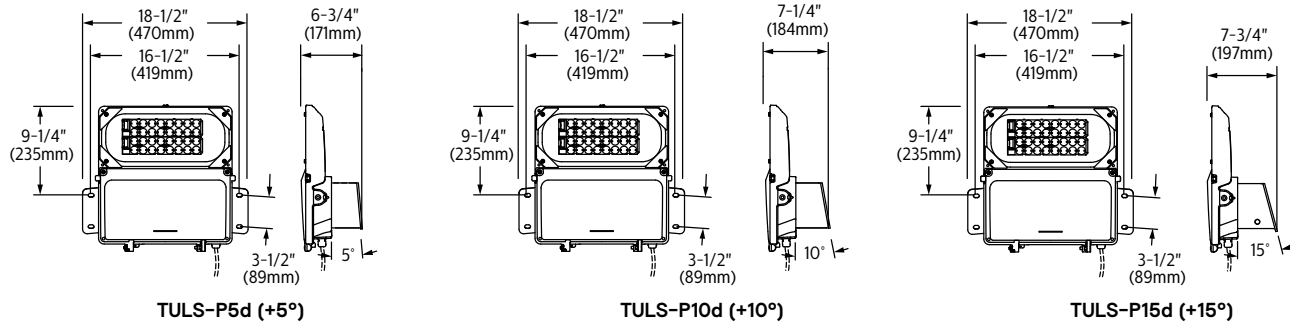
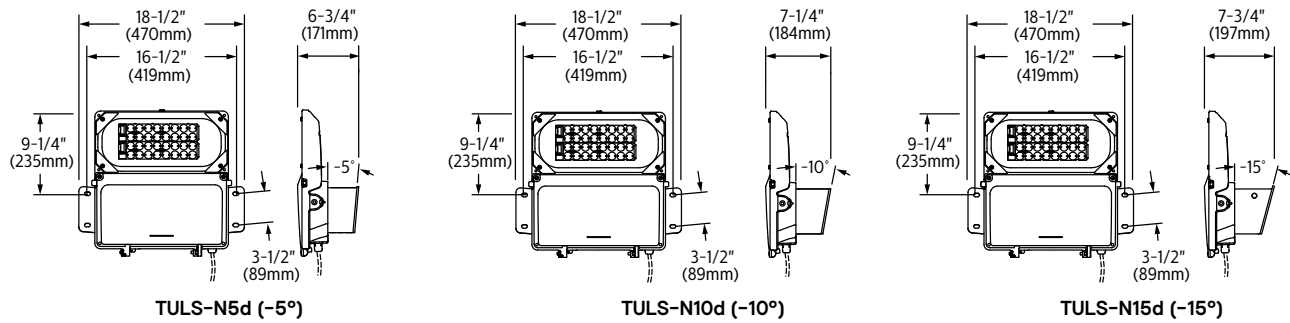
TULS TunnelView

Tunnel/Underpass luminaire

Dimensions



| | Weight | EPA | |
|-----------------|---------|--------------|--------------|
| | | Horizontal | Vertical |
| TULS | 16lbs | 0.46 sq. ft | 2.17 sq. ft |
| TULS-SV | 20lbs | | |
| TULS-SF | 19lbs | | |
| TULS 0-15° | 20lbs | | |
| +JB1/JB2 option | +3.5lbs | +0.15 sq. ft | +0.35 sq. ft |

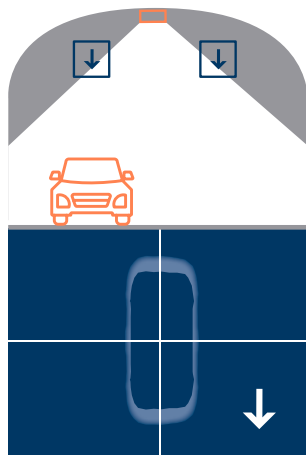


TULS TunnelView

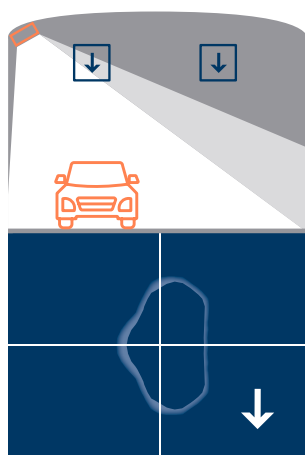
Tunnel/Underpass luminaire

Tunnel Distributions

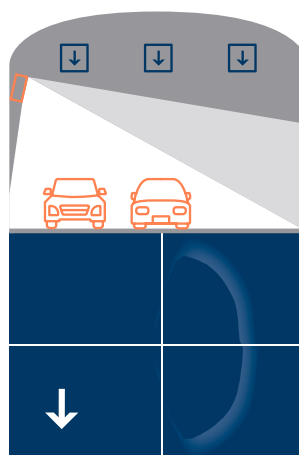
SN
Narrow



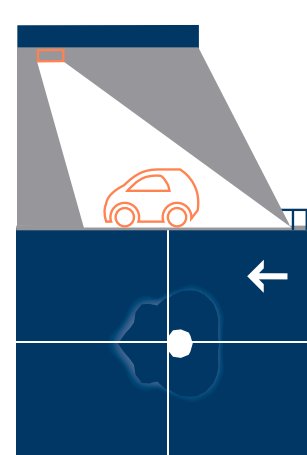
DK
Type II Short



TW2
Type II Wall Mount



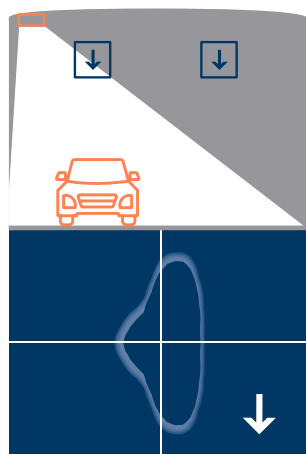
CBL
Ceiling Counter Beam



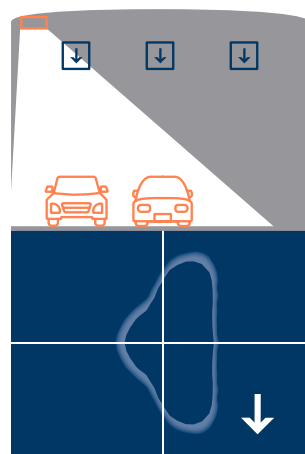
Arrows indicate traffic direction

Underpass Distributions

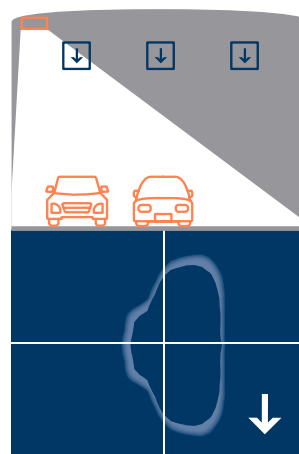
R2M
Type II Medium



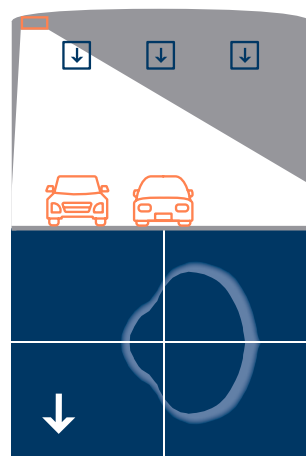
R3M
Type III Medium



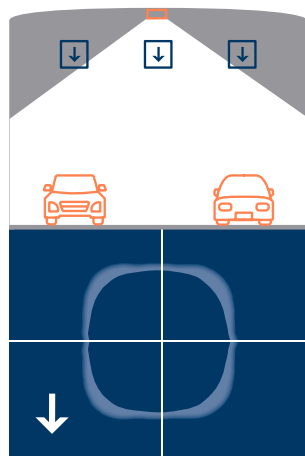
R3W
Type III Wide



4
Type IV



5
Type V



Arrows indicate traffic direction

TULS TunnelView

Tunnel/Underpass luminaire

Specifications

Housing

Made of a low copper die cast Aluminum alloy (A360). Door is complete with hinges and is secured with flanged hex head screws with slotted drive providing access to electronic components and to a terminal block. Door is removable and is secured to prevent accidental dropping or disengagement. Compatible with 1/4" flat blade screwdriver. Complete with ANSI label as per C136.15-2015 to identify wattage and source (included in box). Housing (including electrical compartment) rated IP66 per ANSI C136.37.

Light Engine

Composed of 5 main components: Heat Sink, Lens, LED Module, Optical System, Driver. Electrical components are RoHS compliant. LEDs tested by ISO 17025 2005 accredited lab in accordance with IESNA LM 80 guidelines in compliance with EPA ENERGY STAR, extrapolations in accordance with IESNA TM 21. Metal core board ensures greater heat transfer and longer lifespan.

Lens: Made of soda-lime clear tempered glass flat lens, mechanically assembled and sealed onto the lower part of the heat sink IK09.

LED Module: Composed of high performance white LEDs. Color temperature as per ANSI/NEMA bin 2700 Kelvin nominal (2725 ±145K) CRI 80 min, 3000 Kelvin nominal (3045K +/-175K) or 4000 Kelvin nominal (3985K +/- 275K), CRI 70 Min. 75 Typical. Other CCT/CRI also available, consult factory.

Optical System: Composed of high performance UV stabilized optical grade polymer refractor lenses to achieve desired distribution optimized to get maximum spacing, target lumens and a superior lighting uniformity. System is rated IP66. Performance shall be tested per LM-63, LM-79 and TM-15 (IESNA) certifying its photometric performance.

Heat Sink: Built in the housing, designed to ensure high efficacy and superior cooling by natural convection air flow pattern always close to LEDs and driver optimizing their efficiency and life. Product does not use any cooling device with moving parts (only passive cooling). Entire luminaire is rated for operation in ambient temperature of -40°C / -40°F up to +50°C / +122°F unless otherwise specified, refer to LED Wattages Values Table.

Driver: High power factor of 90% min. Electronic driver, operating range 50/60 Hz. Auto adjusting universal voltage input from 120 to 277 or 347 to 480 VAC rated for both application line to line or line to neutral, Class I, THD of 20% max. The current supplying the LEDs will be reduced by the driver if the driver experiences internal overheating as a protection to the LEDs and the electrical components. Output is protected from short circuits, voltage overload and current overload. Automatic recovery after correction. Standard built in driver surge protection of 2.5kV (min).

Controls: Fixture is compatible with most controls system and can integrate proprietary and third parties control modules directly within the electrical compartment.

Integrated Features

DMG: Dimmable driver 0-10V.

SP1: Surge protection device tested in accordance with ANSI/IEEE C62.45 per ANSI/IEEE C62.41.2 Scenario I Category C High Exposure 10kV/10kA waveforms for Line-Ground, Line-Neutral and Neutral-Ground, and in accordance with DOE MSSLC Model Specification for LED Roadway Luminaires Appendix D Electrical Immunity High test level 10kV/10kA.

Please note that these integrated features always come with Tunnel/Underpass luminaire.

Driver and Luminaire Options

ZD4i: Zhaga-D4i certified fixture. Provides easy integration with ZD4i smart sensors and communication nodes, enabling plug-and-play IOT upgrades (replaces legacy D4i code).

D4id: DALI D4i certified driver. Provides extended DALI-2 functionality with power and data, especially for intra-luminaire DALI systems (drivers-nodes-sensors). Backwards compatible with older DALI standards (replaces legacy DALI code).

DALI: Pre-set driver compatible with the DALI control system.

SRD: Sensor Ready Driver including SR communication (used for dimming and other functionalities), 24V auxiliary supply and a logical signal input (LSI) connected to the NEMA twist lock receptacle and bottom TLRSR receptacle, if these options included/chosen. This configuration is compatible with Interact City controllers.

SP2: 20kV/10kA surge protection device that provides extra protection beyond the SP1 10kV/10kA level.

TLRD7*: Tool Less orientable receptacle with 7 pins enabling dimming, can be

used with a twist lock Interact City or photoelectric cell or a shorting cap. This add-on module is rated IP54.

TLRSR: 4-pin Zhaga Book 18 compliant receptacle designed for sensor and other control system applications. Mounted on underside of the luminaire, shipped with protective cover.

API: Factory Installed NEMA label, ANSI C136.15-2015 compliant. Consult factory for other labeling needs.

F1: Fusing, single (120, 277 or 347VAC) installed in electrical compartment

F2: Fusing, double (208, 240 or 480VAC) installed in electrical compartment

JB1: Junction Box option, with 3 conduct entries, 1" NPT, suitable for through wire and continuous row mounting, complete with 2 aluminum hole plugs

JB2: Junction Box option, with 3 conduct entries, 3/4" NPT, suitable for through wire and continuous row mounting, complete with 2 aluminum hole plugs

NER: Fixture is set-up in factory to receive Nyx Hemera TLAC modules. (Modules can be factory installed as well. Consult factory for details)

OMS: ZD4i certified Outdoor Multi Sensor. Contains multiple sensors to support different smart city applications. Offers standalone and connected functions, see sensor spec sheet for details. Shipped in luminaire box.

TLL: Tool Free access 316 stainless steel latches. **TS1:** 1-3/8" unthreaded mounting hole to accept a 1" NPT liquid tight cord grips connector IP66 rated minimum.

TS1: 1-3/8" unthreaded mounting hole to accept a 1" NPT liquid tight cord grips connector IP66 rated minimum.

TS2: 1-1/8" unthreaded mounting hole to accept a 3/4" NPT liquid tight cord grips connector IP66 rated minimum.

VPA: Vandal Proof hardware to prevent access to internal components, 316 stainless steel, complete with Ceramic primer seal to reduce seizing of the parts, also offers a high resistance to corrosion.

RCM7*: Remote install Tool less orientable receptacle with 7 pins enabling dimming and additional functionality (to be determined), can be used with a twist lock Interact City node or photoelectric cell or a shorting cap, Rated IP54. (wiring to fixture not included)

* Use of photoelectric cell or shorting cap is required to ensure proper illumination.

Luminaire Useful Life

Refer to IES files for energy consumption and delivered lumens for each option. Based on ISTMT in situ thermal testing in accordance with UL1598 and UL8750, System Reliability Tool, Advance data and LED manufacturer LM-80/TM-21 data, expected to reach 100,000 + hours with >L70 lumen maintenance @ 25°C.

Luminaire Useful Life accounts for LED lumen maintenance AND all of these additional factors including: LED life, driver life, PCB substrate, solder joints, on/off cycles, burning hours and corrosion.

Wiring

The connection of the luminaire is done using a terminal block connector 600V, 85A for use with #2-14 AWG. wires from the primary circuit, located inside the housing electrical compartment. Due to the inrush current that occurs with electronic drivers, recommend using a 10Amp time delay fuse to avoid unwanted fuse blowing (false tripping) that can occur with normal or fast acting fuses. Housing is completed with a 7/8" (22mm) diameter unthreaded mounting hole to accept a 1/2 NPT liquid tight cord grips connector IP66 rated minimum. Other sizes available, see options. Wiring, connector, sealing washer and locknut supplied by others.

Mounting Options

All Brackets are 316 Stainless Steel unless otherwise specified.

Fixed brackets (refer to Dimension section for tilt orientation)

SV: Swivel Mount

SLF: Slip Fitter made of low copper Aluminum alloy (A360) for high resistance to corrosion, adjustable knuckle has 5 degree aiming increments with integral interlocking teeth and bolt to secure aiming in place, integral cast-in aiming marks. Fits on a 2-3/8" thru 3.0" O.D. by minimum 3-3/4" long tenon. AWG 16-3 wires exiting 4" through the Slip Fitter. Integral splice compartment for field wiring with cULus Wet Location rated access cover with seal around entire perimeter.

TULS TunnelView

Tunnel/Underpass luminaire

Specifications (continued)

Hardware

All exposed screws shall be 316 stainless steel, complete with Ceramic primer seal to reduce seizing of the parts, also offers a high resistance to corrosion. All seals and sealing devices are made and/or lined with EPDM and/or silicone and/or rubber.

Finish

Color in accordance with the AAMA 2603 standard. Application of polyester powder coat paint (4 mils/100 microns) with ± 1 mils/24 microns of tolerance over anodized pre-finish. The Thermosetting resins provides a discoloration resistant finish in accordance with the ASTM D2244 standard, as well as luster retention in keeping with the ASTM D523 standard and humidity proof in accordance with the ASTM D2247 standard. The surface treatment achieves a minimum of 5000 hours for salt spray resistant finish in accordance with testing performed and per ASTM B117 standard.

LED products manufacturing standard

The electronic components sensitive to electrostatic discharge (ESD) such as light emitting diodes (LEDs) are assembled in compliance with IEC61340-5-1 and ANSI/ESD S20.20 standards so as to eliminate ESD events that could decrease the useful life of the product.

Vibration Resistance

The TULS luminaires meet the ANSI C136.31-2018 American National Standard for Roadway Luminaire Vibration specifications for Bridge/overpass applications.

Certifications and Compliance

cULus Listed for Canada and USA. Luminaire meets DOE and MSSLC Model Specification for LED Roadway Luminaires. Most versions are DesignLights Consortium® qualified, consult DLC QPL to confirm your specific fixture selection is approved. Luminaire complies with or exceeds the following ANSI C136 standards: .2, .3, .10, .14, .15, .22, .25, .27, .31, .37, .41.

Service Tag

Each individual luminaire is uniquely identifiable, thanks to the Signify Service tag application. With a simple scan of a QR code, placed on the inside of the mast door, you gain instant access to the luminaire configuration, making installation and maintenance operations faster and easier, no matter what stage of the luminaire's lifetime. Just download the APP and register your product right away. For more details visit: philips.com/servicetag

Limited Warranty

10-year limited warranty.

See signify.com/warranties for details and restrictions.