

# Day-Brite

by  Signify

## Installation Instructions

Selectable LED Panel - 442100395180

2x2, 2x4



**CAUTION: THE INSTALLATION AND SERVICING OF THIS PRODUCT MUST BE PERFORMED BY A QUALIFIED ELECTRICIAN OR SERVICE PERSONNEL**



*NOTE: This equipment has been tested and found to comply with the limits for a Class B digital device, pursuant to part 15 of the FCC Rules. These limits are designed to provide reasonable protection against harmful interference in a residential installation. This equipment generates, uses and can radiate radio frequency energy and, if not installed and used in accordance with the instructions, may cause harmful interference to radio communications. However, there is no guarantee that interference will not occur in a particular installation. If this equipment does cause harmful interference to radio or television reception, which can be determined by turning the equipment off and on, the user is encouraged to try to correct the interference by one or more of the following measures:*

- Reorient or relocate the receiving antenna.
- Increase the separation between the equipment and receiver.
- Connect the equipment into an outlet on a circuit different from that to which the receiver is connected.
- Consult the dealer or an experienced radio/TV technician for help.

This luminaire is intended for installation in accordance with the National Electrical Code and local regulations. To assure full compliance with local codes and regulations, check with your local electrical inspector before installation.

Retain these instructions for maintenance reference

### WARNING

**RISK OF FIRE, ELECTRICAL SHOCK, CUTS OR OTHER CASUALTY HAZARDS** – Installation and maintenance of this product must be performed by a qualified electrician. This product must be installed in accordance with the applicable installation code by a person familiar with the construction and operation of the product and hazards involved.

**RISK OF FIRE AND ELECTRIC SHOCK** – Make certain power is OFF before starting installation or attempting any maintenance. Disconnect power at fuse or circuit breaker.

**RISK OF FIRE** – Minimum 90°C supply conductors.

**RISK OF BURN** – Disconnect power and allow fixture to cool before handling or servicing.

**RISK OF PERSONAL INJURY** – Due to sharp edged, handle with care.

**DISCLAIMER OF LIABILITY:** Genlyte Solutions assumes no liability for damages or losses of any kind that may arise from the improper, careless, or negligent installation, handling or use of this product.

**NOTICE:** Green ground screw provided in proper location. Do not relocate.

**NOTICE:** Fixture may become damaged and/or unstable if not installed properly.

**Note:** Specifications and dimensions subject to change without notice.

**ATTENTION Receiving Department:** Note actual fixture description of any shortage or noticeable damage on delivery receipt. File claim for common carrier (LTL) directly with carrier. Claims for concealed damage must be filed within 15 days of delivery. All damaged material, complete with original packing must be retained.

# 442100395180 Selectable LED Panel IS

## CCT & Lumen Select Instructions (CCT/LS models only)

### Step 1

On the driver enclosure are located two slide switches, one for CCT and the other for lumen. CCT and lumen options must be selected prior to installation (Figure 1).

### Step 2

To select the CCT, slide the first switch to the desired LED color temp. (3500K, 4000K, 5000K CCT) (Figure 1).

### Step 3

To select the lumen, slide the second switch to the desired lumen pack. (Low, Medium, High) (Figure 1).

## For T-Grid Mounting

### Step 1

Turn off the power at the main fuse/breaker box.

### Step 2

Carefully open carton and remove fixture from packaging.

### Step 3

On the back side of fixture, locate junction box cover and slide to remove it (see Figure 2).

### Step 4

Remove appropriate knockout(s) for power supply wiring.

### Step 5

Pass fixture through the grid at a 45 degree angle and lay fixture into the grid (Figure 3).

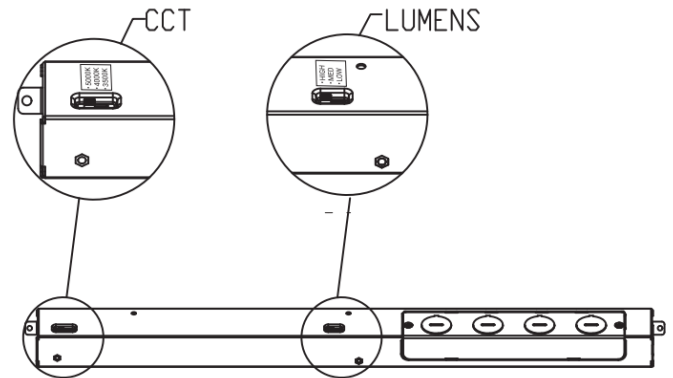


Figure 1

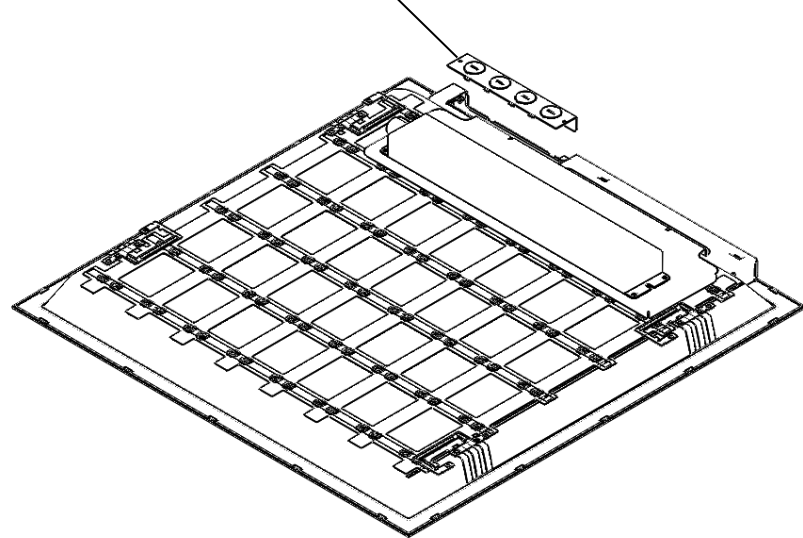
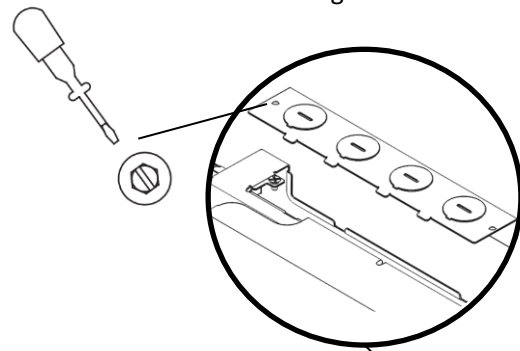


Figure 2

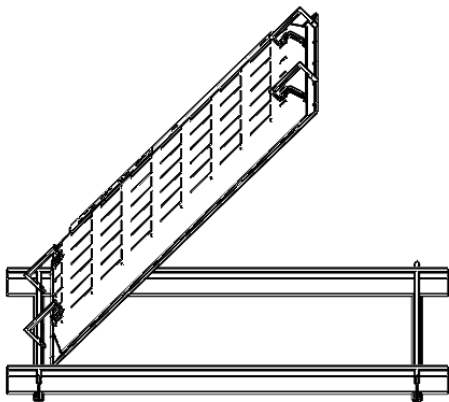


Figure 3

### Step 6

Grid clips are provided for additional retention to ceiling system. Orient 4 tabs on back of fixture over T-GRID by vending tabs up 90 degrees perpendicular to back of fixture. Bend screws tabs 90 degrees from grid clip and then 90 degrees toward T-GRID frame. For additional securement, drive a self drilling screw (not provided) through the screw tab and into the T-GRID (Figure 4).

*Note: Fixture weights are on the next table. Ensure grid location is rated for fixture weight before moving to next step. If unsure, use cable to support fixture to appropriate support beam above fixture using the circular holes in the corner tabs (Figure 3).*

| 2" x 2"        | 1" x 4"        | 2" x 4"         |
|----------------|----------------|-----------------|
| 4.8lbs (2.2kg) | 5.0lbs (2.3kg) | 9.24lbs (4.2kg) |

# 442100395180 Selectable LED Panel IS

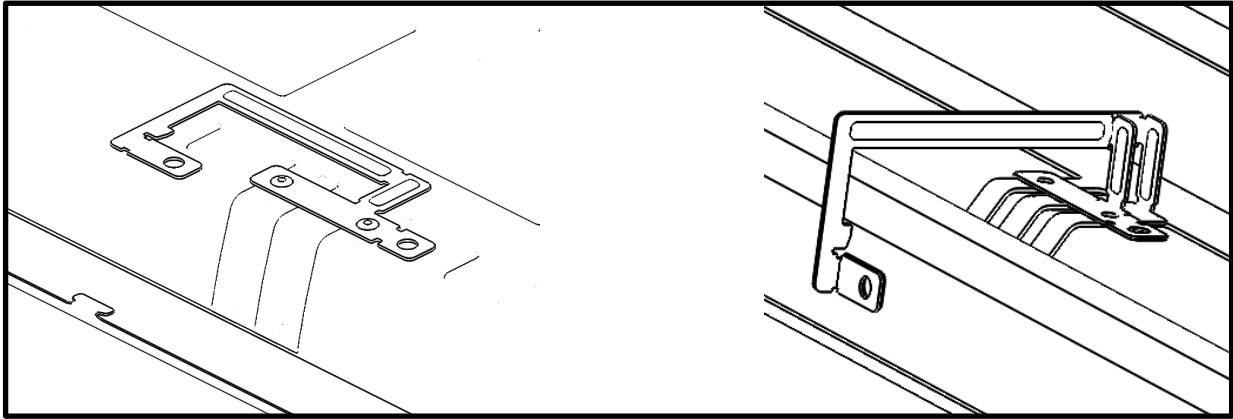


Figure 4

## Step 7

Use the wire nuts to attach the ground wire to the ground supply wire, the black (line) wire to the black supply wire, and the White (neutral) wire to the White supply wire (Figure 5).

*Note: This fixture is compatible with 0-10V dimming. If installing dimming wires follow your dimmer instructions for wiring to the violet (Dim +) and Pink (Dim -) leads.*

*This fixture is compatible with battery backup systems including the FPEMLED10RM. If using a compatible field-installed battery backup system, remove driver cover pplate to acces LED load wires and follow battery backup wiring instructions (Figure 5). Ensure driver cover plate is reinstalled after wiring.*

## Step 8

Tuck all wires and wire nuts into the fixture junction box, replace electrical acces plate, and snap securely into place.

## Step 9

To clean fixture, use a small amount of water on a cloth and wipe the lens. Do not use chemicals on the lens as this could cause damage.

## Step 10

Turn breaker on. Use wall switch or other control method to verify light turns on.

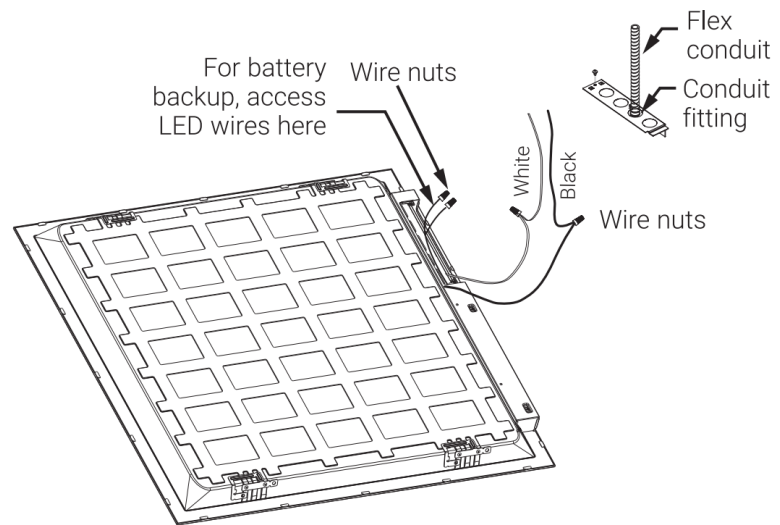


Figure 5

