

**LyteProfile downlights and wall washers** provide a perfect balance of functionality with glare control. The robust and versatile UniFrame frame-in kit makes changes and updates easy to manage and install. High optical efficiency reinforced with Accurender technology provides an optimum balance of performance and quality of light. Ideal for use in a variety of applications including open office, institutional, healthcare, and retail.

**Standard luminaire:** Complete luminaire = Frame + Engine + Trim + Accessories (optional)

**Flex install luminaire:** Complete luminaires = Engine (F) + Trim + Accessories (optional)

Project: \_\_\_\_\_  
 Location: \_\_\_\_\_  
 Cat.No: \_\_\_\_\_  
 Type: \_\_\_\_\_  
 Qty: \_\_\_\_\_  
 Notes: \_\_\_\_\_

### Frame

Example: 4SN

Series	Aperture	Installation	Options
<b>4</b>	<b>S</b>		
4 Uniframe 4" Non-IC	S Square	N New construction (Non-IC)	– Universal 120/277/347V <b>EM6</b> Emergency, 6W Self-Test/Self-Diagnostic (not available for BAC) <sup>1</sup> <b>LC</b> Chicago Plenum <sup>2</sup>
		R Remodeler (Non-IC)	– Universal 120/277/347V
		A AirSeal (IC)	– Universal 120/277/347V
			<b>BAC</b> Meets the requirements of the Buy American Act of 1933 (BAA) <sup>12,13</sup> <b>BABAF</b> Meets the requirements of the Build America Buy America Act for projects funded through FHWA that are obligated before October 1, 2026, and meets the Buy America preferences for FTA <sup>12,13</sup>

### Engine / Trim

Example: P4SDL20935CDZ10U

Series	Style	Lumen	CRI/CCT	Beam	Reflector	Flange
<b>P4S</b>						
P4S LyteProfile 4" square downlight	DL Downlight	05 500lm	927 90 CRI/2700K	M Medium	CL Specular clear	– White (matte)
	LW Lensed Wall Wash <sup>3</sup>	10 1000lm 15 1500lm 20 2000lm <sup>4</sup> 25 2500lm <sup>4</sup> 30 3000lm <sup>5</sup> 35 3500lm <sup>5</sup> 40 4000lm <sup>5</sup>	930 90 CRI/3000K 935 90 CRI/3500K 940 90 CRI/4000K	W Wide <sup>3</sup>	CC Comfort clear CD Comfort clear diffuse	B Black (matte) <sup>6</sup> A Aluminum (painted)
					WH White (matte) BK Black (matte)	– White (matte) B Black (matte) <sup>6</sup>
Dimming / Options			Voltage		Options	
Z10 0-10V 1% Z10D20 0-10V 1% (dim to Off) (up to 3500lm)			U 120/277V 3 347V (Z10 only) (up to 3000lm) <sup>7</sup>		– None R Retrofit <sup>9</sup> (not compatible with IEM6) F Flex install (consult factory for ETO) <sup>10</sup>	
L1 Lutron LDE1 EcoSystem 1% (500lm not available) RA Integral Interact Pro RF sensor (up to 2500lm) <sup>8</sup>			U 120/277V		IEM6 Trim mounted EM test switch (for DL style only) BAC Meets the requirements of the Buy American Act of 1933 (BAA) <sup>12,13</sup> BABAF Meets the requirements of the Build America Buy America Act for projects funded through FHWA that are obligated before October 1, 2026, and meets the Buy America preferences for FTA <sup>12,13</sup>	
E Forward & Reverse Phase (up to 2500lm)			1 120V			

### Accessories<sup>12</sup>

SWCS	Interact Ready System Bridge Accessory with integral occupancy and daylight sensor (compatible with all 0-10V options, see <a href="#">SWCS spec sheet</a> ) <sup>11</sup>
CAEM6	Field installable Bodine BSL6 6W battery pack with self-test/self-diagnostic for use with new construction frames, 120-277V
4RNSR	4" round/square non-IC frame with Flex (F) light engine (provides mechanical support for rough-in construction only, no junction box)
LCEM6	Field installable Bodine BSL06 emergency battery pack (for Flex (F) light engine only, includes switch mounting plate)
T347-75VA	347:120V step-down transformer for non-IC (N) frame only (see page 2 for details)

\*See page 2 for footnotes.

# P4S LyteProfile 4"

## Square Downlight & Lensed Wall Wash

### Footnotes

- Emergency (EM6) frame is compatible with reflector mounted test switch when light engine is ordered with IEM6 (not compatible w/347V).
- Chicago Plenum (LC) is not available for Buy American Compliant (BAC) configs.
- Lensed wall wash (LW) style only available with Wide (W) beam (2500lm max).
- Not available with AirSeal (A) frame.
- Not available with AirSeal (A) frame. Available with CL, CC, and CD reflector finishes only.
- Consult factory with ETO request for black (B) flange for all styles.
- The 500lm (05) option is not available.
- Linear driver profile. See dimensional data following. Specify only with non-IC (N) frame, not for use with LC or EM6 options.
- Retrofits select legacy Lightolier luminaires. See pages 2 and 6 for details.
- Flex install requires light engine & trim only (up to 4000lm only). Accessory frames available. Not compatible with standard frames and associated options. Not available with Interact (RA) dimming and IEM6 trim.
- Requires IRT9015 IR remote and Interact Builder App for commissioning (requires above ceiling access).
- BAA compliance requires that BAC option be selected for each of frame, engine/trim. BABA compliance requires that BABAF option be selected for each of frame, engine/trim. Frame and engine will be ordered/shipped together; trim will be ordered/shipped separately. Accessories (optional) are not currently BAA-compliant.
- Failure to properly select the "BAC" suffix could result in you receiving product that is not BAA compliant product with no recourse for an RMA or refund. This BAC designation hereunder does not address (i) the applicability of, or availability of a waiver under, the Trade Agreements Act, or (ii) the "Buy America" domestic content requirements imposed on states, localities, and other non-federal entities as a condition of receiving funds administered by the Department of Transportation or other federal agencies. Genlyte's products with a BAC option code designation are manufactured in the US and utilize a BAA COTS exemption rule for compliance. "BABAF" designates the product will meet the standards set by FHWA for BABA and FTA for Buy America. As noted, for FHWA BABA compliance, applicable projects must be

### Features

#### Optics

- Provides a 60° cutoff (physical and reflected)
- Available in wide (85°) and medium (70°) beam options.
- Spun and anodized reflectors available in specular (clear), semi-specular (comfort clear and diffuse finishes. Also available in white and black painted finishes.

#### Quality of light

- Consult factory for RAL finishes
- Color consistency: 2 SDCM
- 90 CRI minimum (Accurender)

### Construction (New Construction)

- Galvanized stamped steel for dry / plaster ceilings.
- Pre-installed telescoping mounting bars (13"-24")
- Frame accommodates C- channel, black iron, and 3/4" EMT for mounting distances greater than 24" between joists.
- Manufactured from 20 gage galvanized steel construction with rolled edge aperture to guide cutting tools for perfect hole cutting.

Max ceiling thickness is 1.5" (38 mm).

### Patented install Mounting frame

- Pre-installed mounting bars allow for fast and tool-less install into T-grid & hat channel ceilings
- Close-cut aperture design eliminates an undesired gap between ceiling material and reflector.
- Simple plug-and-play connection between frame and light engine from below the ceiling allows for:
  - Easy upgrades
  - Technology changes
  - Repairs and troubleshooting

### Retrofit

- Easily updates legacy LyteProfile LED downlights to the latest technology. Includes light engine, trim, and driver mounted on cover plate that mounts to previous generations of LyteProfile LED luminaires. Order with R option code at end of light engine/trim catalog number.

### Dimming

- Advance 0-10v 1% (Z10) logarithmic curve is standard. Specify D20 for factory-set dim-to-off function (consult factory for linear dimming curve).
- Lutron LDE1 (L1) EcoSystem 1%
- Electronic low voltage (E) offers forward or reverse phase dimming

### Light engine

- Quick connect power pack allow for easy installation and replacement from below ceiling with no need for additional wiring. This allows for:
  - Frame and ceiling installation to be performed while still finalizing details such as lumen packages, CCT and control type.
  - Easy replacement of electronics at end of life with minimal wasted material and labor required.
- Ease and upgradability of technology.
- Lumen Maintenance: L80 at 60,000 hours.
- 347V light engines are Z10 dimming only and include dedicated 347V driver. For 347V non-Z10 dimming, order T347-75VA field-installed step-down transformer accessory.

### Flex engine (F)

- Frame-optional engine suited for new construction, remodel, and retrofit applications.
- 4RNSR new construction frame accessory available as required to support ceiling construction.
- All wiring is done on the integral j-box to the engine.

### Emergency

- Bodine BSL6 6W battery pack with self-test/diagnostic functionality. Factory or field mounted to frame.
- For trim with integral emergency test switch, order light engine with IEM6 option (ex: P4SDL20935WCDZ10UIEM6). DL style only.
- For remote ceiling mounted test switch, order standard light engine (ex: P4SDL20935CDZ10U). Optional accessory ceiling mounting plate available (CAEM6TSCP) for remote mounted test switch.
- Refer to Calculite-LyteProfile-EasyLyte Emergency Battery Pack specification sheet for more details.

### Options and Accessories

**Field Installed Emergency:** Refer to Calculite-LyteProfile-EasyLyte Emergency Battery Pack specification sheet for more details.

- CAEM6:** Field install EM6 kit with Bodine BSL6 6W battery pack with self-test/self-diagnostic, mounts to new construction frames. Includes remote ceiling plate for test switch. To mount test switch to trim for new construction frame, order light engine with IEM6 option code (e.g. P4SDL20935WCDZ10UIEM6).

**CAEM6TSCP:** Ceiling cover plate for remote mounted EM6 test switch. 1/2" (25mm) hole, 4 3/8" (109mm) x 2 3/4" (69mm) rectangular. Includes two mounting screws.

**T347-75VA:** Field installable 347:120V 75VA step-down transformer, attaches to knock out on frame junction box, for use with non-IC (N) or remodel (R) frames.

**SWCS:** Interact Ready System Bridge Accessory. Requires IRT9015 IR remote and Interact Pro App for commissioning. Refer to [SWCS spec sheet](#) for details.

### ENERGY STAR® exceptions

- 500lm configurations
- Black finishes

### Labels and Listings

- cULus listed for wet locations
- CCEA (frames with \*LC suffix)
- ENERGY STAR® certified
- RoHS certified
- Red List Declare label certified, ID SIG-0021 ([View full Declare label](#))

### Warranty

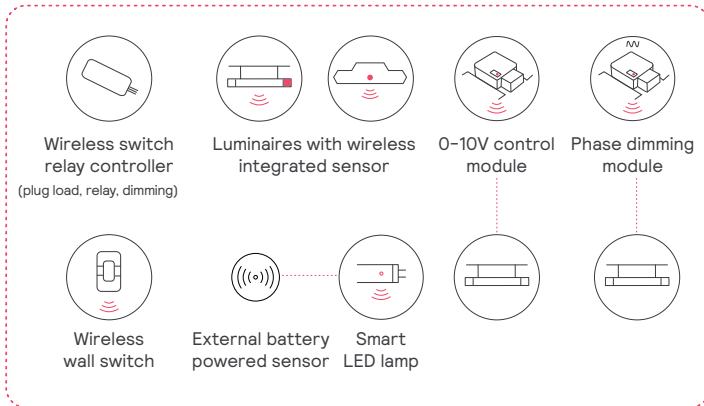


5 year limited warranty  
Visit [Signify.com/warranties](http://Signify.com/warranties) for more information on Signify's standard 5-year limited warranty on complete luminaire systems.

# P4S LyteProfile 4"

Square Downlight & Lensed Wall Wash

## Signify interact Easy. Effective. Smart.



### Meet Interact

A smart, wireless luminaire level lighting control system (LLLC). A complete solution that combines modern and intuitive technologies for easy installation and specification.

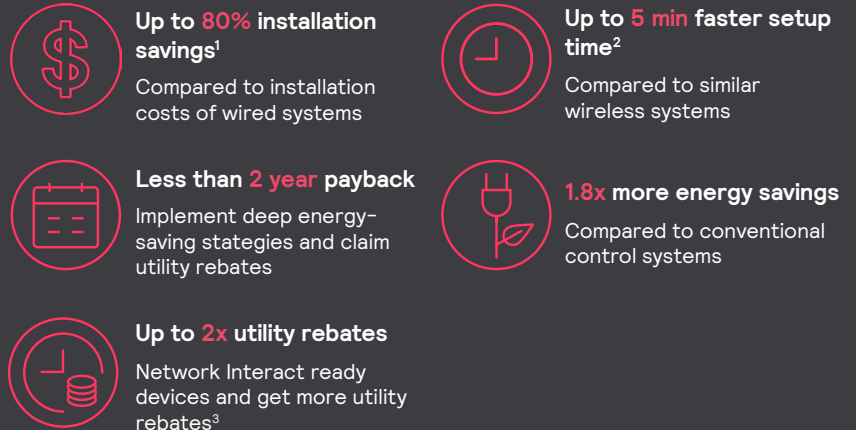
- Works with or without gateway
- **No** IT
- **No** light point restrictions
- **Up to 75%** out of the box savings
- **Fast & easy**
- **Code & rebates** compliant

### Capabilities



\*Grouping, zoning, dimming, high-end trimming, scenes, scheduling, manual controls

### Benefits



1. Versus legacy systems based on installer interviews
2. Based on installer analysis done by Signify for a typical multi-zone space
3. Utility programs across US

### Just lights and an App



1. Install the Interact ready fixtures with embedded smart sensor
2. Install the wireless wall switch
3. Configure your setup with the Interact App
4. Leverage the IRT9015 remote accessory to accelerate your setup process
5. Optionally add a gateway for insights and management

### Learn more about Interact:

Interact includes an app, a web portal, and a comprehensive range of Interact ready wireless luminaires, lamps, retrofit kits, and control devices like switches and sensors that operate within the same system.



# P4S LyteProfile 4"

## Square Downlight & Lensed Wall Wash

### Controls Options\*

#### Interact radio node for Standalone, Gateway & Gateway + IoT tiers (RA)

RA sensor option is a connected radio node supporting wireless mesh connectivity.

Compatible with standalone and gateway modes of Interact.

#### Interact occupancy & daylight sensor for Standalone, Gateway & Gateway + IoT tiers (CS)

The CS sensor option is a connected sensor with built-in occupancy and daylight detection, along with wireless mesh connectivity.

Compatible with standalone and gateway modes of Interact.

#### Interact advanced sensor bundle for Gateway + IoT tier (SB)

SB sensor option offers occupancy and daylight sensing and supports advanced IoT capabilities, such as desk-level temperature and humidity monitoring, noise classification, and Bluetooth Low Energy (BLE) beacon functionality.

Setup requires a compatible gateway and internet connectivity.

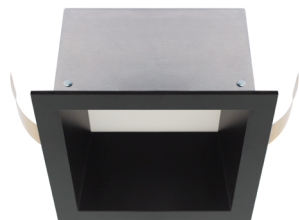
With compatible gateway and software analytics, SB sensor option enables greater building efficiency, seamless system integration, and optimized space utilization through occupancy and environmental insights.

Interact for intelligent buildings sensor option codes across Genlyte product lines\*

	Sensor part #	Daybrite	Ledalite	Lightolier
Zigbee + Bluetooth	SC100B	RADIO	RA	RA
Zigbee + Bluetooth + Sensing	SC200B	SWZCS	CS	SBA or SWCS accessory
Zigbee + Bluetooth + Sensing + Environmental data	SC1500	IAOSB	SB	SBA or SWCS accessory
Zigbee + Highbay + Bluetooth + Sensing	SNH210 IA	SWZCSH	-	-

# P4S LyteProfile 4"

## Square Downlight & Lensed Wall Wash



### AccuRender Technology (CRI 90+)

The right light brings colors to life. Our new AccuRender technology helps ensure colors are rendered more accurately and consistently, while doing so as efficiently as CRI 80 products.



**Standard CRI 80**  
Good color rendering and high efficacy



**Standard CRI 90**  
Better color rendering and low efficacy



**AccuRender**  
Best color rendering, color preference and high efficacy

#### Enjoy design flexibility

Full range of products and options:

- Available soon in across Lightolier portfolio for application flexibility
- Multiple color temperatures (CCTs) and lumen packages offered

#### Promote savings

High efficacy, with no penalty:

- Energy efficacy compares well to conventional 80 CRI
- Up to 25% more energy savings vs competitor 90 CRI<sup>1</sup>
- Helps meet Title 24 requirements

#### Show your true colors

High color rendering:

- True to life colors to help energize your environment and render better flesh tones critical for healthcare hospitality and retail applications.
- R<sub>a</sub> up to 94 CRI    R<sub>r</sub> up to 92 TM-30
- R<sub>g</sub> up to 67 CRI    R<sub>r,h1</sub> up to 91 TM-30
- G<sub>s</sub> up to 99 CRI    R<sub>g</sub> up to 100 TM-30
- C<sub>9</sub> up to 94 CRI    R<sub>cs,h1</sub> up to -5% TM-30

#### Achieve color balance

Best in class color consistency:

- Promote aesthetic harmony in your space with ≤ 2 SDCM

#### Electrical (Input frequency of 50/60Hz)

Product	Input Volts	Input Current (A)	Drive Current (A)	Input Power (W)	LED Power	THD Factor @ Max Load	Power Factor @ Max Load
P4SDL05_Z10U/3	120V	0.054A	0.15A	6.5W	5.1W	<10%	>0.9
	277V	0.024A	0.15A	6.7W	5.1W	<30%	>0.9
	347V	0.022A	0.15A	7.5W	5.1W	<30%	>0.9
P4SDL10_Z10U/3	120V	0.087A	0.25A	10.4W	8.5W	<10%	>0.9
	277V	0.039A	0.25A	10.7W	8.5W	<20%	>0.9
	347V	0.035A	0.25A	12.1W	8.5W	<30%	>0.9
P4SDL15_Z10U/3	120V	0.126A	0.37A	15.1W	12.6W	<10%	>0.9
	277V	0.055A	0.37A	15.2W	12.6W	<10%	>0.9
	347V	0.050A	0.37A	17.2W	12.6W	<25%	>0.9
P4SDL20_Z10U/3	120V	0.168A	0.50A	20.1W	17.0W	<10%	>0.9
	277V	0.073A	0.50A	20.2W	17.0W	<10%	>0.9
	347V	0.064A	0.50A	22.4W	17.0W	<20%	>0.9
P4SDL25_Z10U/3	120V	0.210A	0.63A	25.2W	21.4W	<10%	>0.9
	277V	0.092A	0.63A	25.3W	21.4W	<10%	>0.9
	347V	0.077A	0.63A	26.8W	21.4W	<20%	>0.9
P4SDL30_Z10U/3	120V	0.252A	0.76A	30.2W	25.7W	<10%	>0.9
	277V	0.110A	0.76A	30.4W	25.7W	<10%	>0.9
	347V	0.092A	0.76A	32.1W	25.7W	<20%	>0.9
P4SDL35_Z10U/3	120V	0.298A	0.91A	35.8W	30.8W	<10%	>0.9
	277V	0.129A	0.91A	35.8W	30.8W	<10%	>0.9
	347V	0.106A	0.91A	36.6W	30.8W	<20%	>0.9
P4SDL40_Z10U/3	120V	0.321A	0.98A	38.5W	33.2W	<10%	>0.9
	277V	0.139A	0.98A	38.5W	33.2W	<10%	>0.9
	347V	0.114A	0.98A	39.5W	33.2W	<20%	>0.9

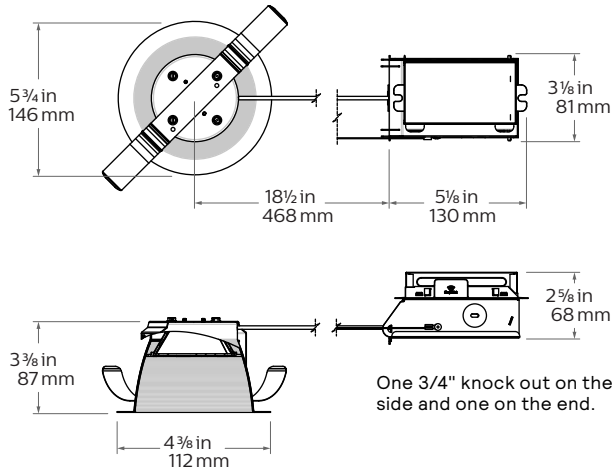


# P4S LyteProfile 4"

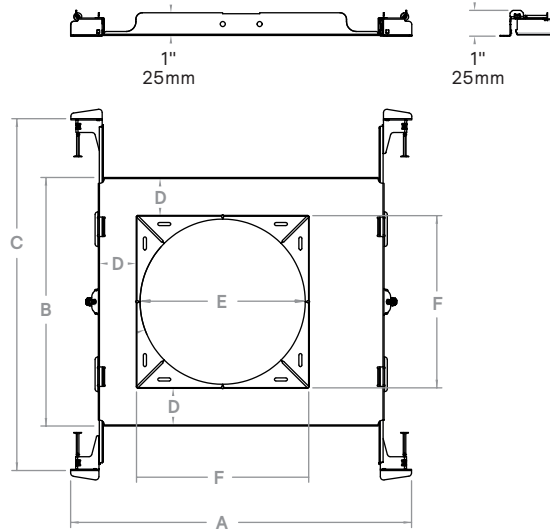
## Square Downlight & Lensed Wall Wash

### Flex Install (F)

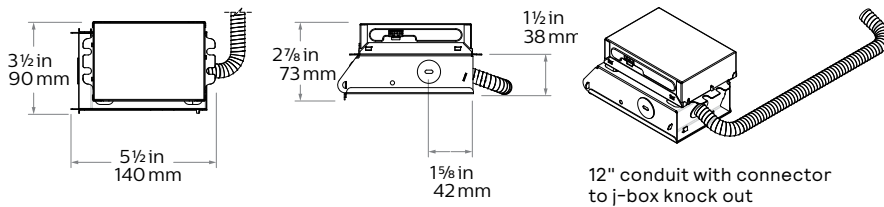
(Flex architecture available as ETO, consult factory)



### 4RNSR Flex install non-IC frame



### LCEM6 Flex install (F) engine only



A	B	C	D	E	F
13 1/4"	9 5/8"	13 3/8"	1 1/2"	6 3/8"	5 5/8"
334mm	244mm	345mm	37mm	162mm	169mm

### Reflectors



**Specular clear (CL):** Most specular and most efficient finish, delivers maximum photometric performance but can produce a mirror image effect of the interior space.



**Comfort clear (CC):** Semi-specular finish that softens the light at the source of the reflector and creates a subtle, even luminance from the reflector cone.



**Comfort clear diffuse (CD):** Slightly diffuse clear finish, which eliminates iridescence and reduces the mirror image effect inherent with a specular finish.



**White (-): (matte)** Brightest aperture when illuminated and provides the smoothest transition to most ceilings when off (white is only available with a white flange).



**Black (BK):** Painted matte finish that provides the lowest aperture brightness possible and reduces source identification in a ceiling significantly.

### Flanges



**White (-): (matte)** Provides the smoothest transition to ceilings when off.



**Black (BK):** Painted matte finish that provides the lowest aperture brightness possible.



**Aluminum (A):** Painted aluminum finish to more closely match visual appearance of anodized inner trim surface.

# P4S LyteProfile 4"

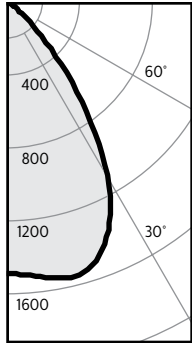
## Square Downlight & Lensed Wall Wash

### Adjustment Factors

Finish	CRI/CCT	Lumens	
CL = 100%	90CRI 4000K = 106%	4000lm = 200%	2000lm = 100%
CC = 86%	90CRI 3500K = 104%	3500lm = 175%	1500lm = 75%
CD = 91%	90CRI 3000K = 100%	3000lm = 150%	1000lm = 50%
WH = 90%	90CRI 2700K = 96%	2500lm = 125%	500lm = 25%
BK = 54%			

### Downlight, Medium beam, 20W LED, 90CRI, 3500K

#### Candela Curves



#### Zonal lumens & percentages

Zone	Lumens	%Luminaire	Angle	Mean CP	Lms
0			0	1487	
5			5	1500	
10			10	1534	144
0-30	1180	60.7%	15	1542	
0-40	1678	86.3%	20	1477	433
0-60	1942	99.8%	25	1329	
0-90	1945	100.0%	30	1097	603
			35	806	
			40	508	498
			45	268	
			50	122	216
			55	49	
			60	12	48
			65	2	
			70	1	3
			75	0	
			80	0	0
			85	0	
			90	0	0

**Report!:**  
**P4SDL20935MCLZ10U.ies**  
 Output Lms: 1945lms  
 Input Watts<sup>2</sup>: 20.1W  
 Efficacy: 96.8lm/w  
 CCT<sup>3</sup>: 3500K  
 CRI: 90min  
 Beam Angle: 71°  
 Spacing Crit.: 1.14

#### Single unit data

Height to lighted plane	Initial center beam foot-candles	Beam dia. (ft)*
5'	59	5.7'
6'	41	6.8'
7'	30	8.0'
8'	23	9.1'
9'	18	10.3'

\* Beam diameter is where foot-candles drop to 50% of maximum.

#### Multiple unit data - RCR 2

Spacing on center	Initial center beam foot-candles	Watts per sq.ft.
5'	88.0	0.89
6'	58.0	0.58
7'	41.0	0.42
8'	34.0	0.35
9'	27.0	0.28

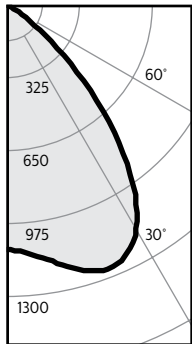
38'x38'x10' Room, Workplane 2.5' above floor, 80/50/20% Reflectances

#### Coefficients of utilization

Ceiling	80%				70%		50%		30%		0%	
	70	50	30	10	50	10	50	10	50	10	0	
Wall	70	50	30	10	50	10	50	10	50	10	0	
RCR	Zonal cavity method - Effective floor reflectance = 20%											
Room Cavity Ratio	0	119	119	119	119	116	116	111	111	106	106	100
	1	113	110	108	106	108	104	104	101	100	98	93
	2	107	102	98	95	101	94	97	91	94	90	86
	3	102	95	90	86	94	85	91	84	88	82	79
	4	96	88	82	78	87	78	85	77	83	76	73
	5	91	82	76	72	81	71	79	71	78	70	68
	6	86	77	70	66	76	66	74	65	73	65	63
	7	81	72	65	61	71	61	70	60	68	60	58
	8	77	67	61	57	67	56	65	56	64	56	54
	9	73	63	57	53	63	53	62	52	61	52	51
	10	70	59	53	49	59	49	58	49	57	49	47

### Downlight, Wide beam, 20W LED, 90CRI, 3500K

#### Candela Curves



#### Zonal lumens & percentages

Zone	Lumens	%Luminaire	Angle	Mean CP	Lms
0			0	1089	
5			5	1108	
10			10	1158	107
0-30	1019	48.5%	15	1218	
0-40	1621	77.1%	20	1255	346
0-60	2097	99.7%	25	1237	
0-90	2103	100.0%	30	1150	566
			35	977	
			40	743	602
			45	484	
			50	257	373
			55	104	
			60	24	103
			65	3	
			70	1	5
			75	0	
			80	0	1
			85	0	
			90	0	0

**Report!:**  
**P4SDL20935WCLZ10U.ies**  
 Output Lms: 2103lms  
 Input Watts<sup>2</sup>: 20.1W  
 Efficacy: 104.6lm/w  
 CCT<sup>3</sup>: 3500K  
 CRI: 90min  
 Beam Angle: 80°  
 Spacing Crit.: 1.4

#### Single unit data

Height to lighted plane	Initial center beam foot-candles	Beam dia. (ft)*
5'	44	7.0'
6'	30	8.4'
7'	22	9.8'
8'	17	11.2'
9'	13	12.6'

\* Beam diameter is where foot-candles drop to 50% of maximum.

#### Multiple unit data - RCR 2

Spacing on center	Initial center beam foot-candles	Watts per sq.ft.
5'	93.0	0.89
6'	61.0	0.58
7'	44.0	0.42
8'	36.0	0.35
9'	29.0	0.28

38'x38'x10' Room, Workplane 2.5' above floor, 80/50/20% Reflectances

#### Coefficients of utilization

Ceiling	80%				70%		50%		30%		0%	
	70	50	30	10	50	10	50	10	50	10	0	
Wall	70	50	30	10	50	10	50	10	50	10	0	
RCR	Zonal cavity method - Effective floor reflectance = 20%											
Room Cavity Ratio	0	119	119	119	119	116	116	111	111	106	106	100
	1	114	111	109	106	109	105	105	101	101	98	94
	2	108	103	100	96	102	95	99	93	96	91	88
	3	103	97	92	88	95	87	93	86	90	85	82
	4	98	91	85	81	89	81	87	80	85	79	76
	5	93	85	79	75	84	75	82	74	81	73	71
	6	89	80	74	70	79	70	78	69	76	69	67
	7	84	75	69	65	75	65	73	65	72	64	63
	8	80	71	65	61	71	61	69	61	68	61	59
	9	77	67	61	58	67	57	66	57	65	57	56
	10	73	64	58	54	63	54	63	54	62	54	53

1. Tested using absolute photometry as specified in LM79: IESNA Approved Method for the Electrical and Photometric Measurements of Solid-State Lighting Products.
2. Wattage: controlled to within 5%
3. Correlated Color Temperature: within specs as defined in ANSI\_NEMA\_ANSI C78.377-2008: Specifications for the Chromaticity of Solid State Lighting Products.

# P4S LyteProfile 4"

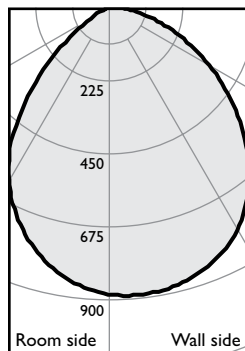
## Square Downlight & Lensed Wall Wash

### Adjustment Factors

Finish	CRI/CCT	Lumens	
CL = 100%	90CRI 4000K = 106%	4000lm = 200%	2000lm = 100%
CC = 86%	90CRI 3500K = 104%	3500lm = 175%	1500lm = 75%
CD = 91%	90CRI 3000K = 100%	3000lm = 150%	1000lm = 50%
WH = 90%	90CRI 2700K = 96%	2500lm = 125%	500lm = 25%
BK = 54%			

### Lensed Wall Wash, Wide beam, 19W LED, 90CRI, 3000K

#### Candela Curve



#### Report: P4SLW20930CLZ10U.IES

Output Lms: 1966lms  
 Input Watts<sup>2</sup>: 19.0W  
 Efficacy: 103.5lm/w  
 CCT<sup>3</sup>: 3000K  
 CRI: 90min

#### Multiple unit data Footcandles on wall

Distance from ceiling in feet	2' from wall		
	2' on ctr.		
1	68	69	68
2	94	96	94
3	74	77	74
4	51	54	51
5	35	37	35
6	25	26	25
7	18	19	18
8	14	14	14
9	11	11	11
10	9	9	9
12	7	8	7
14	6	6	6

#### Multiple unit data Footcandles on wall

Distance from ceiling in feet	3' from wall		
	3' on ctr.		
1	23	22	23
2	40	40	40
3	43	43	43
4	37	38	37
5	29	30	29
6	23	23	23
7	18	18	18
8	14	14	14
9	11	11	11
10	9	9	9
12	8	8	8
14	7	7	7

1. Tested using absolute photometry as specified in LM79: IESNA Approved Method for the Electrical and Photometric Measurements of Solid-State Lighting Products.
2. Wattage: controlled to within 5%
3. Correlated Color Temperature: within specs as defined in ANSI\_NEMA\_ANSI C78.377-2008: Specifications for the Chromaticity of Solid State Lighting Products.



© 2026 Signify Holding. All rights reserved. The information provided herein is subject to change, without notice. Signify does not give any representation or warranty as to the accuracy or completeness of the information included herein and shall not be liable for any action in reliance thereon. The information presented in this document is not intended as any commercial offer and does not form part of any quotation or contract, unless otherwise agreed by Signify.

Signify North America Corporation  
 400 Crossing Blvd, Suite 600  
 Bridgewater, NJ 08807  
 Telephone: 800-555-0050

Signify Canada Ltd.  
 281 Hillmount Road,  
 Markham, ON, Canada L6C 2S3  
 Telephone: 800-668-9008

All trademarks are owned by Signify Holding or their respective owners.