



Stonco Keene LytePro LED medium wall sconce LPW16 features outstanding value in a compact, architectural design. This powerful and precise combination offers outstanding energy savings with excellent photometric performance. LPW16 is ideal for entryways and corridors in addition to wall lighting applications requiring strong lateral spacing and forward pattern projection.

Project: _____
 Location: _____
 Cat.No: _____
 Type: _____
 Lamps: _____ Qty: _____
 Notes: _____

Ordering guide

Example: LPW16-2L-740-3-UNV-BZ

Prefix	Lumen Package	CRI/CCT	Optics	Voltage
LPW16				
LPW16 LytePro 16 LED wall sconce	2L 2,500lm	730 70CRI, 3000K	2 Type 2	120 120V UNV 120-277V
	4L 4,500lm	740 70CRI, 4000K	3 Type 3	208 208V 347 347V
	6L 6,000lm	722 70CRI, 2200K (ETOr)	4 Type 4	240 240V 480 480V
		727 70CRI, 2700K (ETOr) 750 70CRI, 5000K (ETOr)	BLC Back Light Control (includes HIS) (ETOr)	277 277V HVU 347-480V

Dimming Controls	Lighting Controls	Location	Finish
The following includes 0-10V driver (only one may be selected)	- None PCB¹ Photocontrol Button	- None BAC² Meets the requirements of the Buy American Act of 1933 (BAA) BABAF² Meets the requirements of the Build America Buy America Act for projects funded through FHWA that are obligated before October 1, 2026, and meets the Buy America preferences for FTA	BK Black WH White BZ Bronze DGY Dark Gray MGY Medium Gray Customer specified RAL³ Specify optional color or RAL (ex: OC-LGP or OC-RAL7024) CC³ Custom color (Must supply color chip for required factory quote)
- None DLEA Dimming Leads Externally Accessible FAWS Field Adjustable Wattage Selector			

1. Must specify voltage for PCB option.
2. Failure to properly select the "BAC" suffix could result in you receiving product that is not BAA compliant product with no recourse for an RMA or refund. This BAC designation hereunder does not address (i) the applicability of, or availability of a waiver under, the Trade Agreements Act, or (ii) the "Buy America" domestic content requirements imposed on states, localities, and other non-federal entities as a condition of receiving funds administered by the Department of Transportation or other federal agencies. Genlyte's products with a BAC option code designation are manufactured in the US and utilize a BAA COTS exemption rule for compliance. "BABAF" designates the product will meet the standards set by FHWA for BABA and FTA for Buy America. As noted, for FHWA BABA compliance, applicable projects must be funded by October 1, 2026.
3. Other colors available upon request as made-to-order.

Stocked luminaires ordering guide

Catalog Number	Description	12NC
LPW16-6L-740-3-UNV-FAWS-BZ	LytePro Wall 16, 6000lm, 4000K, Type 3, 120-277V, Field Adjustable Wattage Selector, Bronze finish	912300006482
LPW16-6L-740-3-UNV-FAWS-DGY	LytePro Wall 16, 6000lm, 4000K, Type 3, 120-277V, Field Adjustable Wattage Selector, Dark Gray finish	912300006483

Stocked accessories ordering guide (must be ordered separately)

Catalog Number	Description	UPC Code
LPWCVRPLT-BZ*	LPW Universal wall cover mounting plate, Bronze textured paint	190096144860

*Other colors available upon request as made-to-order.

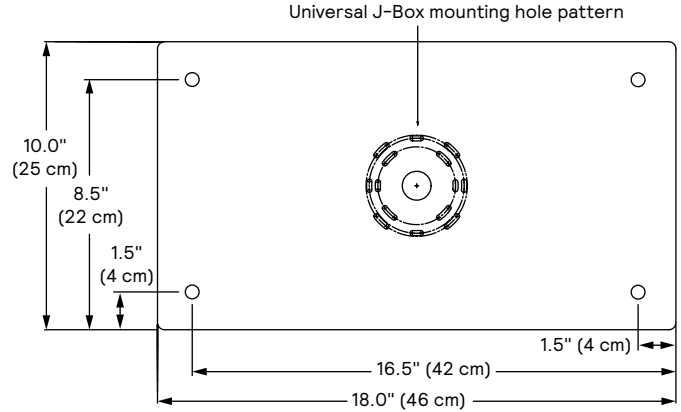
LPW16 LytePro Wall

Medium wall mount

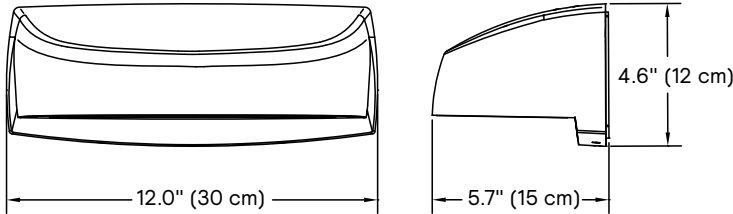
Accessories

HIS-16-H	Internal House Side Shield for 16 LEDs for Type 2, 3, and 4 (1 board)
LPWCVRPLT-BZ*	Universal wall cover mounting plate, 0.08" aluminum, bronze textured paint (used to cover larger pre-existing opening or surfaces, field installed). Offers same J-Box pattern as luminaire or may lagged to wall using (4) knockouts.

*Other colors available upon request as made-to-order. Consult Signify to confirm whether specific accessories are BAA-compliant.



Dimensions



Luminaire weight: 6lbs (2.7 kg)

LED Wattage and Lumen Values

Ordering Code	LED qty.	Avg. System Watts	Type 2			Type 3			Type 4			BLC		
			Lumen Output	Efficacy (LPW)	BUG Rating	Lumen Output	Efficacy (LPW)	BUG Rating	Lumen Output	Efficacy (LPW)	BUG Rating	Lumen Output	Efficacy (LPW)	BUG Rating
3000K CCT														
LPW-16-2L-730-x	16	19	3055	162	B1-U0-G0	2878	152	B1-U0-G1	2822	149	B1-U0-G1	1964	104	B0-U0-G1
LPW-16-4L-730-x	16	33	4942	149	B1-U0-G1	4656	141	B1-U0-G1	4566	138	B1-U0-G1	3178	96	B0-U0-G1
LPW-16-6L-730-x	16	48	6720	140	B2-U0-G1	6371	133	B1-U0-G2	6320	132	B1-U0-G2	4399	92	B0-U0-G1
4000K CCT														
LPW-16-2L-740-x	16	19	3269	173	B1-U0-G0	3079	163	B1-U0-G1	3019	160	B1-U0-G1	2102	111	B0-U0-G1
LPW-16-4L-740-x	16	33	5288	160	B2-U0-G1	4982	151	B1-U0-G1	4885	148	B1-U0-G2	3400	103	B0-U0-G1
LPW-16-6L-740-x	16	48	7190	150	B2-U0-G1	6817	142	B1-U0-G2	6762	141	B1-U0-G2	4707	98	B0-U0-G1

Values from photometric tests performed in accordance with IESNA LM-79 and are representative of the configurations shown.

Actual performance may vary due to installation and environmental variables, LED and driver tolerances, and field measurement considerations. It is highly recommended to confirm performance with a photometric layout.

Note: Some data may be scaled based on tests of similar (but not identical) luminaires. Contact factory for configurations not shown.

Predicted lumen depreciation data

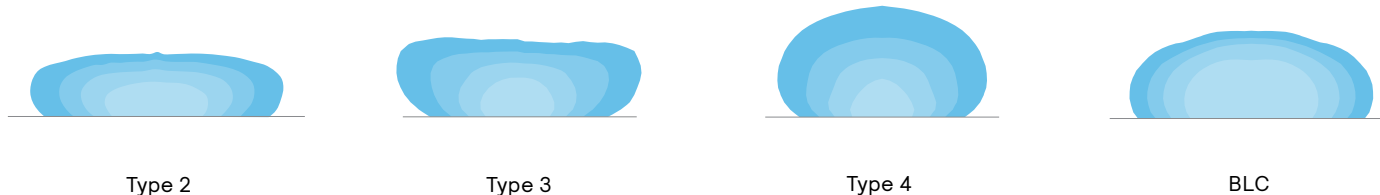
Predicted performance derived from LED manufacturer's data and engineering design estimates, based on IESNA LM-80 methodology. Actual experience may vary due to field application conditions. L70 is the predicted time when LED performance depreciates to 70% of initial lumen output. Calculated per IESNA TM21-11. Published L70 hours limited to 6 times actual LED test hours.

Ambient Temperature °C	Calculated L70 Hours	L70 per TM-21	Lumen Maintenance % at 60,000 hrs
up to 40°C	>100,000 hours	>60,000 hours	>96%

LPW16 LytePro Wall

Medium wall mount

Optical distributions



Specifications

LytePro LED medium wall sconce LPW16 combines excellent performance, design and value to meet the needs of the energy and budget conscious. The LPW16 is available for use in downward facing, surface wall mount applications, over recessed j-boxes or where power can be directly fed through back surface, whereby connections splices can be made inside the luminaire housing. Two SKU's are available as in-stock configurations only (2-day quick ship).

Housing

Die-cast housing houses both the LED and driver assemblies. Design incorporates an integrated heat sink to maximize thermal performance and reliability. Backplate is corrosion free, composite polycarbonate, with built-in level bubble, offers integral interlocking hook and mount design for easy installation.

Mounting

Easy interlocking hook and mount housing/backplate design for easy installation. Mounts over 3.5", 4" octagonal j-boxes and single gang switch boxes or can be directly lagged to surface. Ensure proper steps for gasket/sealing luminaire to surface.

IP Rating

IP66 sealed light engines. Housing (including electrical compartment) rated IP54 per ANSI C136.37.

LED Board and Array

Light engine comprises of a module of 16-LED aluminum metal clad board fully sealed with optics offered in Type 2, 3, 4 and BLC, and up to 170 lm/w. Module is RoHS compliant. Color temperatures: 3000K +/-125K, 4000K, 5000K +/- 200K. Minimum CRI of 70.

Electrical

Driver efficiency (>90% standard). 120-277V and 347-480V available. All drivers are dimmable. Temp range: -40°C (-40°F) to 40°C (104°F). Open/short circuit protection. Inherent surge protection up to (6KVA). RoHS compliant.

Surge protection: Integrated surge protection device tested in accordance with ANSI/IEEE C62.45 per ANSI/IEEE C62.41.2 Scenario I Category C High Exposure 10kV/10kA waveforms for Line-Ground, Line-Neutral and Neutral-Ground.

Button Photocontrol (PCB): Button style design for internal luminaires mounting applications. The photocontrol is constructed of a high impact UV stabilized polycarbonate housing. Rated voltage of 120V, 208V, 240V, 277V, 347V or 480V with a load rating of 1000 VA. The photocell will turn on with 1-4Fc of ambient light.

Listings

Product is cETLus listed suitable for Wet Locations. Suitable for use in ambients from -40°C to 40°C (-40°F to 104°F). Luminaire designed with 0% uplight (U0). CCTs 3000K lower are Dark Sky compliant. DesignLights Consortium® qualified. Declare label certified, ID SIG-0014 ([view full Declare label](#)).

Finish

Each luminaire receives a fade and abrasion resistant, electrostatically applied, thermally cured, triglycidic isocyanurate (TGIC) textured polyester powdercoat finish.

Dimming Control Options

Field Adjustable Wattage Selector (FAWS): Luminaire equipped with the ability to manually adjust the wattage in the field to reduce total luminaire lumen output and light levels. Comes pre-set to the highest position at the lumen output selected. Use chart below to estimate reduction in lumen output desired. Cannot be used with other control options or motion response.

FAWS Position	Percent of Typical Lumen Output	FAWS Position	Percent of Typical Lumen Output
1	25%	6	80%
2	50%	7	85%
3	55%	8	90%
4	65%	9	95%
5	75%	10	100%

Note: Typical value accuracy +/- 5%

Warranty

5-year limited warranty. Options available for extended warranties – contact factory. See <https://www.genlyte.com/en-us/support/warranties> for details and restrictions.

LPW16 LytePro Wall

Medium wall mount

Specifications (continued)

Buy American Act of 1933 (BAA)

This product is manufactured in one of our US factories and, as of the date of this document, this product was considered a commercially available off-the-shelf (COTS) item meeting the requirements of the BAA.

This BAA designation hereunder does not address (i) the applicability of, or availability of a waiver under, the Trade Agreements Act, or (ii) the “Buy America” domestic content requirements imposed on states, localities, and other non-federal entities as a condition of receiving funds administered by the Department of Transportation or other federal agencies. Prior to ordering, please visit <https://www.genlyte.com/en-us/resources/programs/domestic-preference> to view a current list of BAA-compliant products to confirm this product’s current compliance.

Build America, Buy America Act (BABA)

BABA establishes the minimum domestic content requirements that federal agencies must apply. This product is manufactured in the US and has a domestic content of 55% or more. This BABA designation does not address the “Buy America” domestic content requirements, which may be stricter, imposed on states, localities, and other non-federal entities as a condition of receiving funds administered by federal agencies. Please visit <https://www.genlyte.com/en-us/resources/programs/domestic-preference>.

Prior to ordering, please contact factory to confirm BABA or BABAF compliant configurations (BABAF for projects funded through FHWA must be funded by October 1, 2026), and please submit completed BABA checklist [SGn-2452BN-Compliance-Certification-checklist.pdf](#).