



**Wireless Load Controller with 0–10V** that supports switching, dimming, energy metering, and wireless connectivity to other Interact ready devices. Available in integral and remote Interact device orientations, and recessed or surface mounted configurations.

Project: \_\_\_\_\_

Location: \_\_\_\_\_

Cat.No: \_\_\_\_\_

Type: \_\_\_\_\_

Qty: \_\_\_\_\_

Notes: \_\_\_\_\_

### Ordering guide

Example: SBAZ10-CS-ER100-RS

Series	Control Device	Device Orientation	Device Mounting
<b>SWCS</b>			
<b>SWCS</b> Interact Accessory	<b>RADIO</b> Interact RF sensor, enables wireless connected lighting control	<b>I</b> Integral	<b>R</b> Recessed
		<b>R</b> Remote	<b>R</b> Recessed <b>S</b> Surface
	<b>SNSR</b> Interact sensor with integral daylight & occupancy sensing, advanced grouping with dwell time	<b>R</b> Remote	<b>R</b> Recessed <b>S</b> Surface

### Overview

- Load switching with zero-crossing technology for up to 1270W
- Load control via 0–10V control output
- Linear dimming curve matches standard Advance Xitanium drivers
- Wireless Zigbee and Bluetooth radio for compatibility with Interact
- Fast setup and configuration through the Interact application
- Plenum rated housing for connection to junction box
- Energy metering and reporting, accessible upon installing a compatible gateway
- Versatile mounting bracket may be attached directly to suspended t-bar or ceiling joists for new construction (may be removed for retrofit applications)
- Available with both RADIO transceiver and discrete sensing options

### Applications

The SWCS accessory is designed for the Interact lighting system to control loads with the full range of Advance Xitanium 0–10V dimming drivers. Primary use cases are:

- For switching light loads up to 1279W
- For use with multiple 0–10V drivers where per-fixture control is either not desired or not practical. In such applications, the SWCS accessory aggregates all drivers and controls and monitors them as one group.

### Benefits

- Wireless communication with Interact
- Easily configure your lighting groups and zones to adapt to your room layouts
- Lower installation cost and eliminate the wiring between the dimming switch and the controller

### Configurations

- Interact device may be installed integrally (RADIO only) or remote from the bridge.
- Remote device orientations available in both recessed and surface mounted configurations

### Number of connected drivers per SWCS accessory

	Driver	Input Voltage (V)	Driver Quantity
Downlight	13W	120	32
		277	40
	25W	120	17
		277	30
	36W	120	12
		277	22
50W	120	8	
	277	15	
Linear	75W	120	5
		277	10
	20W	120	20
		277	36
		347	36
	40W	120	11
		277	19
		347	19
	54W	120	8
		277	14
		347	15
	75W	120	5
277		10	
347		10	
95W	120	4	
	277	8	
		347	8

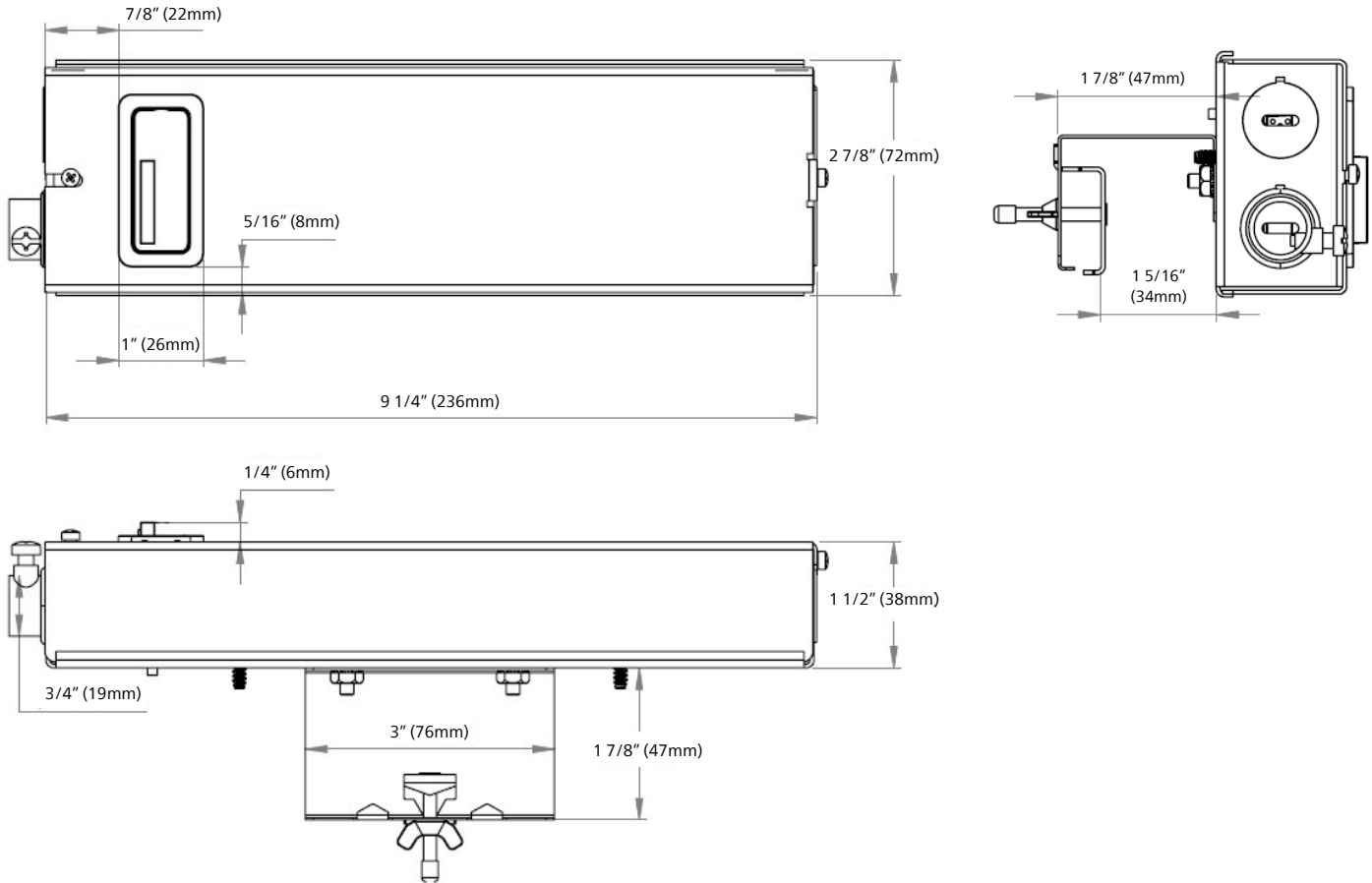
### Ordering Information

Catalog Code	Description	MOQ	Ordering No.
SWCS-RADIO-I-R	Remote Box, integral /recessed RADIO	1	912300004004
SWCS-RADIO-R-R	Remote Box, remote /recessed RADIO	1	912300004005
SWCS-RADIO-R-S	Remote Box, remote /surface RADIO	1	912300004006
SWCS-SNSR-R-S	Remote Box, remote /surface sensor	1	912300003791
SWCS-SNSR-R-R	Remote Box, remote /recessed sensor	1	912300004007

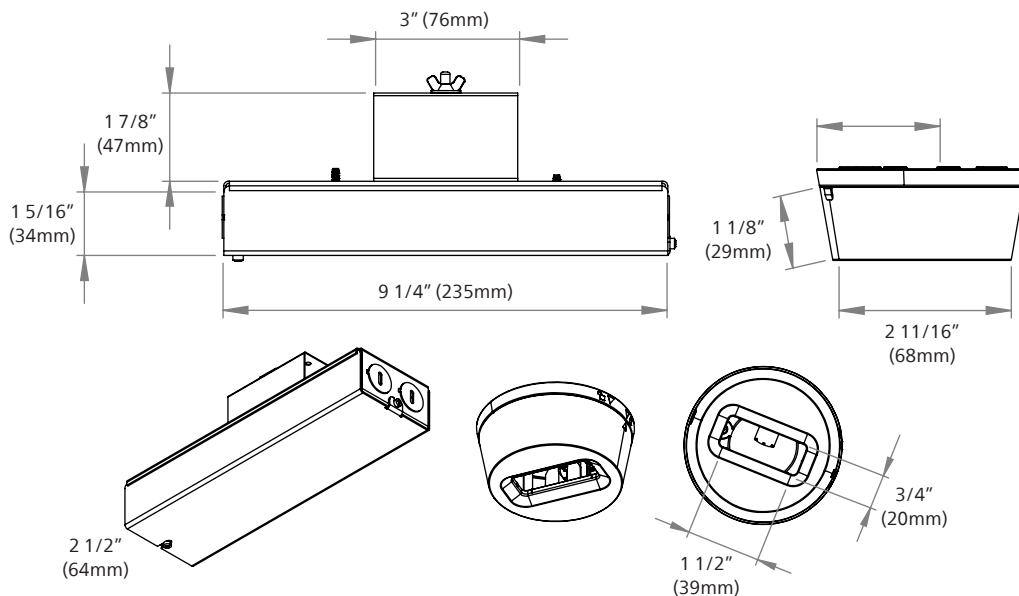
# SWCS System Bridge Accessory wireless controller

Interact compatible via Bluetooth (like SpaceWise) or connected with gateway

## Dimensions SWCS Integral (I) Configurations



## Dimensions SWCS Integral Remote (R), Surface (S) Configurations

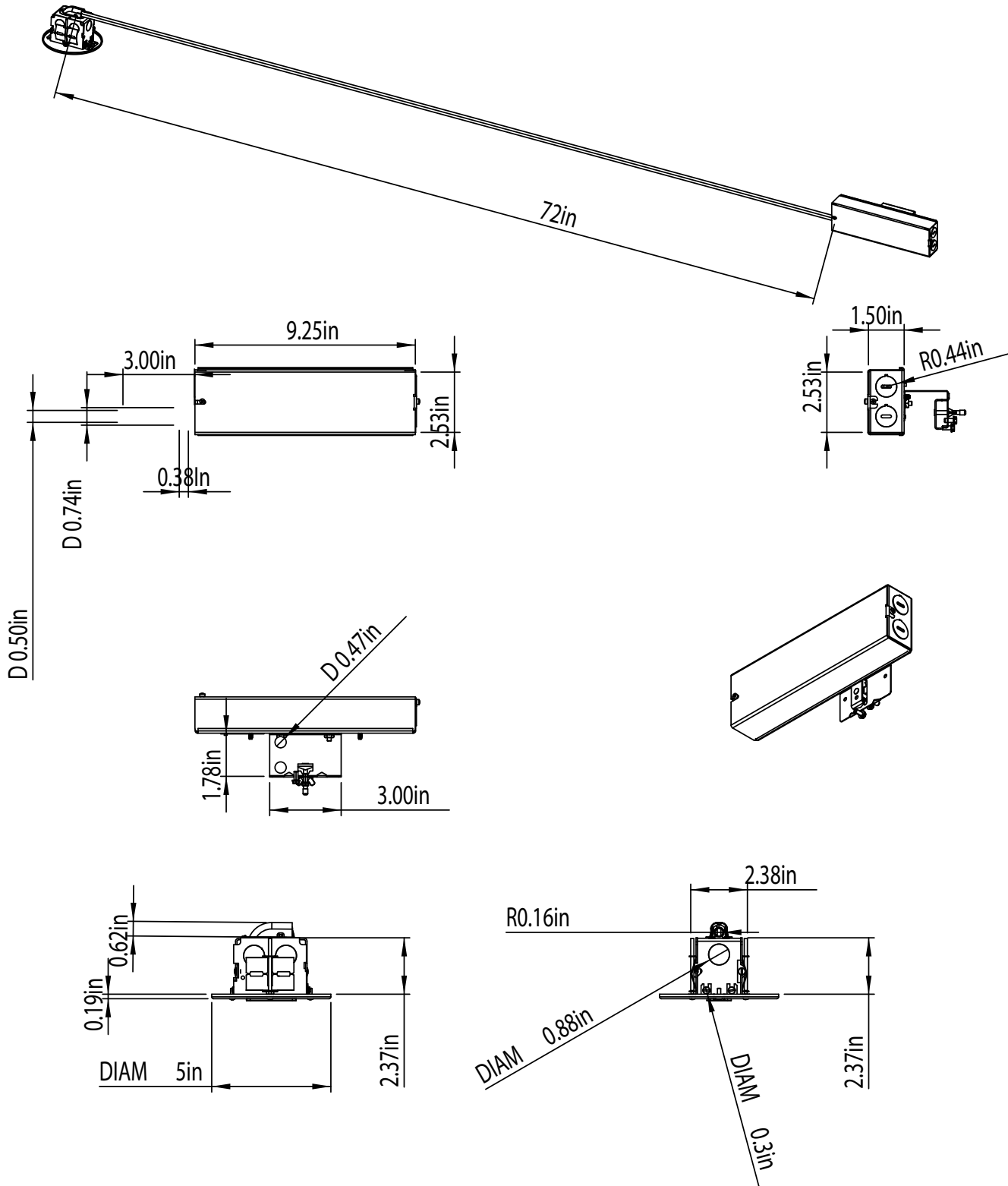


Interact controller box and mounting assembly connected via 60" (1524mm) low voltage plenum rated wire

# SWCS System Bridge Accessory wireless controller

Interact compatible via Bluetooth (like SpaceWise) or connected with gateway

**Dimensions** SWCS Integral Remote (R), Recessed (R) Configurations



# SWCS System Bridge Accessory wireless controller

Interact compatible via Bluetooth (like SpaceWise) or connected with gateway

## Specifications

Input Voltage (VAC)	Max. Power (VA)	Max. Current (A)	Max. Losses (W)	Max. Case Temp (°C)	Surge Protection Common/Diff (KV)
120	730	6.1	1.0	70	2.5
208	1270	6.1			
240	1270	5.3			
277	1270	4.6			
347	1280	3.7			

## Lighting Surge Info

ANSI Surge Type	Differential Mode (L-N)	Common Mode (L-D, N-G, L&N-G)
100kHz Combination Wave (w/t 30Ω)	> 2.5 kV	> 2.5 kV

## Isolation

Isolation	Line In	Ground	SR	0-10V	Line Out
Line In	NA	2xU+1kv	2.5kv	2.5kv	Not Isolated
Ground	2xU+1kv	NA	2xU+1kv	2xU+1kv	2xU+1kv
SR	2.5kv	2.5kv	NA	Not Isolated	2.5kv
0-10V	2.5kv	2.5kv	Not Isolated	NA	2.5kv
Line Out	Not Isolated	2xU+1kv	2.5kv	2.5kv	NA

## Product Data

Input and Output Information	
Inrush current	Per NEMA 410, for max. number of drivers listed
Line voltage (AC operation)	120-347VAC, +/-10%
Line current, max. load line	6.1A @ 120V, 6.1A @ 208V, 5.3A @ 240V, 4.6A @ 277V, 3.7A @ 347V
Frequency	50/60Hz
Features	
Life @ 70°C	50,000 hrs (nom)
Ambient temp range	-20°C to +60°C
Wireless communication frequency	2.4 Ghz
Field configuration	via BLE, parameters set via Interact commissioning app
Power reporting accuracy	±0.9W/±4%
Dimming profile	Linear (default 1 – 8V); Programmable
Lead wires	18AWG solid conductor, 8 inches
Weight	
Environment & Approbation	
Agency approbations	UL916, UL2043 (pending), CSA (C22.2 No. 250)
Audible noise	26dB typ. not including start-up; 46dB typ. at start-up
EMC (electromagnetic compliance)	Meets FCC 47 Part 15 Class A
Environmental protection rating	UL Dry & Damp
EMC emission	FCC Part 15 – Subpart B ANSI C63.4-2014
EMC immunity	FCC Part 15 – Subpart B

© 2026 Signify Holding. All rights reserved. The information provided herein is subject to change, without notice. Signify does not give any representation or warranty as to the accuracy or completeness of the information included herein and shall not be liable for any action in reliance thereon. The information presented in this document is not intended as any commercial offer and does not form part of any quotation or contract, unless otherwise agreed by Signify.



Signify North America Corp.  
400 Crossing Blvd, Suite 600  
Bridgewater, NJ 08807  
Telephone: 800-555-0050

Signify Canada Ltd.  
281 Hillmount Road,  
Markham, ON, Canada L6C 2S3  
Telephone: 800-668-9008

All trademarks are owned by Signify Holding or their respective owners.