



**Pique Duo** is the next generation of excellence in Architectural Recessed luminaires with two choices for optics: the high performance MesoOptics lens or the value driven Silk lens. Meet the perfect duo.

**Pique Duo includes AccuRender technology for the highest color quality at the highest efficacy.**

Project: \_\_\_\_\_  
 Location: \_\_\_\_\_  
 Cat.No: \_\_\_\_\_  
 Type: \_\_\_\_\_  
 Line ID: \_\_\_\_\_ Qty: \_\_\_\_\_  
 Notes: \_\_\_\_\_

### Ordering guide

**quickship** options

Tunable White options

Example: PQ22D1STL93545Q1DSNCS

Family	Size	Version	Configuration	Source	CRI/CCT <sup>1,3</sup>	Lumens <sup>1,3</sup>	Optics	Wiring <sup>2,7</sup>
<b>PQ</b>			<b>ST</b>	<b>L</b>				
<b>PQ</b> Pique Duo	<b>22</b> 2'x2' <b>14</b> 1'x4'	<b>D1</b> Standard & Slot T-Grid <b>C1</b> Standard & Slot T-Grid + Chicago Plenum	<b>ST</b> Standalone	<b>L</b> LED	<b>940</b> CRI 90, 4000K <b>935</b> CRI 90, 3500K <b>930</b> CRI 90, 3000K	<b>50</b> 5000lm <b>45</b> 4500lm <b>40</b> 4000lm <b>35</b> 3500lm <b>30</b> 3000lm <b>25</b> 2500lm <b>20</b> 2000lm	<b>A</b> Silk - Lambertian <b>Q</b> MesoOptics - Batwing  Other options may be ordered in increments of 100lm between 2000lm and 5000lm or 4000lm and 8000lm (not available for QuickShip)	<b>1</b> 1 Circuit <b>B</b> 1 Circuit + Battery Pack  <b>G</b> 1 Circuit + GTD 120V <b>H</b> 1 Circuit + GTD 277V
	<b>24</b> 2'x4'				<b>950</b> CRI 90, 5000K <b>927</b> CRI 90, 2700K	<b>80</b> 8000lm <b>75</b> 7500lm <b>70</b> 7000lm <b>65</b> 6500lm <b>60</b> 6000lm <b>55</b> 5500lm <b>50</b> 5000lm <b>45</b> 4500lm <b>40</b> 4000lm		
					<b>9T2</b> CRI 90, 2700-6500K 2ch Tunable White			
Voltage <sup>4</sup>		Driver (Dim %)		Option		Integral Sensors & Control System		
<b>D</b> UNV 120-277V <b>3</b> 347V	<b>E</b> Advance Xitanium 0-10V (1%)		<b>N</b> None		<b>Leave blank</b>			
	<b>D</b> Advance Xitanium DALI-2 D4i (1%) <b>H</b> Lutron EcoSystem LDE1 (<1%, FtB)		<b>P</b> Pre-Installed Flex Whip (6', 6C)					
<b>D</b> UNV 120-277V	<b>S</b> Advance Xitanium SR, DALI-2 D4i (1%, Dim-to-off, Fade-to-on)				<b>CS</b> Interact Sensor (Day/Occ) <b>RA</b> Interact Radio Node <b>SB</b> Interact Enterprise Sensor Bundle (Day/Occ + IoT) <b>AS</b> Lutron Athena Sensor AWNS (Day/Occ) <b>AR</b> Lutron Athena Radio Node AWNR <b>VS</b> Lutron Vive Sensor VDO (Day/Occ) <b>VR</b> Lutron Vive Radio Node VRF			
<b>D</b> UNV 120-277V	<b>A</b> Advance Xitanium 0-10V + Aux (1%, Dim-to-off, Fade-to-on)				<b>DO</b> Basic Daylight and Occupancy <b>AS</b> Lutron Athena Sensor AWNS (Day/Occ) <b>AR</b> Lutron Athena Radio Node AWNR			
<b>D</b> UNV 120-277V	<b>F</b> Advance FlexTune 2ch SR, DALI DT8 (1%, Dim-to-off, Fade-to-on)				<b>CS</b> Interact Sensor (Day/Occ) <b>RA</b> Interact Radio Node <b>SB</b> Interact Enterprise Sensor Bundle (Day/Occ + IoT) <b>AS</b> Lutron Athena Sensor AWNS (Day/Occ) <b>AR</b> Lutron Athena Radio Node AWNR			
	<b>2</b> 0-10V 2ch (0.1%)				<b>Leave blank</b>			

- Nominal values within a range. Some lumen packages not available in all configurations, consult photometry data for CRI/CCT (static & tunable white), lumens & distribution of chosen configuration.
- Not all wiring types are available with all configurations. Consult Ledalite for a complete list of available options.
- Tunable White available with Advance FlexTune 2ch SR and 0-10V 2ch drivers. Consult factory for alternatives such as DALI DT6 or DMX (extended lead times may apply). Tunable White max lumen package is 5000lm.

- 347V only available with E - Advance Xitanium 0-10V (1%) driver option
- Interact options may require an IRT9015 Interact commissioning remote or other separate controls hardware by Signify.
- Other options not shown here may also be possible via a custom request, please consult factory. Extended lead times and minimum order quantities may apply.
- GTD is only available with E, D, or H driver options with either a 120V or 277V connection.

**Note:** Due to continuing product improvements, Ledalite reserves the right to change the specifications without notice.

**DLC Note:** Not all product variations listed on this page are DLC qualified. To ensure that a specific model is qualified, visit [www.designlights.org/search](http://www.designlights.org/search)

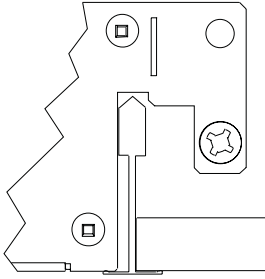


# Pique Duo Architectural Recessed

## Mounting details

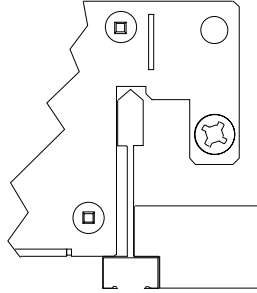
### Standard T-Grid

Integrates with most common T-Grid types. Works with 9/16" & 15/16" flat T-Grid ceilings.



### Slot T-Grid

Can be used with slot T-Grid ceilings. For 9/16" slot T-Grid ceilings, fixture will sit 5/16" above bottom of T-Bar.



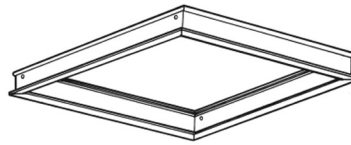
### Drywall Trim Mounting Frame

The Ledalite drywall trim mounting frame assembly is designed to permit use of grid (NEMA G) fixtures in drywall or ceilings requiring flanges. Mounting frame is ordered separately and compatible with standalone recessed product. Frame can be installed directly to a solid frame (such as wood) or via hanger wires. Finish is white.

Extruded aluminum construction with mitered corners. Includes screws for complete assembly. Available in 2'x2', 2'x4' & 1'x4' sizes.

Drywall Frame Ordering Code	Size
300DK02	1'x4'
300DK03	2'x2'
300DK04	2'x4'

More information available [here](#).

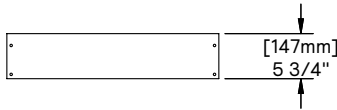
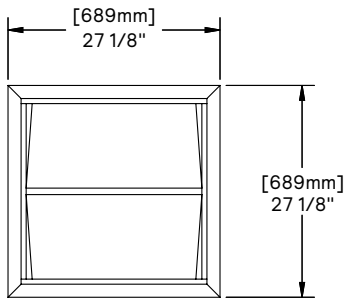
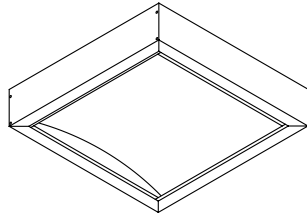


### Duo Surface Mount Frame

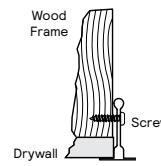
The Ledalite Duo Surface Mount Frame is designed to universally allow all standard versions of Duo Recessed Luminaires, including those with Battery Pack, GTD, and Sensor options, to be Surface Mounted. Frame is ordered separately. Finish is white.

Made from painted and formed sheet metal with mitered corners. Includes screws for complete assembly. Available in 2'x2', 2'x4', and 1'x4' sizes

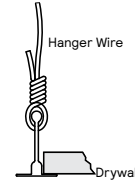
Surface Mount Ordering Code	Size
300SM14W	1'x4'
300SM22W	2'x2'
300SM24W	2'x4'



### Wood Frame Hanger Wire



Wood frame and screws supplied by others.

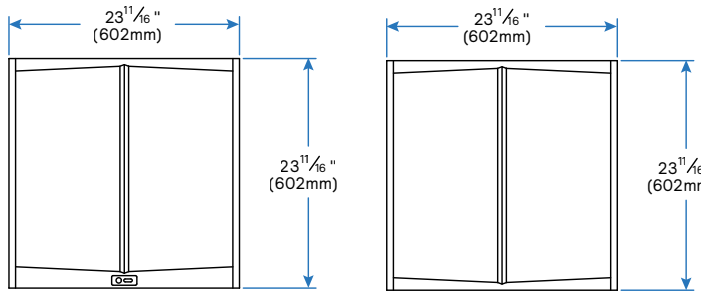


Hanger wires supplied by others.

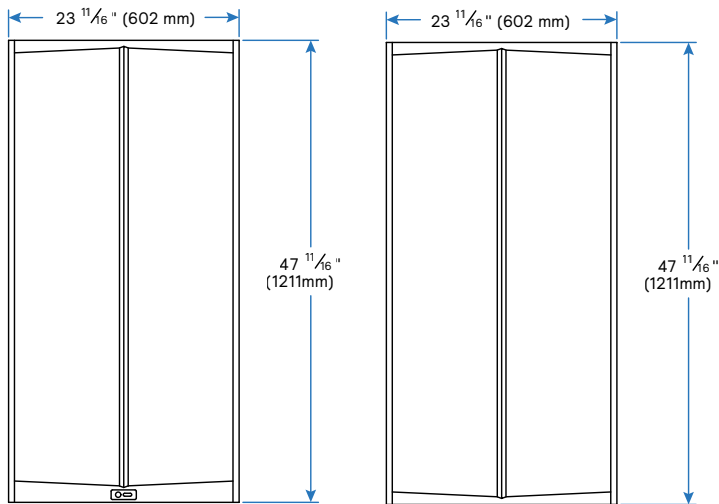
# Pique Duo Architectural Recessed

## Dimensions

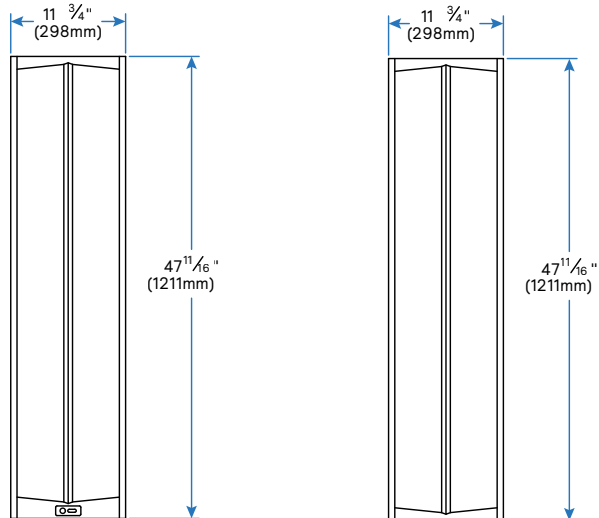
2'x2' lens view, with and without Interact sensor\*



2'x4' lens view, with and without Interact sensor\*

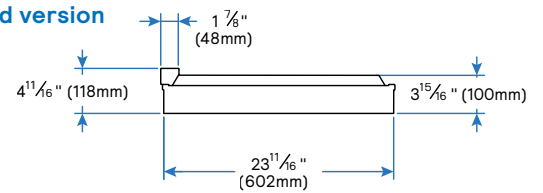


1'x4' lens view, with and without Interact sensor

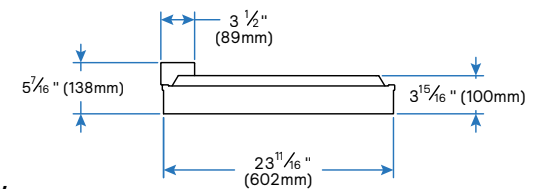


End view

Standard version

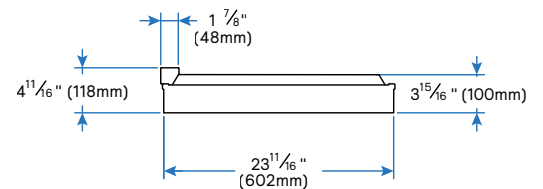


Battery pack and GTD version

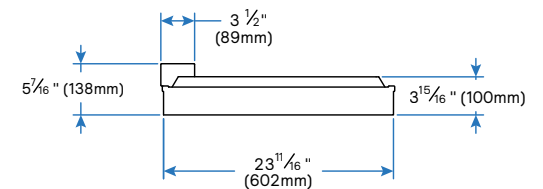


End view

Standard version

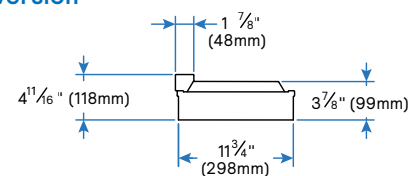


Battery pack and GTD version

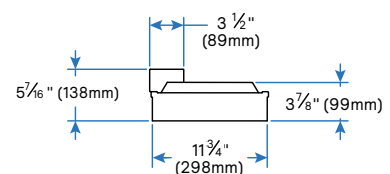


End view

Standard version



Battery pack and GTD version



\*All other sensors such as Lutron Athena or Vive have the same placement.

# Pique Duo Architectural Recessed

## Specifications

### Optical System

**MesoOptics – Batwing:** A layer of precision MesoOptics film creates a 3D batwing distribution resulting in a flawless uniform surface while allowing for higher on-center spacing, promoting even lighting on the workplane and reduced glare, resulting in the need for less luminaires than typical troffer applications and providing superior user comfort in spaces.

**Silk – Lambertian:** A diffuse white acrylic lens delivers a flawlessly uniform luminous surface with a light distribution typical of troffer type lighting applications.

### Housing

Product is compatible with NEMA Type G, NFG, NFSG, and SS. Sides and center spine: precision aluminum extrusion; end caps, back housing and driver cover: die-formed, cold-rolled steel, pre and post painted.

### Finish

Extruded aluminum trim and formed steel coated with an electrostatically applied, thermally cured polyester powder coat sandtex white finish. Driver box is galvanized.

### Mounting

Compatible with 15/16" lay-in acoustical ceilings using exposed grid suspension (NEMA type G). For 9/16" slot T-grid ceilings, fixture will sit 5/16" above bottom of Tee. Optional drywall kit trim mount can be fastened to a wood frame or with hangar wire.

### Weight

Size	Typical	Maximum
2'x2'	11 lbs.	13 lbs.
2'x4'	19 lbs.	22 lbs.
1'x4'	12 lbs.	15 lbs.

### Electrical & Servicing

Drivers are easily field replaceable from above the ceiling with the unique Duo driver box design. Wire knock-outs available on both ends of the driver box for field-installable mains and dimming thru-wiring across multiple fixtures. Optional armored 6-conductor cable flex whips are available in 6' lengths (option code P).

### Integral Battery Packs and GTDs

Bodine Battery Pack, 90 min, 10W, Class 2 rated output. Low profile test switch is easily accessible from below the ceiling.

Battery pack lumen output = 10W x luminaire efficacy x 1.1. Typical output: 1600lm.

Bodine GTD (generator transfer device) is for use with a generator or central inverter. Requires connection to an emergency source derived from a UL 1008 Listed transfer switch.

### Lumen Maintenance

LEDs have been tested by the manufacturer in accordance with IESNA LM-80-08. At an ambient temperature of 25°C, the LED lumen maintenance expectation according to IES TM-21-11:

$L_{70}$  (17K) >102,000 hrs (Reported methodology).

The below calculated lifetime represents estimations commonly used. PS-10-18: IES Position on LED Product Lifetime Prediction, explains proper use of IES TM-21 and LM-80.

$L_{70}$  > 215,000 hrs (Calculated).

### Source Color

LEDs rated for color rendering of:

$CRI R_a \geq 90, R_g \geq 50, G_a \geq 97, C_g \geq 90$

IES TM-30-18 :  $R_f \geq 89, R_{f,h1} \geq 88, R_g \geq 97, R_{cs,h1} \geq -6\%$

SPD and TM-30-18 reports available upon request

Fixture to fixture color accuracy within 3 SDCM

### Environment

Rated for dry or damp locations in operating ambient temperatures of 25±5°C (77±9°F).

Many luminaire components, such as reflectors, refractors, lenses, and LEDs are made from various types of plastics which can be adversely affected by airborne contaminants. If sulfur-based chemicals, petroleum-based products, cleaning solutions, or other contaminants are expected in the intended area of use, consult factory for compatibility. Damage caused by sulfur, chlorine, petroleum-based solution or other contaminants are not covered under warranty. Not suitable for natatorium environments.

### Warranty

Standard five-year luminaire limited warranty including LED light engine and driver. Warranties up to 10 years are available upon special request. Visit [www.signify.com/warranties](http://www.signify.com/warranties) under "Indoor Professional Luminaires" for more information.

### QuickShip

10-day QuickShip available for thousands of configurations when requested at ordering time. This service is offered at no additional charge. Total quantity limits apply. More information available [here](#).

# Pique Duo Architectural Recessed

## Specifications (continued)

### Drivers

Class 2 rated output. Lowest dimming level shown in brackets. Consult Ledalite for other available drivers or custom requests.

#### Static White 120-277V

- Advance Xitanium 0-10V (1%)
- Advance Xitanium DALI-2 D4i (1%)
- Advance Xitanium SR (Sensor Ready), DALI-2 D4i (1%, Dim-to-off, Fade-to-on)
- Advance Xitanium 0-10V + Aux (1%, Dim-to-off, Fade-to-on)
- Lutron EcoSystem LDE1 (<1%, Soft-on, Fade-to-Black)

#### Static White 347V

- Advance Xitanium 0-10V (1%)
- Advance Xitanium SR, DALI-2 D4i (1%) – Contact Factory

#### Tunable White 2-channel 120-277V

- Advance FlexTuone 2ch SR (Sensor Ready), DALI DT8 (1%, Dim-to-off, Fade-to-on)
- 0-10V 2ch (0.1%)
- DALI-2 DT6 2ch (0.1%) – Contact Factory
- DALI-2 DT8 2ch (0.1%) – Contact Factory

### WELL v2 Building Standard

Pique Duo luminaires contribute towards satisfying the following features under the WELL v2 Building Standard:

- **L03:** When specified with a Tunable White system.
- **L04:** Glare management for configurations at <19 UGR and <16 UGR.
- **L07:** Brightness management with batwing distributions allowing for even lighting within a space, while spacing the fixtures wider apart than typical recessed luminaire product.
- **L08:** AccuRender CRI 90 standard LED boards with high performance Advance Xitanium drivers (or optional drivers) to manage color quality and flicker
- **L09:** When specified with Interact or when tied to a 3rd party control system.
- **X07:** Materials Transparency via the Declare label, operated by the International Living Future Institute.

### Controls

Detailed specification of controls can be found on the following pages of this spec sheet. Ordering codes shown in brackets. Many 3rd party control solutions can be used separate of the luminaire when the correct driver is specified (i.e. 0-10V, DALI, EcoSystem). Consult Ledalite for other integral sensors, remote sensors, and custom requests such as those from Enlighted, Encelium, Wattstopper, or others.

#### Wireless & Connected Controls

- Interact Pro Radio Node (RA)
- Interact Pro Connected Sensor (CS)
- Interact Pro Enterprise Sensor Bundle (SB)
- Lutron Athena Sensor AWNS (AS)
- Lutron Athena Node Awnr (AR)
- Lutron Vive Sensor VDO (VS)
- Lutron Vive Node VRF (VR)

#### Discrete Controls

- Basic Daylight and Occupancy (DO)

### Approvals

Certified to UL, CSA, & IES standards.

City of Chicago Approved CCEA (Version C1).

Type IC Rated.

Pique Duo is Declare label certified. More information on the Duo family label can be found on [www.declare.living-future.org](http://www.declare.living-future.org) and through the Declare ID **SGY-0010**.

DLC Standard & Premium under family **PPUGM**

DLC Note: Not all product variations listed on this spec sheet are DLC qualified. To ensure that a specific model is qualified, visit [www.designlights.org/search](http://www.designlights.org/search)

Luminaires that include Interact Pro controls options can help meet the requirements in 90.1-2022, IECC 2021, and CA T24 2022 for a maximum of 20 min. time out for occupancy controls.

**Declare.**

**Ledalite Architectural Recessed Luminaires – ArcForm Duo, Pique Duo, Shine Duo, & SilkSpace Duo**  
**Genlyte Solutions by Signify**

**Final Assembly:** Langley, British Columbia, Canada; Littlestown, Pennsylvania, USA  
**Life Expectancy:** 20+ Year(s), Warranty 5 Year(s)  
**End of Life Options:** Recyclable (<90%), Landfill (>10%)

**Ingredients:**  
Iron; Aluminum; Small Electrical Components - RoHS Compliant<sup>1</sup>; 2-Propenoic acid, 2-methyl-, methyl ester, polymer with ethyl 2-propenoate; Fatty acids, castor-oil, caustic-oxidized, distrn. residues, esters with 1,3-butanediol; Polyethylene Terephthalate; Acrylonitrile-Butadiene-Styrene Copolymer; Barium sulfate; 1,3-Benzenedicarboxylic acid, polymer with dimethyl 1,4-benzenedicarboxylate, 2,2-dimethyl-1,3-propanediol, 2-ethyl-2-(hydroxymethyl)-1,3-propanediol and hexanedioic acid; EPOXY RESINS; Rutile (TiO<sub>2</sub>); Titanium dioxide; Ethyl acrylate; Copper; Steel; Calcium carbonate; Manganese; Magnesium; Barite (Ba(SO<sub>4</sub>)); Silicon; **Polyvinyl chloride**; 1,3,5-Triglycidyl-s-triazinetrione; Amorphous silica; Nickel (Metallic); **Polytetrafluoroethylene**; Chromium, metallic; Graphite; Titanium; Tris(2-ethylhexyl) trimellitate; 1-Propene, polymer with ethene; Methyl methacrylate; Carbon black; Molybdenum; Zinc; Dihydroxypolydimethylsiloxane; POLYOLEFIN; 2-Ethylhexyl acrylate; Talc; Polyethylene; Sulfur; Elemental; Hydrocarbons, C6-20, polymers, hydrogenated; Petroleum resins; Tin; Organic; Pulp, cellulose; **Urethane (Ethyl carbamate)**; Naphthenic oils; Phosphorus; CAS RN 91261653; Calcium Carbonate; Kaolin, calcined; Quartz; Antimony oxide (Antimony trioxide); Siloxanes and Silicones, di-Me, Me vinyl

<sup>1</sup>LBC Temp Exception RL-002 - Small Electrical Components

**Living Building Challenge Criteria:**

**I-13 Red List:**  
 LBC Red List Free      % Disclosed: 100% at 100ppm  
 LBC Red List Approved      VOC Content: Not Applicable  
 Declared

**I-10 Interior Performance:** Not Applicable  
**I-14 Responsible Sourcing:** Not Applicable

SGY-0010  
EXP. 01 DEC 2026  
Original Issue Date: 2025

MANUFACTURER RESPONSIBLE FOR LABEL ACCURACY  
INTERNATIONAL LIVING FUTURE INSTITUTE™ [living-future.org/declare](http://living-future.org/declare)

# Pique Duo Architectural Recessed

## Controls Options\*

### Interact Radio Node for Standalone, Gateway and Gateway + IoT tiers (RA)

- RA is a connected radio node supporting wireless mesh connectivity.

### Interact sensor for Standalone, Gateway and Gateway + IoT tiers (CS)

- CS is a connected sensor with integral occupancy and daylight sensing and supports wireless mesh connectivity.
- The sensor can operate in a standalone mode or in a gateway mode.
- Interact includes an App, a portal and a broad portfolio of wireless luminaires, lamps and retrofit kits all working on the same system.
- Startup is implemented via Interact Pro app (Android or iPhone) & Bluetooth connectivity. The app provides flexibility to choose between a gateway or non gateway mode for setup.
- Setup with the gateway requires wired internet access to the gateway.  
It is possible to add a gateway at a later point.
- Prepare project configuration steps remotely and use IRT9015 remote onsite to identify and group devices together.
- Compatible with UID8465/10 or UID8465/50 wireless dimmer switches, wireless dimmer switch, SWS200 wireless scene switch, wireless occupancy sensor (OCC0100A/02 BP Sensor WH) and wireless daylight /occupancy sensor (OCC0101A/02 DL BP Sensor WH).
- For more information on Interact visit:  
[www.interact-lighting.com/en-us/what-is-possible/about-interact](http://www.interact-lighting.com/en-us/what-is-possible/about-interact)

### Interact sensor bundles for Gateway + IoT tier (SB)

- SB option, in addition to occupancy and daylight sensing, supports advanced IoT capabilities such as people estimation analysis, desk level temperature & humidity sensing, noise classification, and Bluetooth Low Energy (BLE) beacon.
- Compatible with UID8465/10 or UID8465/50 wireless dimmers switches, SWS200 wireless scene switch, wireless occupancy sensor (OCC0100A/02 BP Sensor WH) and wireless daylight/occupancy sensor (OCC0101A/02 DL BP Sensor WH).
- Use Interact software and insights to increase building efficiency, achieve building wide integration and optimize space through occupancy analytics.
- Requires compatible gateway and internet connectivity for commissioning. For more information, visit: [www.interact-lighting.com/office](http://www.interact-lighting.com/office)

### Tunable White & BioUp

- Tunable white options are available with Interact wireless, Lutron Athena wireless, and 2ch 0-10V wired drivers. Please inquire about BioUp options and driver options such as DALI-2 DT6 or DMX control (extended lead times may apply).
- Signify tunable white solutions are designed to help maximize the influence of lighting on your daily life.
- Signify BioUp helps support daytime circadian rhythm for engagement during the day and good sleep quality at night.
- Dynamic behaviors via scheduled lighting recipes mimicking daylight patterns or supporting biorhythms.
- Scene setting via lighting pre-sets based on various combinations of lighting color temperature and intensity.

Interact Pro scalable sensor option codes across Genlyte product lines\*

	Evokit	Day-Brite	Ledalite	Lightolier
Zigbee + Bluetooth	RADIO	RADIO	RA	RA
Zigbee + Bluetooth + Sensing	SWZCS	SWZCS	CS	SBA accessory (external)
Zigbee + Bluetooth + Sensing + Environmental data	IAOSB	IAOSB	SB	SB
Zigbee + Highbay + Sensing	-	SWZCSH	-	-

# Pique Duo Architectural Recessed

## Functionalities overview

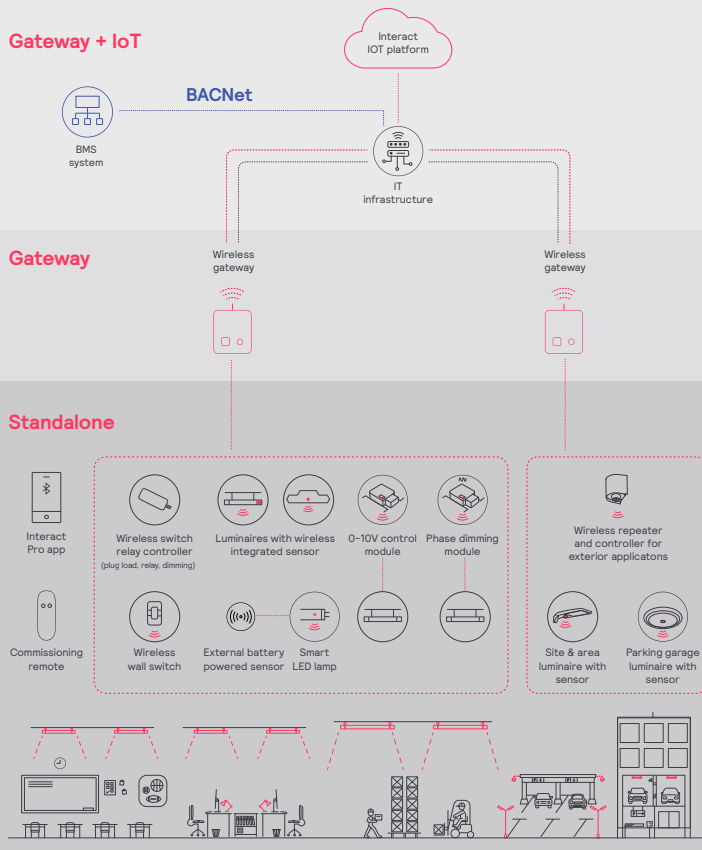
	The three tiers of Interact		
	Standalone	Gateway	Gateway + IoT
Dimming, grouping, and zoning	✓	✓	✓
Bluetooth and ZigBee enabled	✓	✓	✓
Motion sensing and daylight harvesting	✓	✓	✓
Integration with 0-10V and phase dimming fixtures	✓	✓	✓
Code compliance	✓	✓	✓
Granular dimming and dwell time	✓	✓	✓
<b>New</b> Correlated color temperature (CCT) tuning by switch	✓	✓	✓
<b>New</b> Support for sensor-based Tunable White luminaires	✓	✓	✓
Energy reporting and monitoring		✓	✓
Scheduling		✓	✓
Demand response		✓	✓
BMS integration (BACnet)			✓
Floor plan visualization			✓
IoT sensors for wellness			✓
IoT Apps for productivity			✓

## Currently supported maximum system size

To be able to design the lighting system correctly for the customer, it is important to know the prime characteristics of the system, its possibilities and limitations.

System level	
Total number of gateways	Unlimited
Total number of devices	200 per network
• luminaires with integrated sensors	150
• smart TLEDs	150
Total number of ZGP devices (sensors and switches)	50
• sensors	30
• switches	50
• zones and groups	64
Group level	
Recommended number of lights	40 (recommended 25)
Number of ZGP devices	5
Number of scenes	16

## Interact system architecture for office, education, healthcare, retail, industrial and parking applications



# Pique Duo Architectural Recessed

## Colorimetry

### Pique Duo – AccuRender Static White

Nominal CRI & CCT		CRI 90+, 2700K	CRI 90+, 3000K	CRI 90+, 3500K	CRI 90+, 4000K	CRI 90+, 5000K
CIE 013.3-1995 <sup>1</sup>	CRI R <sub>s</sub>	93	94	92	93	94
	R <sub>9</sub>	56	67	59	63	74
	G <sub>a</sub>	99	100	99	97	97
	C <sub>9</sub>	93	94	93	93	95
IES TM-30-18 <sup>2</sup>	R <sub>f</sub>	90	91	90	89	89
	R <sub>f,h1</sub>	88	91	89	88	89
	R <sub>g</sub>	100	100	100	97	98
	R <sub>cs,h1</sub>	-6%	-5%	-6%	-6%	-5%
MDER <sup>3</sup>		0.44	0.50	0.56	0.65	0.83

### Pique Duo – AccuRender Tunable White

Nominal CRI & CCT		CRI 90+, 2700K	CRI 90+, 3000K	CRI 90+, 3500K	CRI 90+, 4000K	CRI 90+, 5000K	CRI 90+, 5000K
CIE 013.3-1995 <sup>1</sup>	CRI R <sub>s</sub>	93	94	95	95	94	92
	R <sub>9</sub>	58	67	77	83	84	72
	G <sub>a</sub>	98	99	100	100	98	95
	C <sub>9</sub>	93	94	96	97	97	94
IES TM-30-18 <sup>2</sup>	R <sub>f</sub>	90	90	90	89	89	87
	R <sub>f,h1</sub>	89	90	90	90	89	86
	R <sub>g</sub>	98	99	99	98	98	95
	R <sub>cs,h1</sub>	-6%	-5%	-4%	-4%	-4%	-6%
MDER <sup>3</sup>		0.44	0.52	0.63	0.71	0.84	0.99

1. Color Rendering Index (CRI Ra) and Strong Red (R9) are calculated in accordance with CIE 013.3-1995. Color Gamut index (Ga) and red chroma Index (C9) are CIE based properties using the Global Lighting Association's calculation tool.
2. Fidelity Index (Rf), Red Fidelity Index (Rf,h1), Gamut Index (Rg), and Red Local Chroma Shift (Rcs,h1) are calculated in accordance with IES TM-30-18.-18.
3. Melanopic Daylight Efficacy Ratio (MDER) is the measure for "spectral melanopic efficiency" as defined in CIE S 026-2018.

# Pique Duo Architectural Recessed

## Photometry

Pique Duo 2'x2' Silk (Lambertian)

Click "PDF" or "IES" text to download

Nominal CRI & CCT		CRI 90+, 2700K					CRI 90+, 3000K					CRI 90+, 3500K					CRI 90+, 4000K					CRI 90+, 5000K					CRI 90+, 6500K					
Lumen Package	Watts (W)	Flux (lm) <sup>1</sup>	Efficacy (LPW) <sup>1</sup>	UGR <sup>2</sup>	Photometry Report	IES File	Flux (lm) <sup>1</sup>	Efficacy (LPW) <sup>1</sup>	UGR <sup>2</sup>	Photometry Report	IES File	Flux (lm) <sup>1</sup>	Efficacy (LPW) <sup>1</sup>	UGR <sup>2</sup>	Photometry Report	IES File	Flux (lm) <sup>1</sup>	Efficacy (LPW) <sup>1</sup>	UGR <sup>2</sup>	Photometry Report	IES File	Flux (lm) <sup>1</sup>	Efficacy (LPW) <sup>1</sup>	UGR <sup>2</sup>	Photometry Report	IES File	Flux (lm) <sup>1</sup>	Efficacy (LPW) <sup>1</sup>	UGR <sup>2</sup>	Photometry Report	IES File	
Static White	5000	36	4866	138	22	PDF	IES	4971	140	22	PDF	IES	5008	141	22	PDF	IES	5136	145	22	PDF	IES	4948	140	22	PDF	IES					
	4500	32	4420	139	22	PDF	IES	4495	141	22	PDF	IES	4527	142	22	PDF	IES	4641	146	22	PDF	IES	4475	141	22	PDF	IES					
	4000	28	3952	140	21	PDF	IES	3998	141	21	PDF	IES	4038	142	21	PDF	IES	4144	146	21	PDF	IES	3992	142	21	PDF	IES					
	3500	25	3467	140	21	PDF	IES	3489	141	21	PDF	IES	3542	143	21	PDF	IES	3643	147	21	PDF	IES	3501	142	21	PDF	IES					
	3000	21	2972	141	20	PDF	IES	2976	140	20	PDF	IES	3040	143	20	PDF	IES	3136	149	21	PDF	IES	3003	142	20	PDF	IES					
	2500	18	2471	142	20	PDF	IES	2468	141	20	PDF	IES	2534	145	20	PDF	IES	2621	150	20	PDF	IES	2502	144	20	PDF	IES					
	2000	14	1969	141	19	PDF	IES	1972	141	19	PDF	IES	2024	145	19	PDF	IES	2094	150	19	PDF	IES	1998	144	19	PDF	IES					
Tunable White	5000	41	5001	122	22	PDF	IES	5001	123	22	PDF	IES	5001	123	22	PDF	IES	5001	123	22	PDF	IES	5001	124	22	PDF	IES	5001	124	22	PDF	IES
	4500	36	4498	125	22	PDF	IES	4498	126	22	PDF	IES	4498	126	22	PDF	IES	4498	126	22	PDF	IES	4498	127	22	PDF	IES	4498	127	22	PDF	IES
	4000	31	4000	128	21	PDF	IES	4000	128	21	PDF	IES	4000	129	21	PDF	IES	4000	129	21	PDF	IES	4000	129	21	PDF	IES	4000	130	21	PDF	IES
	3500	27	3500	131	21	PDF	IES	3500	131	21	PDF	IES	3500	131	21	PDF	IES	3500	131	21	PDF	IES	3500	132	21	PDF	IES	3500	132	21	PDF	IES
	3000	23	3000	133	20	PDF	IES	3000	133	20	PDF	IES	3000	133	20	PDF	IES	3000	133	20	PDF	IES	3000	133	20	PDF	IES	3000	134	20	PDF	IES
	2500	19	2500	134	20	PDF	IES	2500	134	20	PDF	IES	2500	134	20	PDF	IES	2500	135	20	PDF	IES	2500	135	20	PDF	IES	2500	135	20	PDF	IES
	2000	15	2001	134	19	PDF	IES	2001	135	19	PDF	IES	2001	135	19	PDF	IES	2001	135	19	PDF	IES	2001	135	19	PDF	IES	2001	135	19	PDF	IES

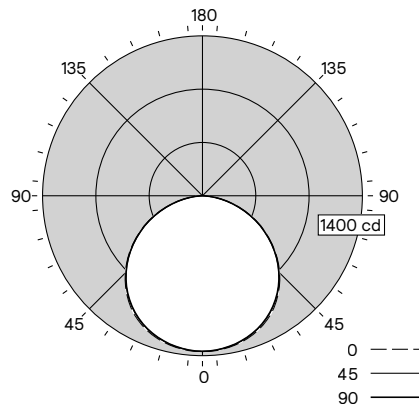
Pique Duo 2'x2' MesoOptics (Batwing)

Click "PDF" or "IES" text to download

Nominal CRI & CCT		CRI 90+, 2700K					CRI 90+, 3000K					CRI 90+, 3500K					CRI 90+, 4000K					CRI 90+, 5000K					CRI 90+, 6500K					
Lumen Package	Watts (W)	Flux (lm) <sup>1</sup>	Efficacy (LPW) <sup>1</sup>	UGR <sup>2</sup>	Photometry Report	IES File	Flux (lm) <sup>1</sup>	Efficacy (LPW) <sup>1</sup>	UGR <sup>2</sup>	Photometry Report	IES File	Flux (lm) <sup>1</sup>	Efficacy (LPW) <sup>1</sup>	UGR <sup>2</sup>	Photometry Report	IES File	Flux (lm) <sup>1</sup>	Efficacy (LPW) <sup>1</sup>	UGR <sup>2</sup>	Photometry Report	IES File	Flux (lm) <sup>1</sup>	Efficacy (LPW) <sup>1</sup>	UGR <sup>2</sup>	Photometry Report	IES File	Flux (lm) <sup>1</sup>	Efficacy (LPW) <sup>1</sup>	UGR <sup>2</sup>	Photometry Report	IES File	
Static White	5000	37	4842	133	20	PDF	IES	4950	136	20	PDF	IES	4991	137	20	PDF	IES	5120	140	20	PDF	IES	4930	136	20	PDF	IES					
	4500	33	4402	135	19	PDF	IES	4482	137	19	PDF	IES	4512	138	19	PDF	IES	4626	142	20	PDF	IES	4461	137	19	PDF	IES					
	4000	29	3939	136	19	PDF	IES	3990	137	19	PDF	IES	4026	138	19	PDF	IES	4131	142	19	PDF	IES	3981	138	19	PDF	IES					
	3500	25	3459	136	19	PDF	IES	3484	137	19	PDF	IES	3533	139	19	PDF	IES	3632	143	19	PDF	IES	3492	138	19	PDF	IES					
	3000	22	2966	137	18	PDF	IES	2972	136	18	PDF	IES	3033	139	18	PDF	IES	3127	144	18	PDF	IES	2997	138	18	PDF	IES					
	2500	18	2467	138	17	PDF	IES	2464	137	17	PDF	IES	2529	141	17	PDF	IES	2614	146	18	PDF	IES	2497	140	17	PDF	IES					
	2000	14	1966	138	17	PDF	IES	1968	137	17	PDF	IES	2020	140	17	PDF	IES	2090	145	17	PDF	IES	1994	139	17	PDF	IES					
Tunable White	5000	42	5000	118	20	PDF	IES	5000	118	20	PDF	IES	5000	119	20	PDF	IES	5000	119	20	PDF	IES	5000	119	20	PDF	IES	5000	120	20	PDF	IES
	4500	37	4502	121	19	PDF	IES	4502	121	19	PDF	IES	4502	122	19	PDF	IES	4502	122	19	PDF	IES	4502	122	19	PDF	IES	4502	123	19	PDF	IES
	4000	32	4001	124	19	PDF	IES	4001	124	19	PDF	IES	4001	124	19	PDF	IES	4001	125	19	PDF	IES	4001	125	19	PDF	IES	4001	126	19	PDF	IES
	3500	28	3502	126	19	PDF	IES	3502	127	19	PDF	IES	3502	127	19	PDF	IES	3502	127	19	PDF	IES	3502	128	19	PDF	IES	3502	128	19	PDF	IES
	3000	23	3002	129	18	PDF	IES	3002	129	18	PDF	IES	3002	129	18	PDF	IES	3002	129	18	PDF	IES	3002	130	18	PDF	IES	3002	130	18	PDF	IES
	2500	19	2499	130	17	PDF	IES	2499	131	17	PDF	IES	2499	131	17	PDF	IES	2499	131	17	PDF	IES	2499	131	17	PDF	IES	2499	131	17	PDF	IES
	2000	15	2001	131	17	PDF	IES	2001	131	17	PDF	IES	2001	131	17	PDF	IES	2001	131	17	PDF	IES	2001	131	17	PDF	IES	2001	131	17	PDF	IES

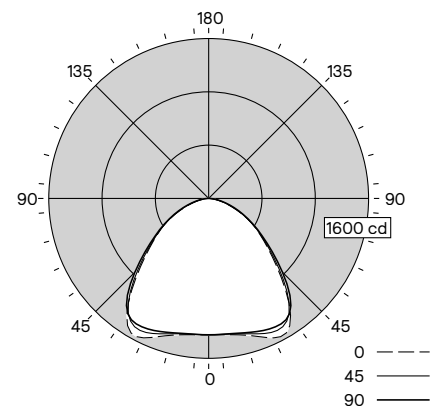
- Luminaire photometry has been conducted in accordance with IES LM-79-08. IES files can be downloaded by clicking the links in the table above, or online at ledalite.com.
- Unified Glare Rating (UGR) is calculated in accordance with CIE 117-1995. Reference conditions of 4Hx8Hx1H and reflectances of 70/50/20% have been applied using the procedure described in CIE 190-2010.
- For Tunable White, all IES files use 2700K data. Photometry Reports reflect the appropriate performance at the nominal CCT chosen.

Silk (Lambertian)



100% Down / 0% Up

MesoOptics (Batwing)



100% Down / 0% Up

# Pique Duo Architectural Recessed

## Photometry

### Pique Duo 2'x4' Silk (Lambertian)

Click "PDF" or "IES" text to download

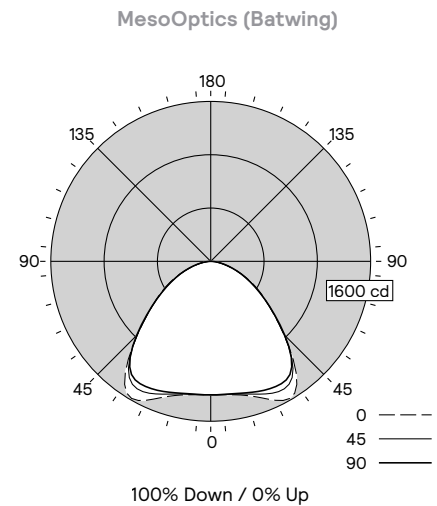
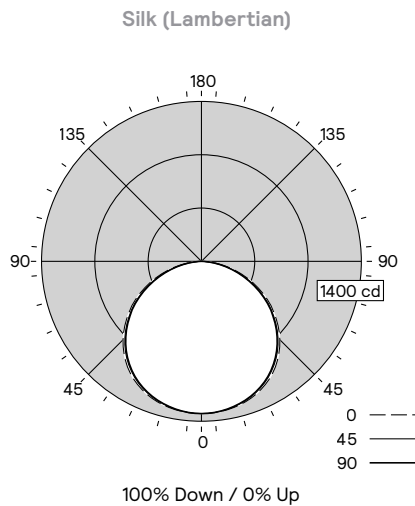
Nominal CRI & CCT		CRI 90+, 2700K					CRI 90+, 3000K					CRI 90+, 3500K					CRI 90+, 4000K					CRI 90+, 5000K					CRI 90+, 6500K					
Lumen Package	Watts (W)	Flux (lm)	Efficacy (LPW)	UGR <sup>2</sup>	Photometry Report	IES File	Flux (lm)	Efficacy (LPW)	UGR <sup>2</sup>	Photometry Report	IES File	Flux (lm)	Efficacy (LPW)	UGR <sup>2</sup>	Photometry Report	IES File	Flux (lm)	Efficacy (LPW)	UGR <sup>2</sup>	Photometry Report	IES File	Flux (lm)	Efficacy (LPW)	UGR <sup>2</sup>	Photometry Report	IES File	Flux (lm)	Efficacy (LPW)	UGR <sup>2</sup>	Photometry Report	IES File	
Static White	8000	59	7759	130	21	PDF IES	7897	134	21	PDF IES	7980	135	21	PDF IES	8174	138	21	PDF IES	8257	140	21	PDF IES										
	7500	55	7298	131	21	PDF IES	7439	135	21	PDF IES	7513	136	21	PDF IES	7704	139	21	PDF IES	7772	141	21	PDF IES										
	7000	52	6842	131	21	PDF IES	6984	134	21	PDF IES	7047	135	21	PDF IES	7235	139	21	PDF IES	7278	140	21	PDF IES										
	6500	48	6378	133	20	PDF IES	6519	136	20	PDF IES	6571	137	20	PDF IES	6753	141	21	PDF IES	6764	142	21	PDF IES										
	6000	44	5914	135	20	PDF IES	6052	139	20	PDF IES	6093	139	20	PDF IES	6268	144	20	PDF IES	6244	143	20	PDF IES										
	5500	40	5438	136	20	PDF IES	5568	140	20	PDF IES	5601	141	20	PDF IES	5764	146	20	PDF IES	5707	145	20	PDF IES										
	5000	35	4952	139	20	PDF IES	5071	143	20	PDF IES	5099	144	20	PDF IES	5245	148	20	PDF IES	5160	146	20	PDF IES										
	4500	32	4461	141	19	PDF IES	4564	144	19	PDF IES	4590	145	19	PDF IES	4714	150	19	PDF IES	4611	146	19	PDF IES										
Tunable White	4000	28	3949	142	19	PDF IES	4032	145	19	PDF IES	4061	146	19	PDF IES	4156	150	19	PDF IES	4049	146	19	PDF IES										
	5000	39	5001	130	20	PDF IES	5001	130	20	PDF IES	5001	130	20	PDF IES	5001	130	20	PDF IES	5001	130	20	PDF IES	5001	129	20	PDF IES						
	4500	34	4498	132	19	PDF IES	4498	132	19	PDF IES	4498	132	19	PDF IES	4498	132	19	PDF IES	4498	131	19	PDF IES	4498	131	19	PDF IES						
4000	30	3998	133	19	PDF IES	3998	133	19	PDF IES	3998	133	19	PDF IES	3998	133	19	PDF IES	3998	133	19	PDF IES	3998	133	19	PDF IES							

### Pique Duo 2'x4' MesoOptics (Batwing)

Click "PDF" or "IES" text to download

Nominal CRI & CCT		CRI 90+, 2700K					CRI 90+, 3000K					CRI 90+, 3500K					CRI 90+, 4000K					CRI 90+, 5000K					CRI 90+, 6500K						
Lumen Package	Watts (W)	Flux (lm)	Efficacy (LPW)	UGR <sup>2</sup>	Photometry Report	IES File	Flux (lm)	Efficacy (LPW)	UGR <sup>2</sup>	Photometry Report	IES File	Flux (lm)	Efficacy (LPW)	UGR <sup>2</sup>	Photometry Report	IES File	Flux (lm)	Efficacy (LPW)	UGR <sup>2</sup>	Photometry Report	IES File	Flux (lm)	Efficacy (LPW)	UGR <sup>2</sup>	Photometry Report	IES File	Flux (lm)	Efficacy (LPW)	UGR <sup>2</sup>	Photometry Report	IES File		
Static White	8000	59	7878	132	19	PDF IES	8019	136	19	PDF IES	8103	137	19	PDF IES	8300	140	19	PDF IES	8384	142	19	PDF IES											
	7500	55	7410	133	19	PDF IES	7554	137	19	PDF IES	7629	138	19	PDF IES	7822	141	19	PDF IES	7892	143	19	PDF IES											
	7000	52	6942	133	18	PDF IES	7086	137	19	PDF IES	7150	137	19	PDF IES	7340	141	19	PDF IES	7384	142	19	PDF IES											
	6500	48	6470	135	18	PDF IES	6614	139	18	PDF IES	6667	140	18	PDF IES	6851	144	18	PDF IES	6862	144	18	PDF IES											
	6000	44	5994	137	18	PDF IES	6134	141	18	PDF IES	6176	141	18	PDF IES	6352	146	18	PDF IES	6328	146	18	PDF IES											
	5500	39	5505	139	18	PDF IES	5637	143	18	PDF IES	5670	143	18	PDF IES	5835	148	18	PDF IES	5776	147	18	PDF IES											
	5000	35	5011	141	17	PDF IES	5132	145	17	PDF IES	5159	146	17	PDF IES	5307	151	18	PDF IES	5220	148	17	PDF IES											
	4500	31	4505	143	17	PDF IES	4610	147	17	PDF IES	4636	148	17	PDF IES	4760	152	17	PDF IES	4656	149	17	PDF IES											
Tunable White	4000	28	3985	143	17	PDF IES	4068	147	17	PDF IES	4099	149	17	PDF IES	4193	152	17	PDF IES	4084	149	17	PDF IES											
	5000	38	5002	132	17	PDF IES	5002	132	17	PDF IES	5002	132	17	PDF IES	5002	132	17	PDF IES	5002	132	17	PDF IES	5002	132	17	PDF IES	5002	132	17	PDF IES			
	4500	34	4498	134	17	PDF IES	4498	134	17	PDF IES	4498	134	17	PDF IES	4498	134	17	PDF IES	4498	134	17	PDF IES	4498	134	17	PDF IES	4498	133	17	PDF IES			
4000	30	3995	135	17	PDF IES	3995	136	17	PDF IES	3995	135	17	PDF IES	3995	135	17	PDF IES	3995	135	17	PDF IES	3995	135	17	PDF IES	3995	135	17	PDF IES				

- Luminaire photometry has been conducted in accordance with IES LM-79-08. IES files can be downloaded by clicking the links in the table above, or online at ledalite.com.
- Unified Glare Rating (UGR) is calculated in accordance with CIE 117-1995. Reference conditions of 4Hx8Hx1H and reflectances of 70/50/20% have been applied using the procedure described in CIE 190-2010.
- For Tunable White, all IES files use 2700K data. Photometry Reports reflect the appropriate performance at the nominal CCT chosen.



# Pique Duo Architectural Recessed

## Photometry

### Pique Duo 1'x4' Silk (Lambertian)

Click "PDF" or "IES" text to download

Nominal CRI & CCT		CRI 90+, 2700K					CRI 90+, 3000K					CRI 90+, 3500K					CRI 90+, 4000K					CRI 90+, 5000K					CRI 90+, 6500K					
Lumen Package	Watts (W)	Flux (lm) <sup>1</sup>	Efficacy (LPW) <sup>2</sup>	UGR <sup>3</sup>	Photometry Report	IES File	Flux (lm) <sup>1</sup>	Efficacy (LPW) <sup>2</sup>	UGR <sup>3</sup>	Photometry Report	IES File	Flux (lm) <sup>1</sup>	Efficacy (LPW) <sup>2</sup>	UGR <sup>3</sup>	Photometry Report	IES File	Flux (lm) <sup>1</sup>	Efficacy (LPW) <sup>2</sup>	UGR <sup>3</sup>	Photometry Report	IES File	Flux (lm) <sup>1</sup>	Efficacy (LPW) <sup>2</sup>	UGR <sup>3</sup>	Photometry Report	IES File	Flux (lm) <sup>1</sup>	Efficacy (LPW) <sup>2</sup>	UGR <sup>3</sup>	Photometry Report	IES File	
Static White	5000	38	4707	125	21	PDF	IES	4885	129	21	PDF	IES	5013	132	21	PDF	IES	5058	133	21	PDF	IES	4915	130	21	PDF	IES					
	4500	34	4284	127	21	PDF	IES	4437	131	21	PDF	IES	4527	134	21	PDF	IES	4568	135	21	PDF	IES	4443	132	21	PDF	IES					
	4000	30	3843	129	20	PDF	IES	3968	132	21	PDF	IES	4031	134	21	PDF	IES	4074	136	21	PDF	IES	3961	133	21	PDF	IES					
	3500	26	3392	130	20	PDF	IES	3490	133	20	PDF	IES	3534	134	20	PDF	IES	3582	136	20	PDF	IES	3477	133	20	PDF	IES					
	3000	23	2921	130	19	PDF	IES	2994	133	20	PDF	IES	3025	134	20	PDF	IES	3078	137	20	PDF	IES	2982	134	20	PDF	IES					
	2500	19	2436	132	19	PDF	IES	2489	135	19	PDF	IES	2514	136	19	PDF	IES	2566	139	19	PDF	IES	2481	135	19	PDF	IES					
	2000	15	1940	132	18	PDF	IES	1982	135	18	PDF	IES	2004	135	18	PDF	IES	2047	138	18	PDF	IES	1978	135	18	PDF	IES					
Tunable White	5000	43	4999	117	21	PDF	IES	4999	117	21	PDF	IES	4999	117	21	PDF	IES	4999	118	21	PDF	IES	4999	118	21	PDF	IES	4999	119	21	PDF	IES
	4500	37	4500	120	21	PDF	IES	4500	120	21	PDF	IES	4500	120	21	PDF	IES	4500	121	21	PDF	IES	4500	121	21	PDF	IES	4500	121	21	PDF	IES
	4000	32	4001	123	21	PDF	IES	4001	123	21	PDF	IES	4001	123	21	PDF	IES	4001	123	21	PDF	IES	4001	124	21	PDF	IES	4001	124	21	PDF	IES
	3500	28	3502	125	20	PDF	IES	3502	125	20	PDF	IES	3502	126	20	PDF	IES	3502	126	20	PDF	IES	3502	126	20	PDF	IES	3502	127	20	PDF	IES
	3000	23	3002	127	20	PDF	IES	3002	128	20	PDF	IES	3002	128	20	PDF	IES	3002	128	20	PDF	IES	3002	128	20	PDF	IES	3002	129	20	PDF	IES
	2500	19	2499	130	19	PDF	IES	2499	129	19	PDF	IES	2499	129	19	PDF	IES	2499	130	19	PDF	IES	2499	130	19	PDF	IES	2499	130	19	PDF	IES
	2000	15	2000	130	18	PDF	IES	2000	130	18	PDF	IES	2000	130	18	PDF	IES	2000	130	18	PDF	IES	2000	130	18	PDF	IES	2000	130	18	PDF	IES

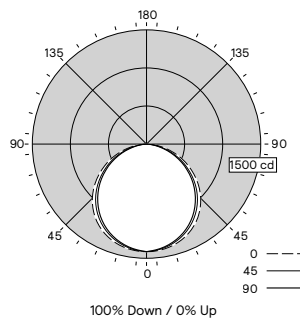
### Pique Duo 1'x4' MesoOptics (Batwing)

Click "PDF" or "IES" text to download

Nominal CRI & CCT		CRI 90+, 2700K					CRI 90+, 3000K					CRI 90+, 3500K					CRI 90+, 4000K					CRI 90+, 5000K					CRI 90+, 6500K					
Lumen Package	Watts (W)	Flux (lm) <sup>1</sup>	Efficacy (LPW) <sup>2</sup>	UGR <sup>3</sup>	Photometry Report	IES File	Flux (lm) <sup>1</sup>	Efficacy (LPW) <sup>2</sup>	UGR <sup>3</sup>	Photometry Report	IES File	Flux (lm) <sup>1</sup>	Efficacy (LPW) <sup>2</sup>	UGR <sup>3</sup>	Photometry Report	IES File	Flux (lm) <sup>1</sup>	Efficacy (LPW) <sup>2</sup>	UGR <sup>3</sup>	Photometry Report	IES File	Flux (lm) <sup>1</sup>	Efficacy (LPW) <sup>2</sup>	UGR <sup>3</sup>	Photometry Report	IES File	Flux (lm) <sup>1</sup>	Efficacy (LPW) <sup>2</sup>	UGR <sup>3</sup>	Photometry Report	IES File	
Static White	5000	38	4701	124	20	PDF	IES	4879	129	20	PDF	IES	5006	132	20	PDF	IES	5051	133	20	PDF	IES	4909	130	20	PDF	IES					
	4500	34	4289	127	20	PDF	IES	4442	131	20	PDF	IES	4533	133	20	PDF	IES	4574	135	20	PDF	IES	4449	132	20	PDF	IES					
	4000	30	3838	128	19	PDF	IES	3963	132	19	PDF	IES	4026	134	19	PDF	IES	4069	136	19	PDF	IES	3956	133	19	PDF	IES					
	3500	26	3388	129	19	PDF	IES	3485	133	19	PDF	IES	3529	134	19	PDF	IES	3577	136	19	PDF	IES	3473	133	19	PDF	IES					
	3000	23	2917	130	18	PDF	IES	2990	133	18	PDF	IES	3022	134	18	PDF	IES	3074	137	18	PDF	IES	2978	134	18	PDF	IES					
	2500	19	2433	132	18	PDF	IES	2486	134	18	PDF	IES	2511	136	18	PDF	IES	2563	139	18	PDF	IES	2478	135	18	PDF	IES					
	2000	15	1937	132	17	PDF	IES	1979	135	17	PDF	IES	2001	135	17	PDF	IES	2044	138	17	PDF	IES	1975	134	17	PDF	IES					
Tunable White	5000	43	5000	117	20	PDF	IES	5000	117	20	PDF	IES	5000	117	20	PDF	IES	5000	117	20	PDF	IES	5000	118	20	PDF	IES	5000	118	20	PDF	IES
	4500	37	4500	120	20	PDF	IES	4500	120	20	PDF	IES	4500	120	20	PDF	IES	4500	120	20	PDF	IES	4500	121	20	PDF	IES	4500	121	20	PDF	IES
	4000	32	4001	122	19	PDF	IES	4001	123	19	PDF	IES	4001	123	19	PDF	IES	4001	123	19	PDF	IES	4001	124	19	PDF	IES	4001	124	19	PDF	IES
	3500	28	3500	125	19	PDF	IES	3500	125	19	PDF	IES	3500	126	19	PDF	IES	3500	126	19	PDF	IES	3500	126	19	PDF	IES	3500	126	19	PDF	IES
	3000	23	2998	127	18	PDF	IES	2998	127	18	PDF	IES	2998	128	18	PDF	IES	2998	128	18	PDF	IES	2998	128	18	PDF	IES	2998	128	18	PDF	IES
	2500	19	2499	129	18	PDF	IES	2499	129	18	PDF	IES	2499	129	18	PDF	IES	2499	129	18	PDF	IES	2499	130	18	PDF	IES	2499	130	18	PDF	IES
	2000	15	2000	129	17	PDF	IES	2000	129	17	PDF	IES	2000	130	17	PDF	IES	2000	130	17	PDF	IES	2000	130	17	PDF	IES	2000	130	17	PDF	IES

- Luminaire photometry has been conducted in accordance with IES LM-79-08. IES files can be downloaded by clicking the links in the table above, or online at [ledalite.com](http://ledalite.com).
- Unified Glare Rating (UGR) is calculated in accordance with CIE 117-1995. Reference conditions of 4Hx8Hx1H and reflectances of 70/50/20% have been applied using the procedure described in CIE 190-2010.
- For Tunable White, all IES files use 2700K data. Photometry Reports reflect the appropriate performance at the nominal CCT chosen.

Silk (Lambertian)



MesoOptics (Batwing)

