

**GENLYTE**  
SOLUTIONS

# Remarkable lighting, sustainably printed

High/Low Bay, Pendants  
and Track Head fixtures

Powered by **myCreation**



# Table of Contents

## About

Forging the cutting edge.....	Page 1
Sustainability at the core.....	Page 2
American made & shipped.....	Page 3

## Pendants

ICY Flex Cylinder 2".....	Pages 4-9
ICY Cylinder 3".....	Pages 10-11
Single Series.....	Pages 12-13
RD Series .....	Pages 14-15
PD Series .....	Pages 16-17

## Track Lighting

LumaShine Series.....	Pages 18-19
MS Series.....	Pages 20-21

## High Bays & Low Bays

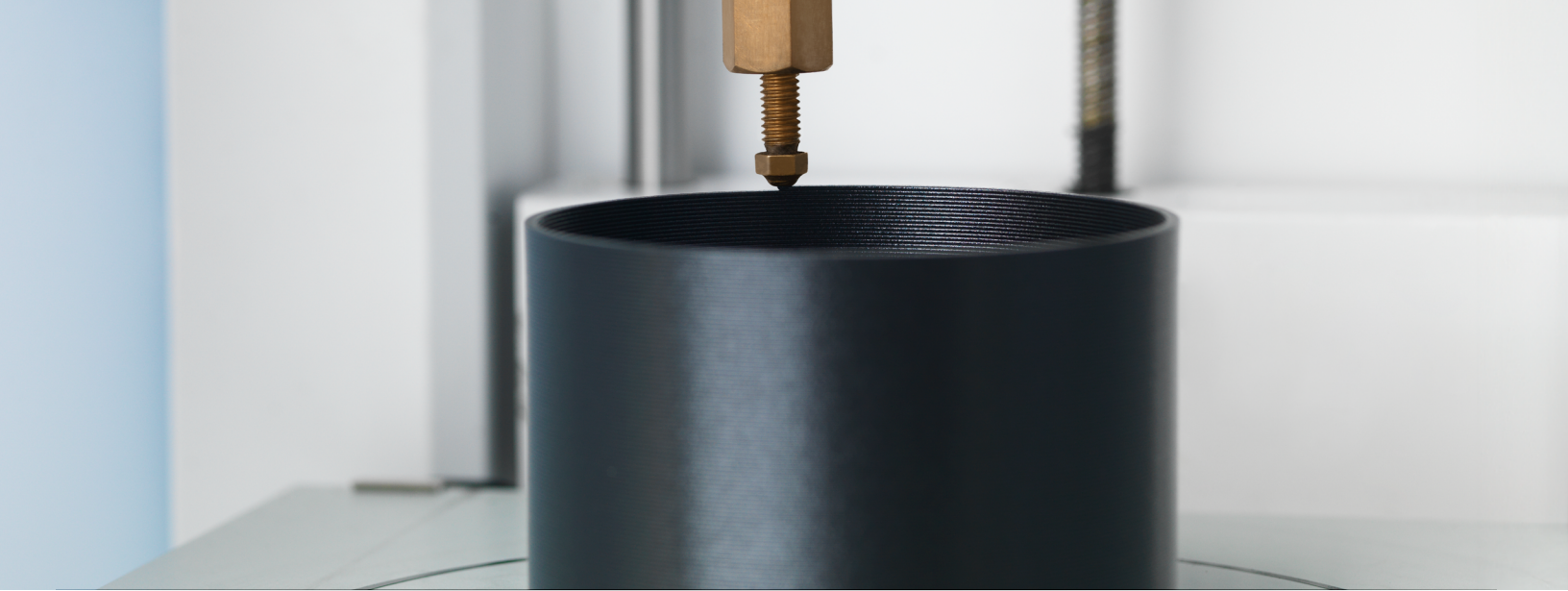
IHB Gen 2.....	Pages 22-23
BAL Series.....	Pages 24-25
PM Series Series.....	Pages 26-27
RHG Series.....	Pages 28-29

## Accessories

Vetro.....	Page 30
------------	---------

## Additional Resources

Visual Configurators.....	Page 31
Aesthetic Options.....	Pages 32-33



# Forging the cutting edge

Genlyte is transforming the lighting industry with myCreation, an advanced additive manufacturing technology that enables rapid production of high-quality, customizable luminaires for select Lightolier and Day-Brite/CFI portfolios.

myCreation technology streamlines design-to-delivery with on-demand colors, textures, and configurations—while reducing components and using 3D-printed parts made from at least 75% recycled or mass-balanced, bio-circular materials.

When you see the myCreation logo, you'll know that product is powered by myCreation technology, making it customizable for indoor applications in hospitality, retail and offices, while also contributing to a more sustainable future.

Powered by **myCreation**



Create or co-create beautiful lighting with an intuitive online configurator that allows step-by-step customization.



Use of recycled polycarbonate materials and on-demand local production reduces waste and carbon emissions.



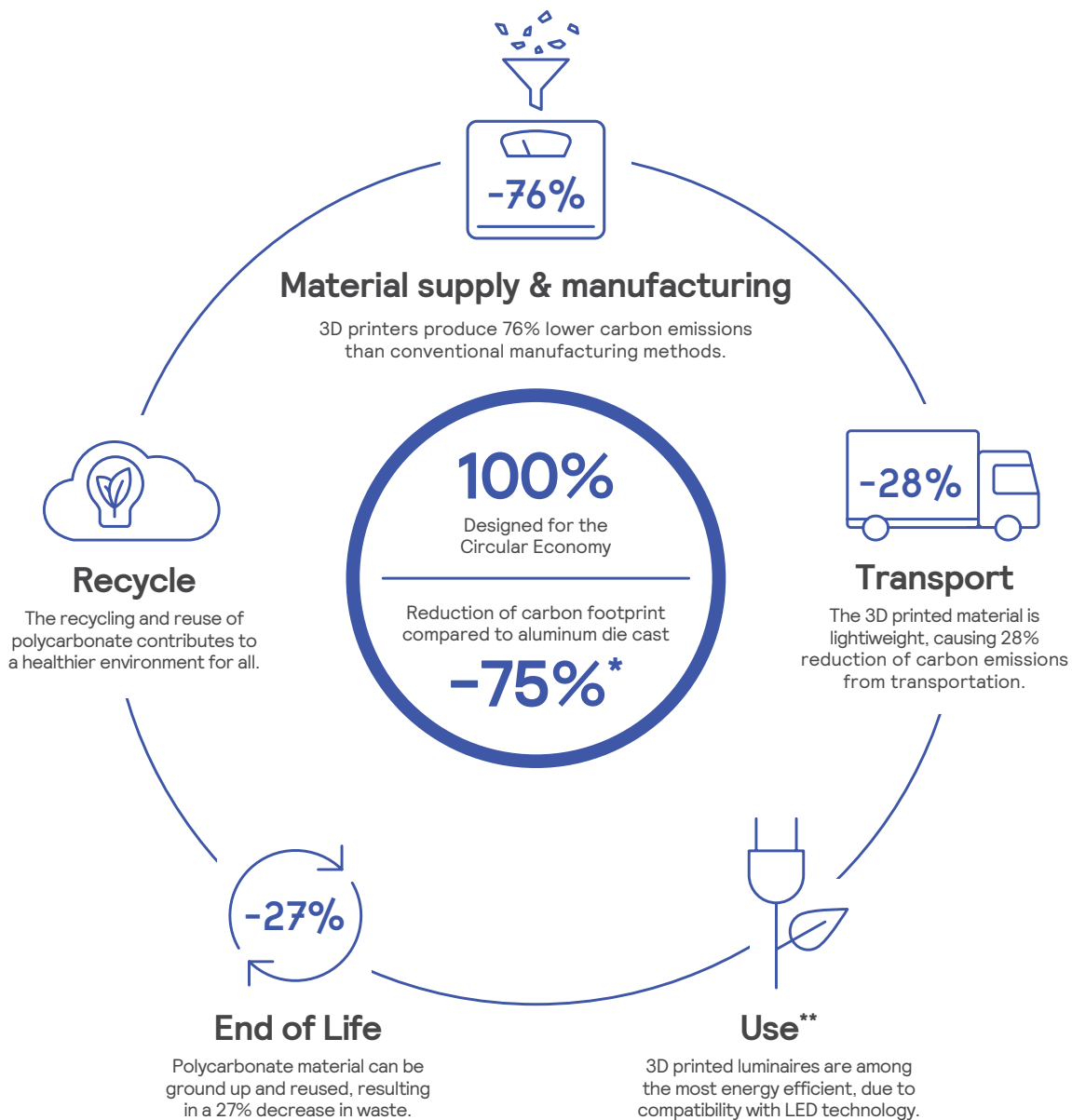
Our method of printing luminaires in the U.S. shortens the tailored manufacturing process from months to weeks.



Quality material with a high impact rating allows for durable, high-performance energy-efficient lighting solutions.

# Sustainability at the core

Our myCreation additive manufacturing process minimizes waste. Designed for the circular economy, these luminaires can help reduce your carbon footprint, using printed parts with at least 75% recycled and bio-circular materials, and reducing energy use in production. These luminaires are DLC Premium listed, ISCC certified, and have Red List approved Declare labels. **Printed parts are 100% recyclable at end-of-life.**



\* 75% reduction of carbon emissions from 3D printing, only compared to traditional downlights made from aluminum die cast. Only includes material supply, manufacturing and transport phases.

\*\* The use phase, though having the highest impact during the life cycle, is excluded as it is the same between the 2 compared products.

Note: Data based on comparison of a traditionally manufactured downlight using a die casted housing with a 3D printed downlight in polycarbonate. Data for other products will vary.

# American made & shipped



With our operations and factory facilities located conveniently along the East Coast of the United States we can domestically produce and deliver your luminaires.

We are effectively cutting out overseas shipping to reduce carbon emissions and accelerate your delivery time, among the fastest for customized products.



## Buy American Act

As of the date of this document, our 3D Printed Luminaires meet the domestic preference requirements of the Buy American Act of 1933 (BAA). Prior to ordering a product, you should confirm the product's current compliance.



For a current list of BAA-compliant products please visit us online at:  
[www.signify.com/en-us/portfolio/baa](http://www.signify.com/en-us/portfolio/baa)



Powered by myCreation

# ICY Flex Pendant 2"



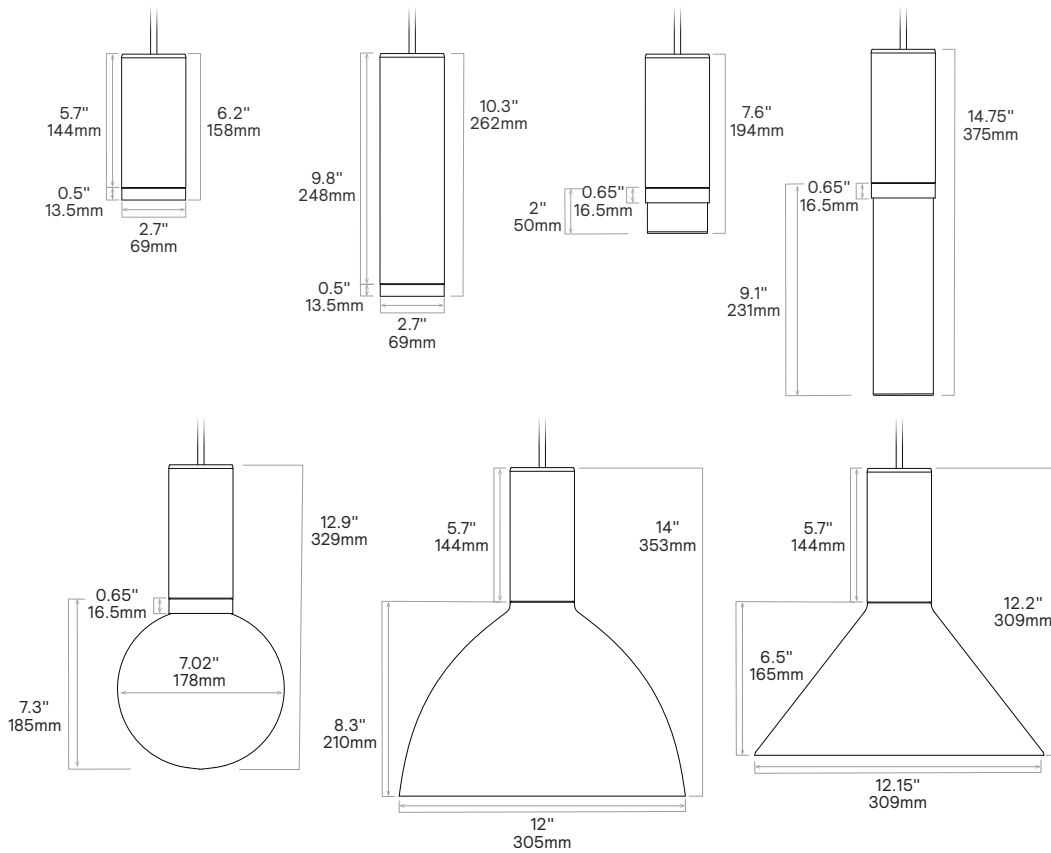
## Decorative cylinders

Bring together functional performance, decorative appeal, and true modularity in one cohesive system. Lightolier ICY Flex Pendant 2" offers 2 housing heights, 5 decorative elements, and 8 colors for customization across cylinder housing, decorative elements and adapter rings. Hang in curated clusters or create a focal point with uniquely customized pendants tailored to your space.

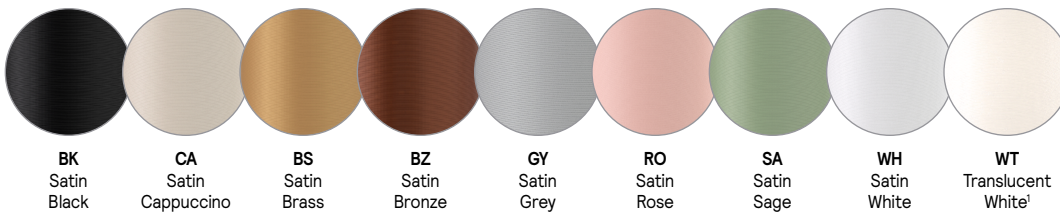
## Specifications

- 2 housing heights, 6" and 10", to pair with decorative elements or display as cylinder only
- 5 decorative elements: Cone, Bell, Globe, Tube Short, Tube Tall
- 8 colors for housing, trim and adapter ring
- 2 light levels: 1000lm & 1500lm
- 4 beam angles, 4 CCT options, and 90 CRI for optimal visual appearance
- Cable or Stem mount options

# Decorative Elements



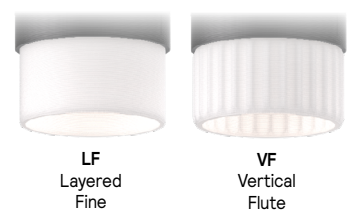
## Colors



For Cylinder Housing and Cone & Bell Decorative Elements

For Globe, Tube Short & Tube Tall

## Textures



For Tube Short & Tube Tall Only

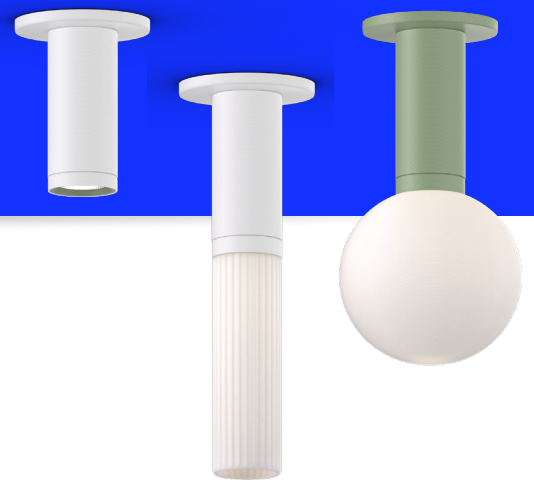


To configure the Lightolier ICY Flex Pendant 2", scan or visit:  
<https://www.3dconfigurator.mycreation.signify.com/lightolier/TCLCY2I>



Powered by **myCreation**

# ICY Flex Surface 2"



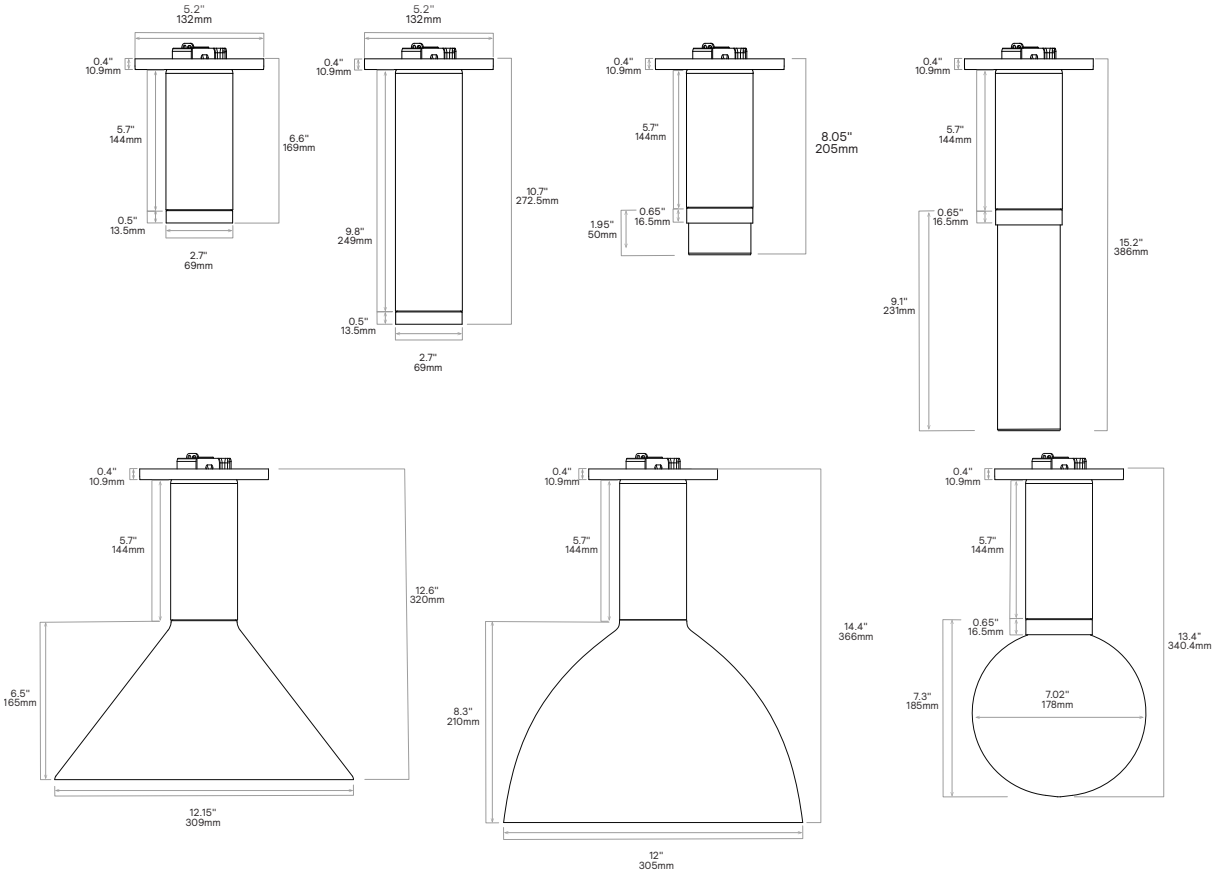
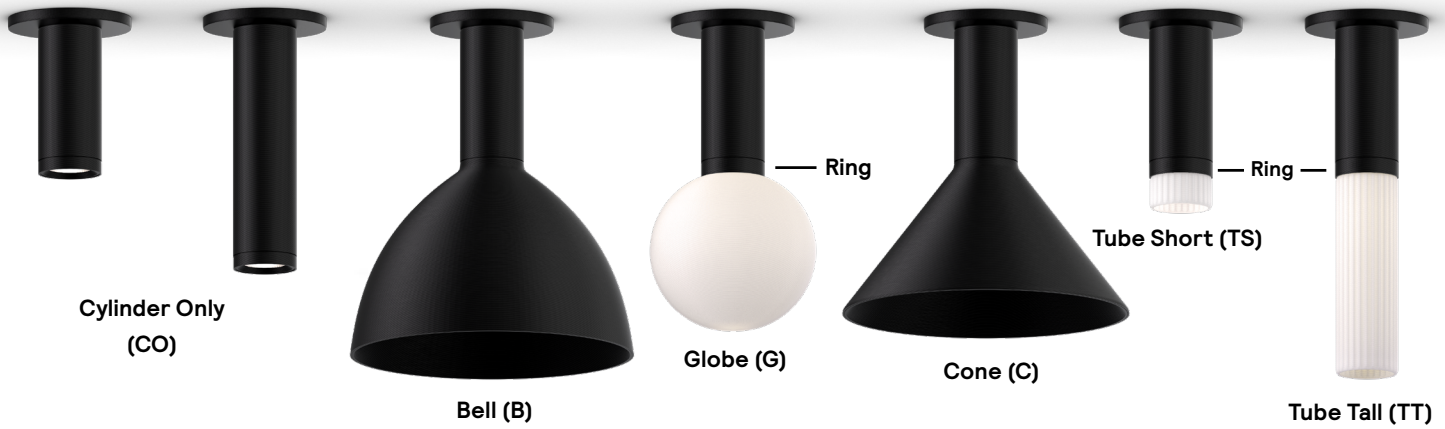
## Decorative cylinders

Bring together functional performance, decorative appeal, and true modularity in one cohesive system. Lightolier ICY Flex Surface 2" offers 2 housing heights, 5 decorative elements, and 8 colors for customization across the housing, decorative element and adapter rings. Designed to make a statement or integrate seamlessly for spaces where surface mount shines.

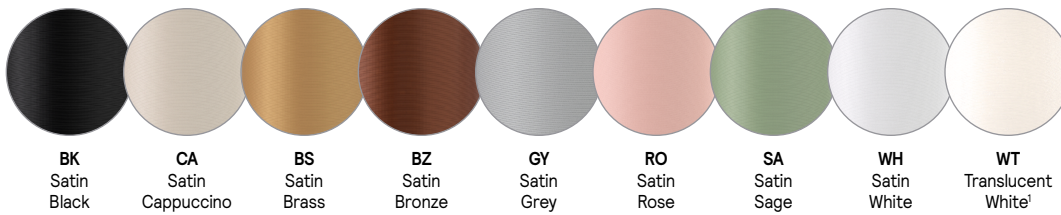
## Specifications

- 2 housing heights, 6" and 10", to pair with decorative elements or display as cylinder only
- 5 decorative elements: Cone, Bell, Globe, Tube Short, Tube Tall
- 8 colors for housing, trim and adapter ring
- 2 light levels: 1000lm & 1500lm
- 4 beam angles, 4 CCT options, and 90 CRI for optimal visual appearance

# Decorative Elements



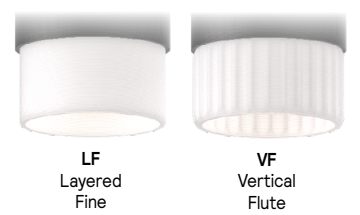
## Colors



For Cylinder Housing and Cone & Bell Decorative Elements

For Globe, Tube Short & Tube Tall

## Textures



For Tube Short & Tube Tall Only



To configure the Lightolier ICY Flex Surface 2", scan or visit:  
<https://www.3dconfigurator.mycreation.signify.com/lightolier/TCLCY2I>



Powered by **myCreation**

# ICY Flex Wall 2"



## Decorative cylinders

Bring together functional performance, decorative appeal, and true modularity in one cohesive system. Lightolier ICY Flex Wall 2" offers 2 housing heights, 2 decorative elements, and 8 colors for customization across the housing, decorative element and adapter rings. Configure your design and optics with additional light levels and distribution options available only for wall.

## Specifications

- 2 housing heights, 6" and 10", to pair with decorative elements or display as cylinder only
- 2 decorative elements: Tube Short, Tube Tall
- 8 colors for housing, trim and adapter ring
- 3 light levels: 1000lm, 1500lm, 2000lm (DI 10" Tall Only)
- Direct Only & Direct-Indirect distributions available
- 4 beam angles, 4 CCT options, and 90 CRI for optimal visual appearance

## Decorative Elements



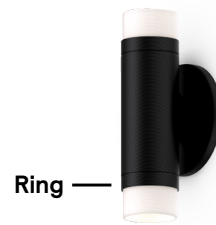
Cylinder Only (CO)



Ring



Tube Tall (TT)



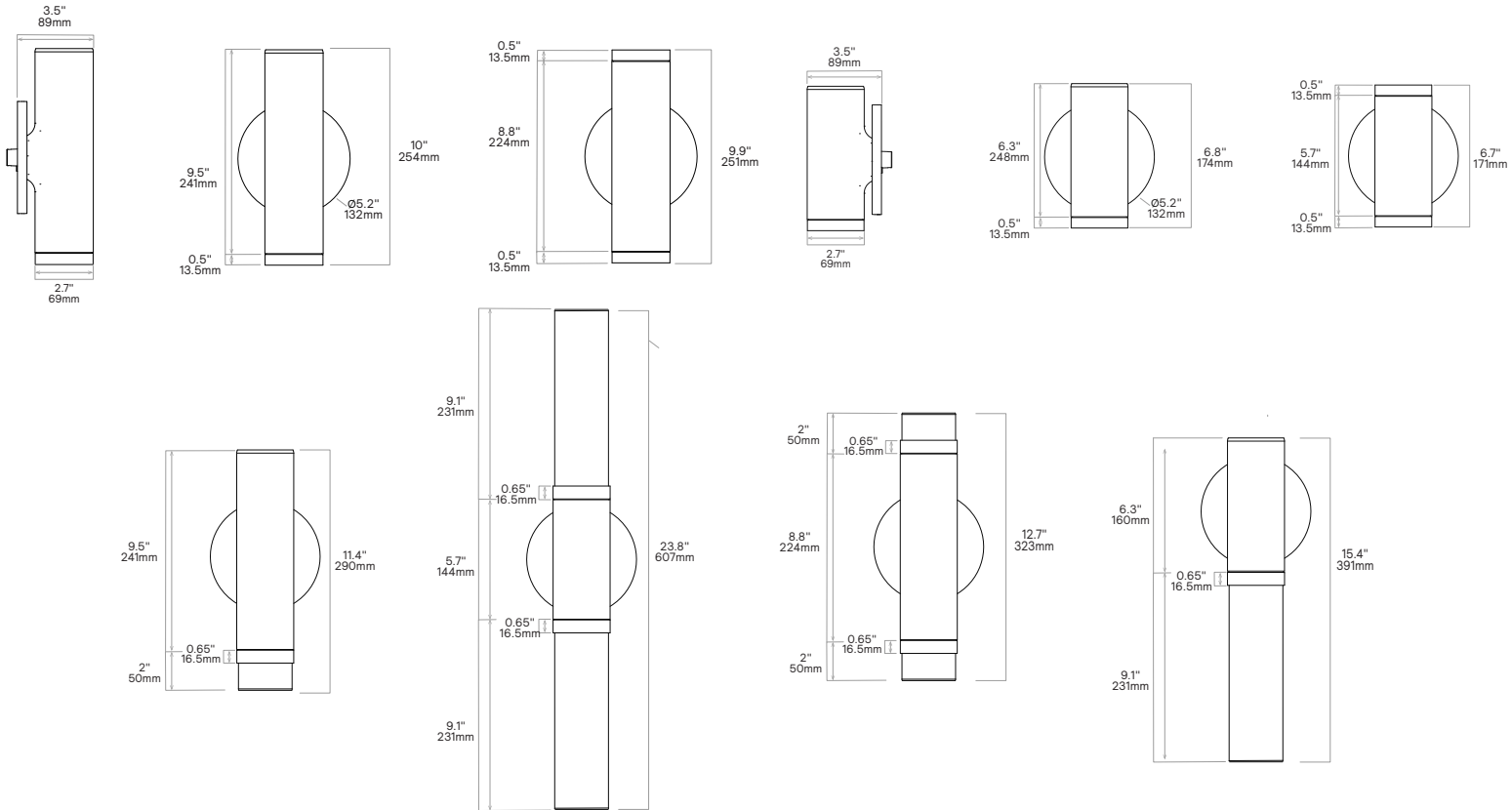
Ring

Tube Short (TS)

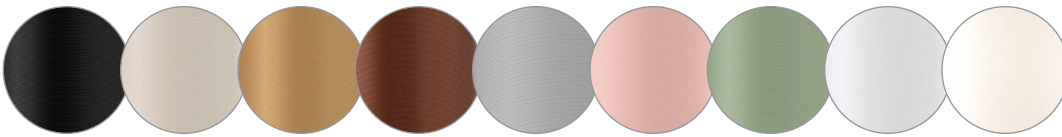


Ring

Tube Tall (TT)



## Colors



BK  
Satin  
Black

CA  
Satin  
Cappuccino

BS  
Satin  
Brass

BZ  
Satin  
Bronze

GY  
Satin  
Grey

RO  
Satin  
Rose

SA  
Satin  
Sage

WH  
Satin  
White

WT  
Translucent  
White<sup>1</sup>

For Cylinder Housing and Trim

For Tube Short & Tube Tall

## Textures



LF  
Layered  
Fine

VF  
Vertical  
Flute

For Tube Short & Tube Tall Only

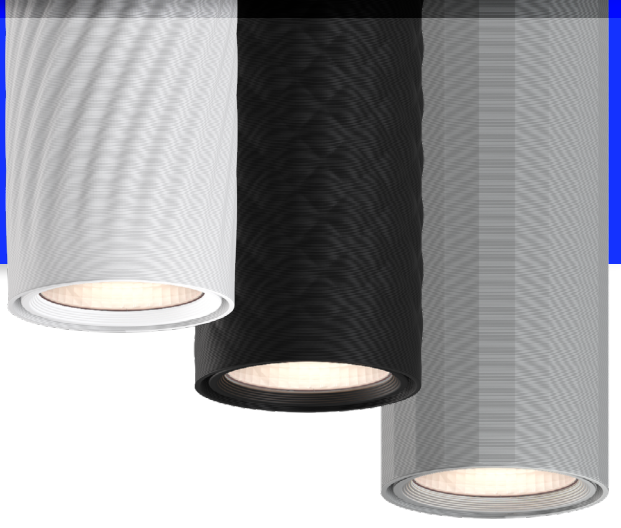


To configure the Lightolier ICY Flex Wall 2", scan or visit:  
<https://www.3dconfigurator.mycreation.signify.com/lightolier/TCLCY2I>



Powered by **myCreation**

# ICY Cylinder 3"



## Decorative cylinders

Create dynamic decorative styles for your indoor application projects with this LED 3-inch round cylinder. The Lightolier ICY Cylinder 3" allows for many different combinations, tailored to seamlessly match your environment. These cylinders are CRI 90 in all models across the three lumen packages offered. Unleash your inner creator and select from the many options these cylinders have to offer.

## Specifications

- Shades of 8 in-stock colors (plus on-demand colors) and 4 texture options
- Dimensions of 10" x 3.46"
- Mounting cable (3 colors) or stem options (2 colors)
- Canopy conical or disk options available

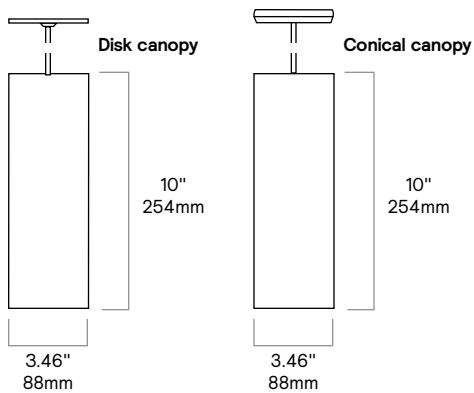
## Colors



## Textures



## Dimensions

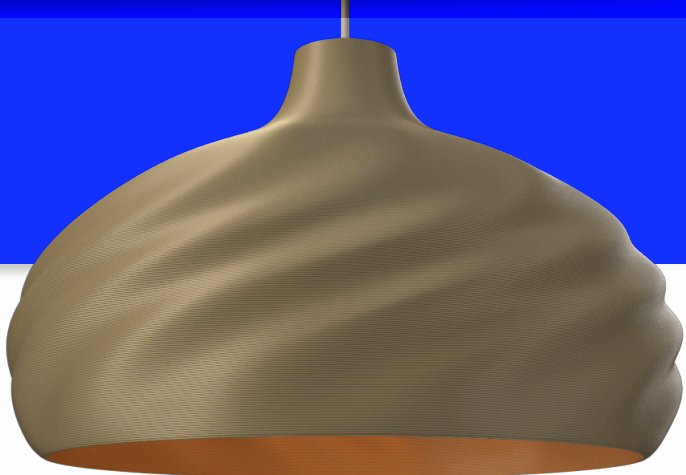


To configure the Lightolier ICY Cylinder 3", scan or visit:  
<https://www.3dconfigurator.mycreation.signify.com/lightolier/TCLCY3I>



Powered by **myCreation**

# Single Series



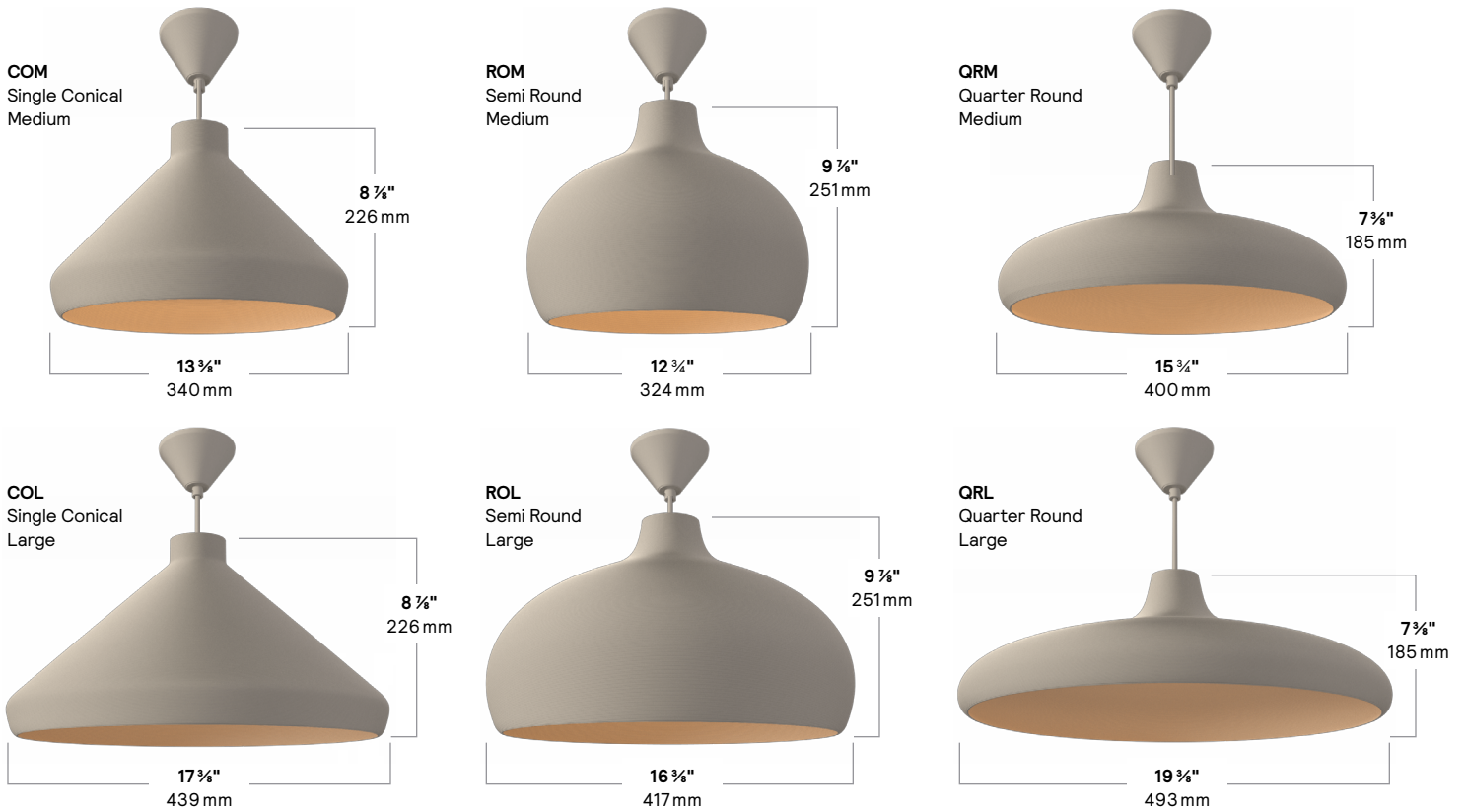
## Decorative pendants

Whether in a large space or a more intimate environment, combinations of Lightolier Single Series shades can create the perfect blend for an elegant and sophisticated atmosphere. These pendants are the finishing touch to a contemporary interior style, calling attention to various kinds of gathering areas for work, play, or contemplation.

## Specifications

- Larger shade designs in up to 19 inches
- Variety of 3 shapes available in 2 sizes (medium and large sizes)
- Customizable finishes in 5 textures and 8 in-stock colors available (plus on-demand colors)
- Mounting is available in E26, track or GU25 mounting, allowing for a variety of lighting options

## Models



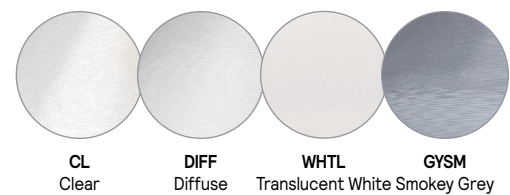
## Textures



## Satin Colors



## Transparent Colors



To configure the Lightolier Single Series, scan or visit:  
<https://www.3dconfigurator.mycreation.signify.com/lightolier/TCLS11>



Powered by **myCreation**

# RD Series



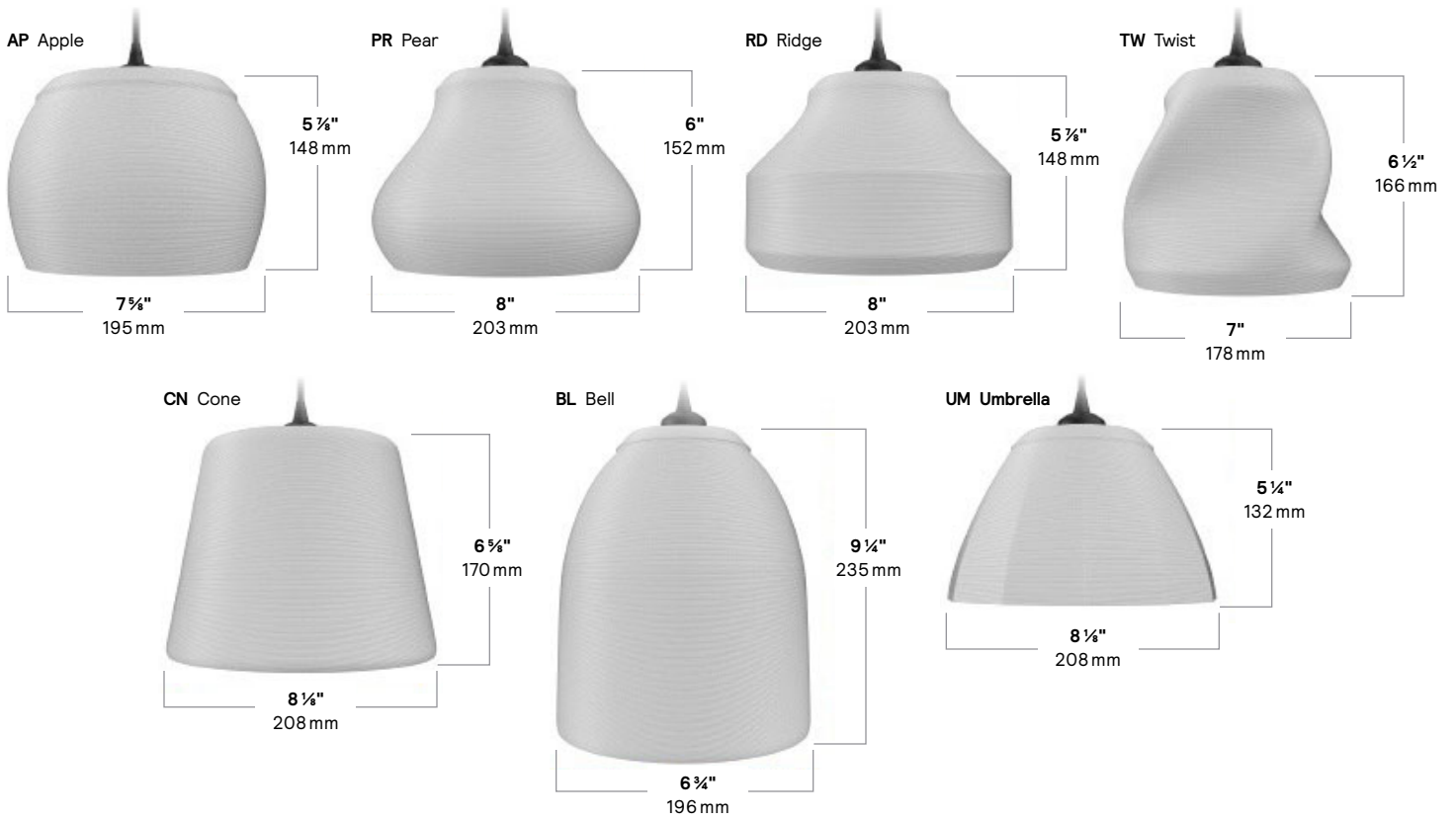
## Decorative pendants

Tailor your decorative pendants to your project with the Lightolier RD Series. Create new decorative styles by selecting from a variety of polycarbonate materials, visually rich surface textures and unique and creative shapes.

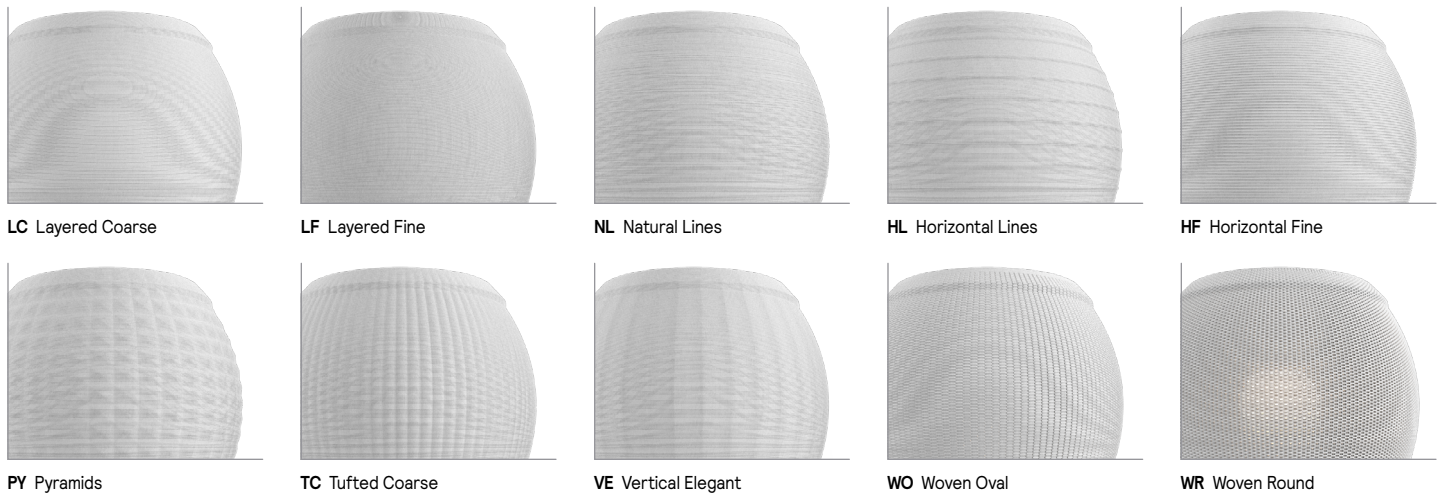
## Specifications

- Up to 170,000 unique combinations
- Variety of textures and finishes in 7 original shapes
- Customizable finishes of 11 colors and 10 texture options
- Mounting is available in E26, track or GU24, allowing for a variety of lighting options
- Suspension is supplied with a 10 ft cable

## Styles



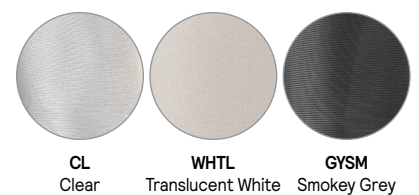
## Textures



## Satin Colors



## Transparent Colors

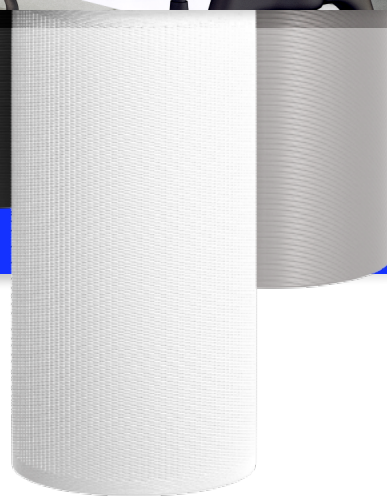


To configure the Lightolier RD Series, scan or visit:  
<https://www.3dconfigurator.mycreation.signify.com/lightolier/TCLSS11>



Powered by **myCreation**

# PD Series



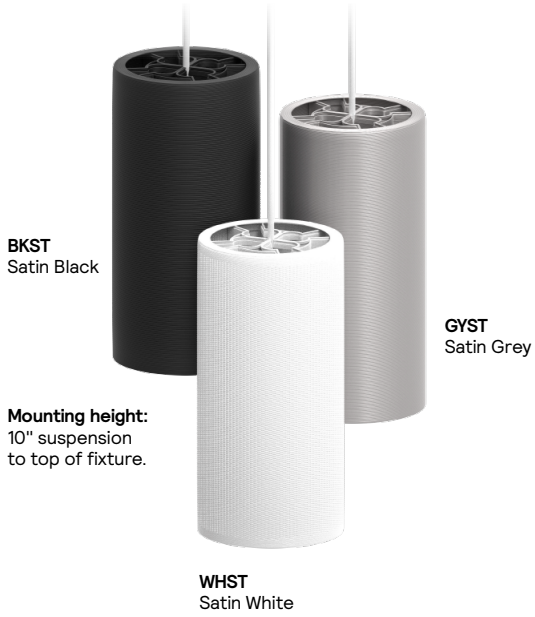
## Decorative cylinders

A classic PAR38 cylinder, our Lightolier PD Series, with new surface textures and finish options, eases long-term maintenance with the timeless industry standard E26 socket. The newest Philips PAR38 LED lamps allow for options including up to 2500 lumen output, CRI 90 and classic housings.

## Specifications

- Up to 170,000 unique combinations
- Variety of textures and finishes
- Customizable finishes of 3 in-stock colors (plus on-demand colors) and 2 texture options
- Mounting is available in E26, track or GU24, allowing for a variety of lighting options
- Suspension is supplied with a 10 ft cable

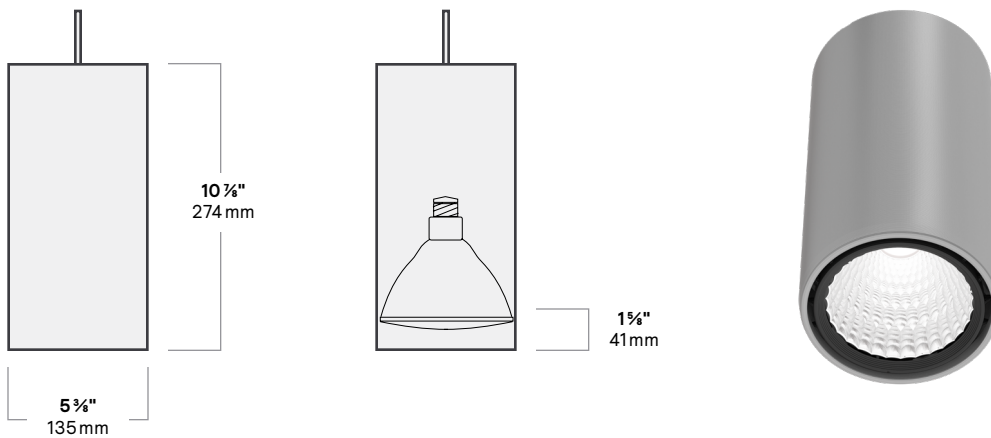
## Colors



## Textures



## Dimensions

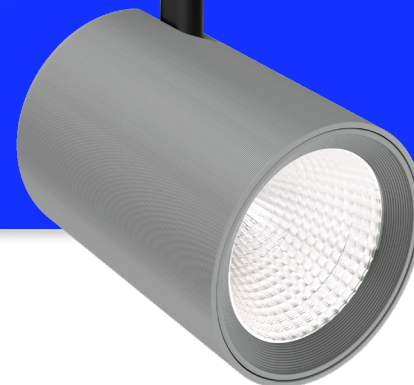


To configure the Lightolier PD Series, scan or visit:  
<https://www.3dconfigurator.mycreation.signify.com/lightolier/TCLCY11>



Powered by **myCreation**

# LumaShine Series



## Decorative track heads

Enhance your space with the sleek and sustainable Lightolier LumaShine Series Track Head. Designed for high-volume retail and hospitality environments, this 3" track head comes standard with CRI 90 and a wide range of customizable options including colors, beam angles, lumens, and temperatures. With the LumaShine Series, you can enjoy both exceptional lighting performance and sustainability in one sophisticated package, making it an ideal choice for businesses looking to make a statement with their lighting solutions.

## Specifications

- Adapters for Lightolier, Juno and Halo
- 3 light levels of 1000lm, 1500lm, and 2300lm
- CCTs of 2700K, 3000K, 3500K, and 4000K
- Up to 128 lm/W
- L90/B50 Lumen Maintenance at 66,000 hours and L70/B50 >110,000 hours
- Spot, Narrow Flood, Flood, and Wide Flood (17°, 22°, 34°, 60°)

## Colors

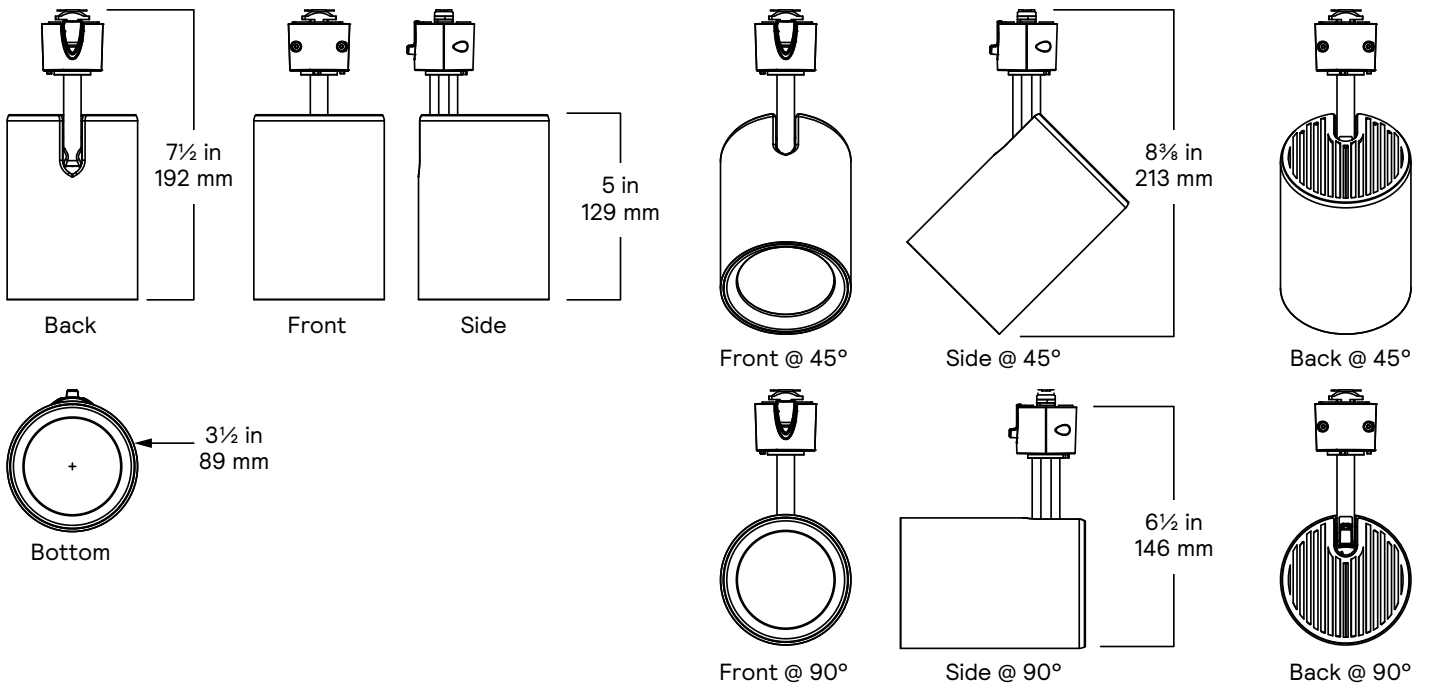
Housing Color  
BKST Black

Housing Color  
GYST Grey

Housing Color  
WHST White



## Dimensions



To configure the Lightolier LumaShine Series, scan or visit:  
<https://www.3dconfigurator.mycreation.signify.com/lightolier/TCLSN11>



Powered by myCreation

# MS Series



## Decorative track heads

Even the most innovative stylists maintain a few key basic pieces, and in lighting, every retailer needs a collection of essential spotlights for track applications. The Lightolier 3D-printed MS Series Track Head provides a wide variety of configuration options, perfectly suited for commercial, retail and hospitality uses.

## Specifications

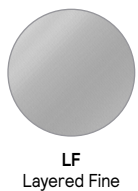
- Adapters for Lightolier, Juno and Halo
- Outer casing of 7 in-stock color options (plus on-demand colors) and 1 texture
- Variety of beams of 4 options from 17° to 60°
- LED lighting modules with flux from 1000, to 1500 and 2300 lms
- Tight hinge design that allows for a clean mounted look

## Colors

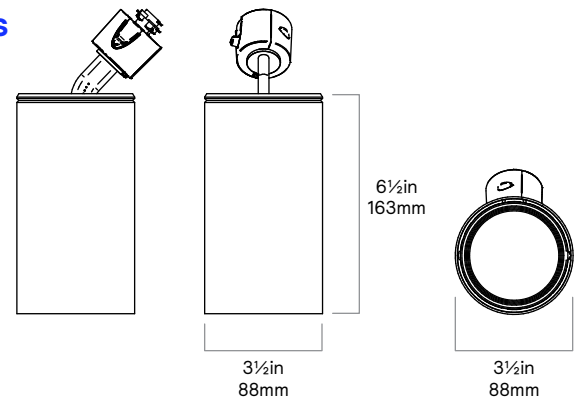


Different colors are available upon request but will require a longer lead time.

## Textures



## Dimensions



To configure the Lightolier MS Series, scan or visit:  
<https://www.3dconfigurator.mycreation.signify.com/lightolier/TCLMS1I>



Powered by myCreation

# IHB Series



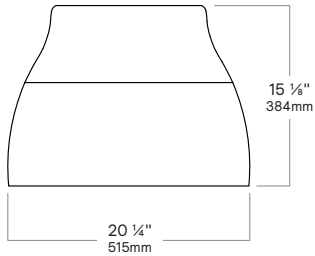
## Decorative high bays

Brighten your environment with the second-generation Lightolier 3D Printed Decorative High Bay, a modern take on industrial design that blends style, efficiency, and flexibility. Its lightweight construction makes installation simple, while a wide range of colors and finishes lets you tailor the look to your space. Produced with recycled and bio-circular materials, this fixture delivers powerful lumen packages perfect for grocery stores, large retailers, auto showrooms, and other high-ceiling settings.

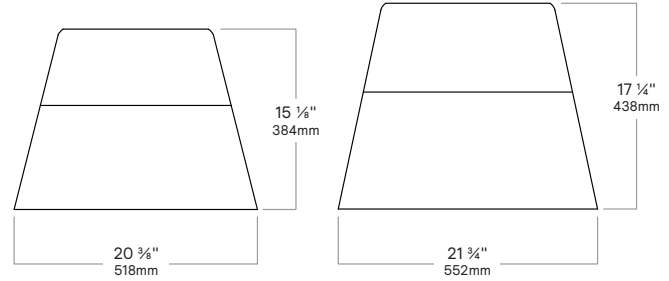
## Specifications

- Integrated light engine with selectable lumen options
- Standard 90 CRI for optional visual appearance
- Unique colors and textures tailored to your project needs
- Multiple styles and sizes

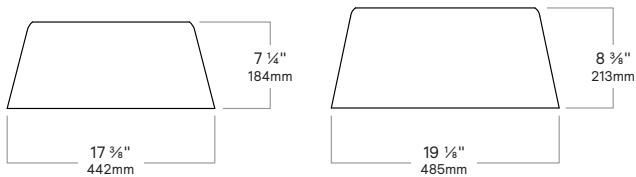
## Bell



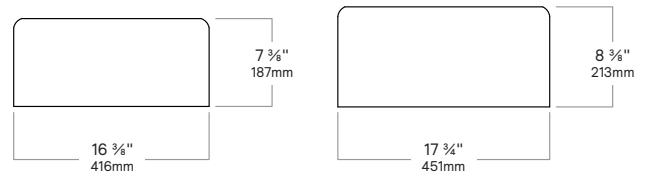
## Conical Tall



## Conical Short



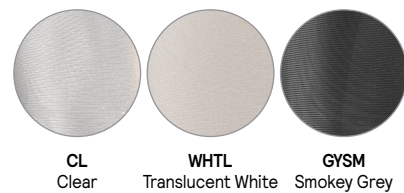
## Cylinder



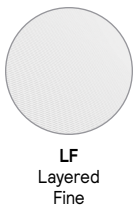
## Upper Shade Colors



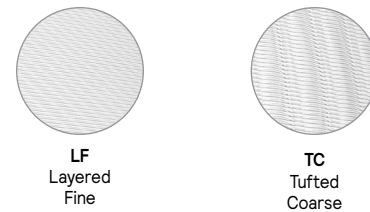
## Lower Shade Colors



## Upper Shade Texture



## Lower Shade Textures



To configure the Lightolier IHB Series, scan or visit:  
<https://www.3dconfigurator.mycreation.signify.com/lightolier/TCLIHBI>



Powered by myCreation

# BAL Series



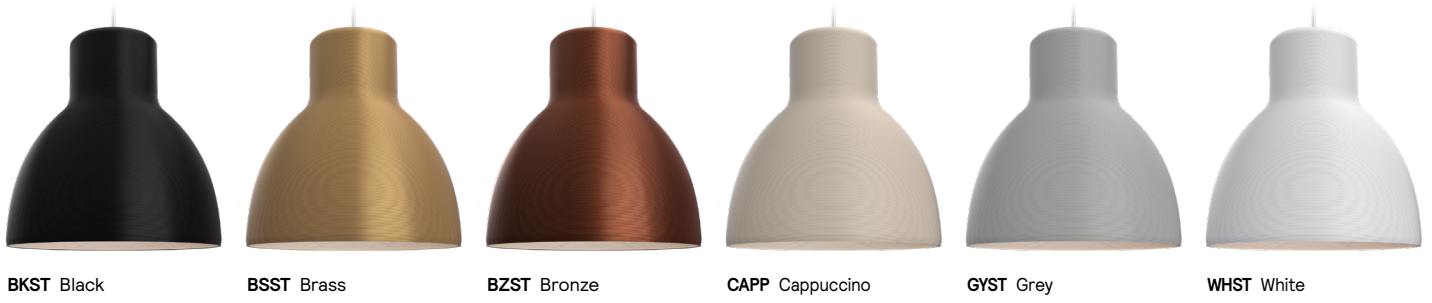
## Decorative low bays

These integrated, decorative fixtures from Lightolier are equipped with powerful LED engines that project the same power as downlighting. No ceilings? No problem. With plenty of light output, and a range of styles, our low bay will light your space evenly. Mix and match from our unique textures and optic combinations to create a signature style for office, retail, and hospitality applications.

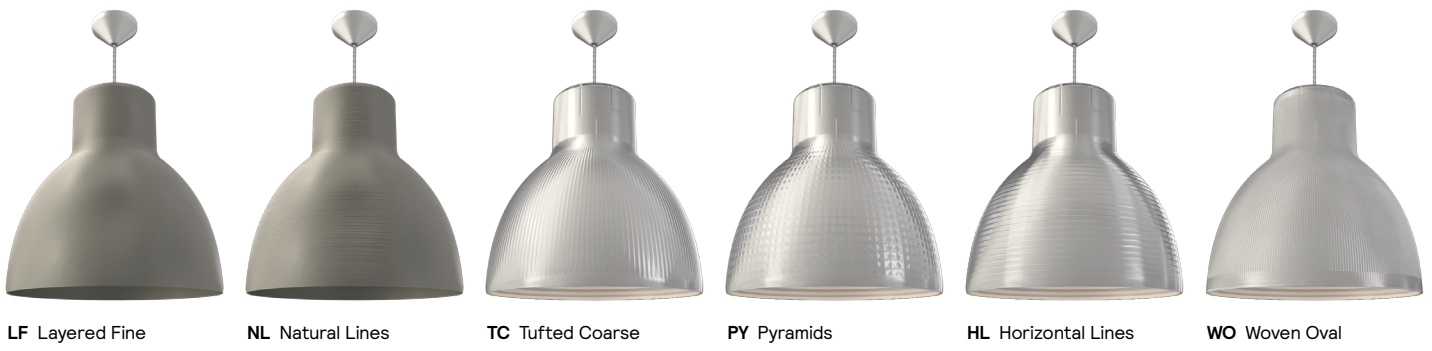
## Specifications

- Over 870,000 unique combinations of optical configurations, and possibilities to customize the reflectors
- Outer casing of 10 in-stock color options (plus on-demand colors), 2 opaque textures or 4 transparent textures to choose, all made from polycarbonate material.
- Customizable inner shades of 6 in-stock colors and 3 textures
- LED lighting modules from 1,000-7,500 lms
- Color Temperatures of 90 CRI at 2700K-4000K CCTs

## Outer Color



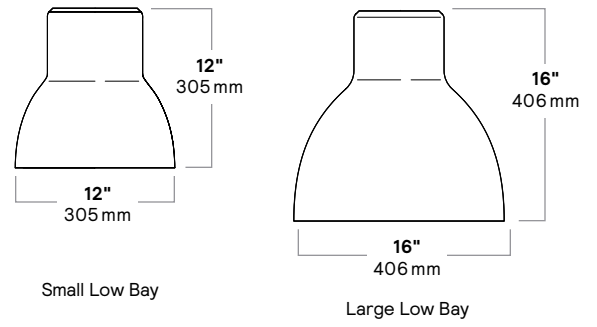
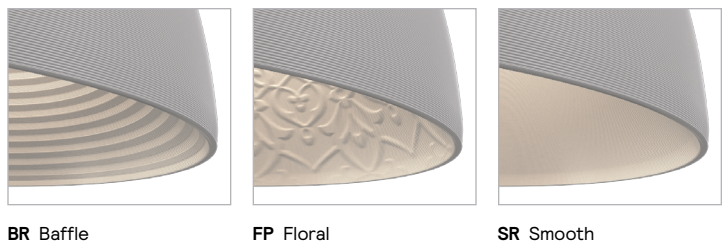
## Outer Texture



## Inner Color



## Inner Texture

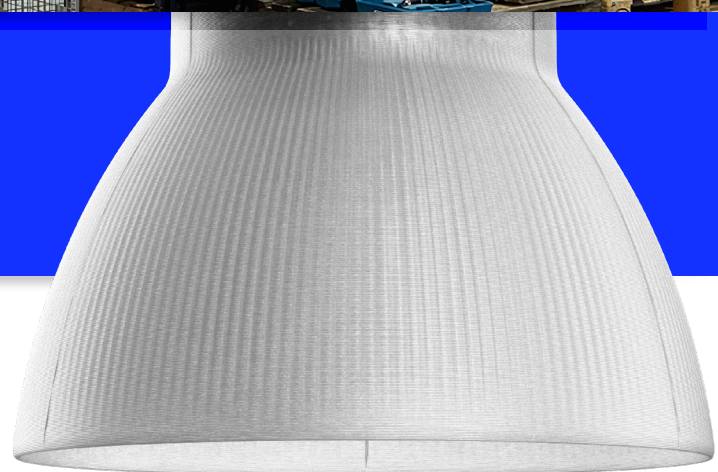


To configure the Lightolier BAL Series, scan or visit:  
<https://www.3dconfigurator.mycreation.signify.com/lightolier/TCLLB11>



Powered by myCreation

# PM Series



## Decorative high bays

Big output, tiny input for your high ceilings and large-scale lighting needs. The Day-Brite/CFI PM Series' lightweight yet durable polycarbonate construction reduces likelihood for damage and helps ease handling during installation.

## Specifications

- A wide variety of optical configurations and possibilities to customize the reflector
- Finial with 3 in-stock color options (plus on-demand colors)
- Shade with 3 in-stock color options (plus on-demand colors) and 1 texture option
- 20,000 or 25,000 lms Philips LED HID replacement lamp options
- Color Temperatures of 80CRI at 4000K to 5000K CCTs

## Colors



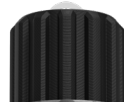
CL Clear



DIFF Diffuse



GYSM Smokey Grey



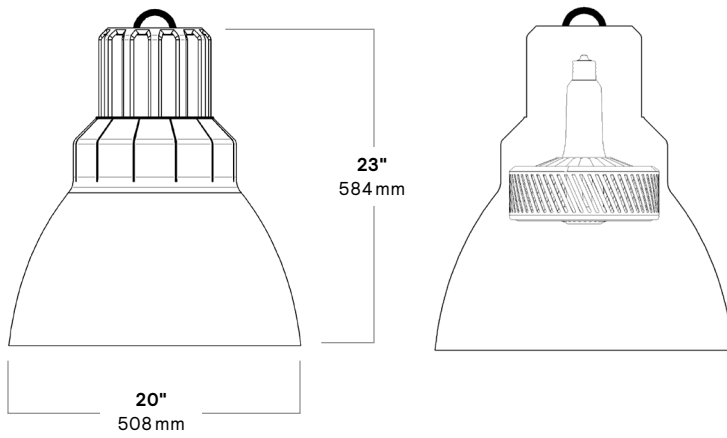
BKST Satin Black



WHST Satin White



GYST Satin Grey

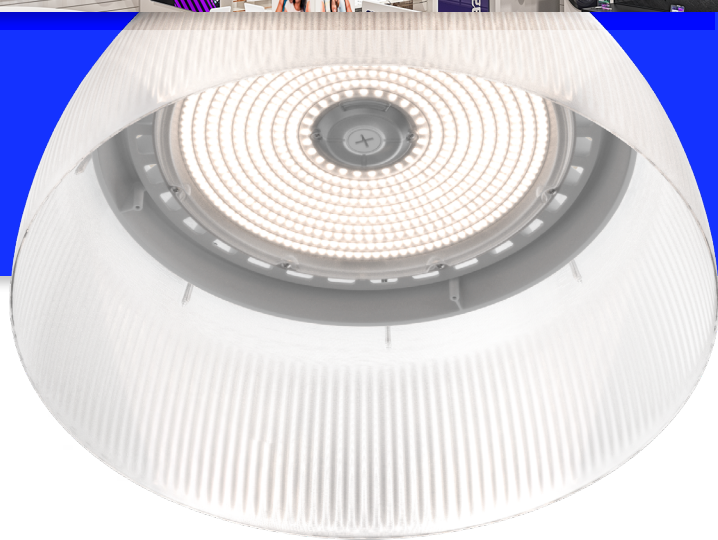


To configure the Day-Brite/CFI PM Series, scan or visit:  
<https://www.3dconfigurator.mycreation.signify.com/daybrite/>



Powered by myCreation

# RHG Series



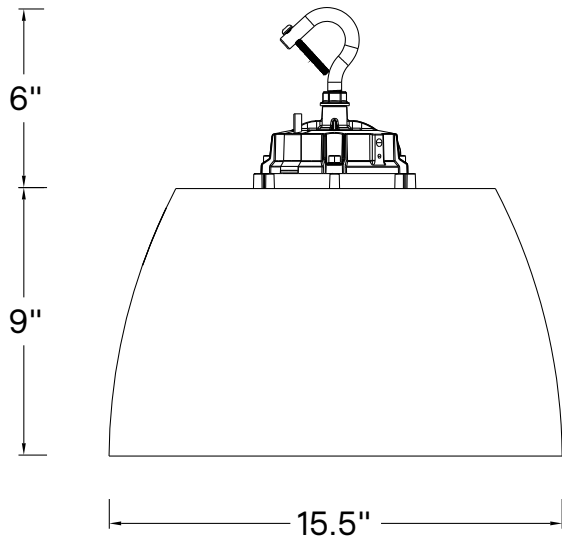
## Industrial high bays

Day-Brite/CFI RHG Series is an economical combination of solid performance and quality construction. This product is ideally suited for use in mid to high ceiling applications including commercial areas, high ceiling common areas, and large format retail.

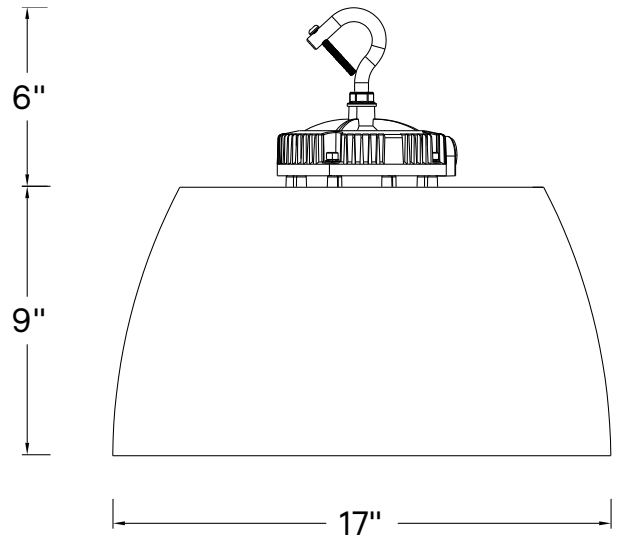
## Specifications

- Two sizes, small (15.5") and large (17")
- Delivers up to 33,000 lumens with precision reflectors and high-output LEDs
- High efficacy with 176 LPW for maximum energy savings
- Field CCT selectable for 3000K, 3500K, or 4000K at 80CRI
- Field selectable lumens with a wide lumen range
- 3D printed clear tufted reflector provides aesthetic appeal and superior glare control

## Small



## Large



---

## Custom Options



**Conical**



**Umbrella**



**Orbit**



**Zenith**



**Halo**

**Note:** These are examples of different custom options. Consult your sales representative for these or other custom solutions.



Powered by **myCreation**

# Vetro



## Decorative accent

Discover the Vetro Downlight Trim, a blend of cutting-edge technology and sophisticated design. Featuring UV-resistant, 3D-printed materials, this accessory is compatible with the LyteProfile and Calculite 4" and 6" Lightolier commercial downlights. It is an ideal final touch for office, hospitality, retail, and healthcare applications.

## Specifications

- Aperture size options are available in 4" and 6"
- Shade is made from at least 75% ISCC Plus certified bio-circular materials
- Rim color options are Satin Black, Satin White, Satin Bronze, Satin Rose, and Satin Sage
- Outer shade color options are Smokey Grey and Translucent White
- Inner shade color options are Diffuse and Translucent White
- Texture of luminaire is Layered Fine



# Unleash your inner creator with our online configurators



[Click](#) or scan below to visit the myCreation technology page and click the "Explore products" button.



Select "Learn More" under your product series of choice to navigate to the product page or e-catalog page.



Select the "Configuration" button or link to navigate to the configurator page.



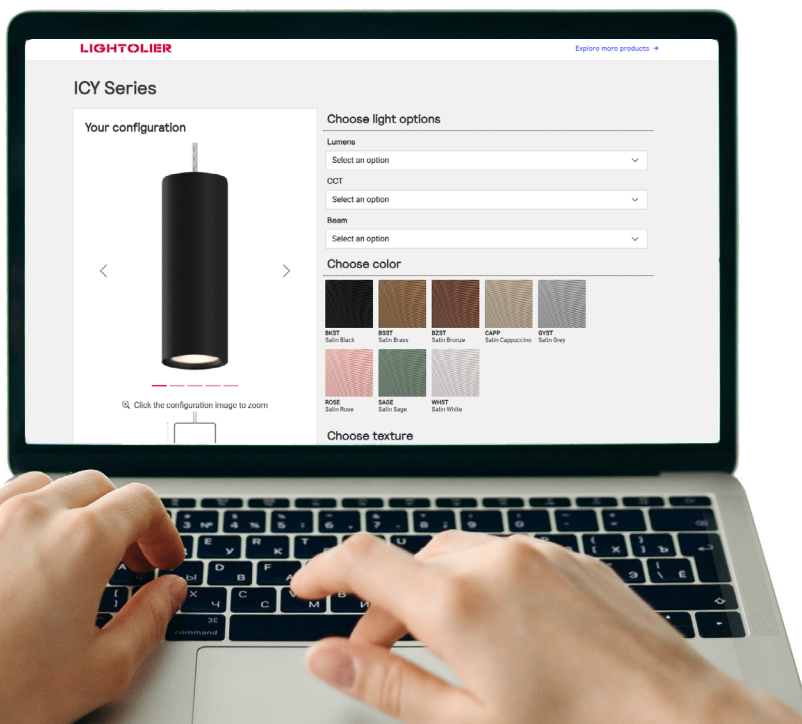
Customize a luminaire with desired choices for shape, color, texture and more.



Click the "Create PDF" button to generate your configured spec sheet and save/print for ordering.



Contact your Signify sales representative for pricing and to place an order.



Scan to visit the myCreation technology page on [Genlyte.com](https://www.genlyte.com)

# Cohesion at its finest

To help you in the design process, we've already created several series of luminaires in various shapes, materials, colors and textures.



**RD Series**  
Pendants Umbrella



**BAL Series**  
Low Bay (large)



**Single Series**  
Pendants Quarter Round (large)



**MS Series**  
Track Head

Many come in matching colors, allowing for endless possibilities for cohesive designs throughout your spaces.

Metallic Green  
GN410 & GNMT

# Aesthetic Options

## Essentials

Satin Black

Satin Dark Grey\*

Satin Grey

Satin White

Satin Cream White\*

Satin Cappuccino

Satin Stone Brown\*



## Signature

Satin Burgundy\*

Satin Rose

Satin Citrona\*

Satin Enamel Green\*

Satin Sage

Satin Matcha\*

Satin Steel Blue\*

Satin Misty Blue\*



## Metallics

Metallic Silver\*

Metallic Pink\*

Metallic Brass

Metallic Green\*

Metallic Blue\*

Metallic Purple\*

Metallic Bronze



## Translucent

Translucent White

Translucent Diffuse

Translucent Clear

Translucent Smokey Grey



Want to have our color and texture options at your fingertips? Order your own binder sample kit, including 26 color chips and 16 texture chips. To learn more, scan the QR code or visit the [myCreation technology page](#).

© 2026 Signify Holding. All rights reserved. The information provided herein is subject to change, without notice. Signify does not give any representation or warranty as to the accuracy or completeness of the information included herein and shall not be liable for any action in reliance thereon. The information presented in this document is not intended as any commercial offer and does not form part of any quotation or contract, unless otherwise agreed by Signify.

**GENLYTE  
SOLUTIONS**  
a gnify business

Signify North America Corp.  
400 Crossing Blvd, Suite 600  
Bridgewater, NJ 08807  
Telephone: 800-555-0050

Signify Canada Ltd.  
281 Hillmount Road,  
Markham, ON, Canada L6C 2S3  
Telephone: 800-668-9008

All trademarks are owned by Signify Holding or their respective owners.