



LumeC OmniScope LED arm mount is the latest latest solution for high-performance lighting in any urban setting. With contemporary, transitional and historical style options, as well as single and dual arm configurations, this luminaire is versatile and adaptable to any environment. It features a precision and comfort light engine, which provides exceptional efficacy and glare control, ensuring comfortable and efficient illumination.

Project: _____
 Location: _____
 Cat.No: _____
 Type: _____
 Qty: _____
 Notes: _____

Ordering guide

example: S-OSAC-80W40LED-730-G1-2F-UNV-DMG-TLRD7-PH8S-BKTX

Series	LED module	CRI CCT	Gen. G1	Optical System	Voltage	Driver			
S-OSAC OmniScope LED arm mount luminaire with Contemporary Roof	15W40LED ^{1,2} 2,000 lumen	722 ¹¹ 70CRI, 2200K	G1 Gen1	Without Flat Lens 2 Type II (ASYM) 2B Type II (ASYM) enhanced backlight 3 Type III (ASYM) 3W Type III (ASYM) Wide 4 Type IV (ASYM) 5 Type (SYMM)	UNV 120-277V HVV 347-480V HVX 277-480V	ZD4i ⁸ Zhaga-D4i certified fixture D4id D4i certified DALI driver DMG ^{12,0} -10V			
	20W40LED ^{1,2} 3,000 lumen	727 ¹¹ 70CRI, 2700K							
	30W40LED ² 4,000 lumen	730 70CRI, 3000K							
35W40LED ² 5,000 lumen	740 70CRI, 4000K								
S-OSAT OmniScope LED arm mount luminaire with Transitional Roof	45W40LED ³ 6,000 lumen	827 ¹¹ 80CRI, 2700K							
	65W40LED ³ 8,000 lumen	830 80CRI, 3000K							
S-OSAH OmniScope LED arm mount luminaire with Historical Roof	80W40LED 10,000 lumen	840 80CRI, 4000K					With Flat Lens 2F Type II (ASYM) 2BF Type II (ASYM) 3F Type III (ASYM) 3WF Type III (ASYM) Wide 4F Type IV (ASYM) 5F Type V (SYMM)		
	90W40LED 11,000 lumen								
	105W40LED 13,000 lumen								
	120W40LED ⁴ 14,000 lumen								
	140W40LED ^{4,5,6} 16,000 lumen								

Options				Arm mounting (shipped separately)			Finish	
Receptacle	Control	Luminaire	Deco.	Bracket	Arm	Interface		
TLRD7 ⁹ 7-Pin receptacle for photoelectric cell	Photoelectric Cell (add "S" for S-OSAC) ⁷ PH8 (PH8S) Twist-lock UNV (120-277VAC) PH8/347 (PH8/347S) Twist-lock (347VAC) PH8/480 (PH8/480S) Twist-lock (480VAC) PH9 (PH9S) Shorting Cap PHXL (PHXLS) Extended life UNV (120-277VAC)	BAC¹⁴ Meets the requirements of the Buy American Act of 1933 (BAA) BABAF¹⁴ Meets the requirements of the Build America Buy America Act for projects funded through FHWA that are obligated before October 1, 2026, and meets the Buy America preferences for FTA FAWS^{11,5} Field adj. wattage selector HS¹⁹ House Side Shield SP2 20kV /10kA Surge Protector TN3 Fitter to fit over a 3" (76 mm) O.D. by 4" (102 mm) long tenon TN3.5 Fitter to fit over a 3 1/2" (89 mm) O.D. by 4" (102 mm) long tenon	Deco. Final¹⁶ FN1 FN2 FN3 FN4 FN5 FN6 FN7 FN8 FN9 FN10 FN11	For contemporary bracket (OSC)			Textured Finishes	
				OSC OmniScope contemporary	1A Single arm 2 Dual arm	For 4" (102mm) round poles R4B For 0.156" (4mm) wall thickness R4D For 0.120" (3mm) wall thickness R4F For 0.125" (3mm) wall thickness R4N For 0.188" (5mm) wall thickness R4U For 0.226" (7mm) wall thickness R4V For 0.250" (6mm) wall thickness R4W For 0.318" (8mm) wall thickness	BE2TX Midnight Blue BE6TX Ocean Blue BE8TX Royal Blue BG2TX Sandstone Gold BKTX Black BRTX Bronze GN4TX Blue Green	GN6TX Forest Green GN8TX Dark Forest Green GNTX Green GY3TX Medium Grey RD2TX Burgundy RD4TX Scarlet WHTX White
				For transitional bracket (OST)			Others	
				OST OmniScope transitional	1A Single arm 2 Dual arm	For 4" (102mm) round poles R4 Standard	GR Gray Sandtex NP Natural Alum TG Hammer-tone Gold TS Hammer-tone Silver	

- Only available with DMG Driver options.
- Only available with UNV Voltage option.
- Not available with D4i/DALI/SR Driver combined with HVX Voltage option.
- D4i/DALI/SR Drivers only available with UNV Voltage option.
- Not available with HS Luminaire option.
- Not available with S-OSAT or S-OSAH Roof combined with Optical system with lens.
- TLRD7 must be selected for this option. If used, photoelectric cell selection must be compatible with selected Voltage option. When selecting S-OSAC roof, IP66 photoelectric cell or shorting cap must be used to preserve IP66 rating of luminaire.
- TLRSR must be selected this option.
- Use of photoelectric cell or shorting cap is required to ensure proper illumination.
- Not available with DALI/DMG Driver options.
- Longer lead time applies. Consult factory.
- Not available in HVX Voltage option.
- Only available with Optical system without lens.

Recommended maximum mounting height 20ft (6m).

- Failure to properly select the "BAC" suffix could result in you receiving product that is not BAA compliant product with no recourse for an RMA or refund. This BAC designation hereunder does not address (i) the applicability of, or availability of a waiver under, the Trade Agreements Act, or (ii) the "Buy America" domestic content requirements imposed on states, localities, and other non-federal entities as a condition of receiving funds administered by the Department of Transportation or other federal agencies. Genlyte's products with a BAC option code designation are manufactured in the US and utilize a BAA COTS exemption rule for compliance. "BABAF" designates the product will meet the standards set by FHWA for BABA and FTA for Buy America. As noted, for FHWA BABA compliance, applicable projects must be funded by October 1, 2026.
- Finals (FNx) Decorative options are not available with S-OSAC Roof.



S-OSA OmniScape

LED Urban Arm Mount with LEDgine technology

Predicted Lumen Depreciation Data

Derived from LED manufacturer's data and engineering design estimates, based on IESNA LM-80 methodology. Actual experience may vary due to field application conditions. L70 is the predicted time when LED performance depreciates to 70% of initial lumen output. Calculated per IESNA TM21-21.

Ambient Temperature	Driver mA	Calculated L70 hours	L70 per TM-21	Lumen Maintenance % @ 60,000 hrs
25°C	800 mA	181,000	>84,000 hrs	95.56%



Field Adjustable Wattage (FAWS) Multiplier Chart

15W40LED to 45W40LED

FAWS Position	Typical Delivered Lumens Multiplier	Typical System wattage
1	0.229	0.221
2	0.398	0.394
3	0.467	0.464
4	0.528	0.528
5	0.598	0.597
6	0.643	0.643
7	0.695	0.697
8	0.729	0.731
9	0.766	0.769
10	1.000	1.000

Note: Typical value accuracy +/- 5%

65W40LED to 120W40LED

FAWS Position	Typical Delivered Lumens Multiplier	Typical System wattage
1	0.273	0.286
2	0.487	0.515
3	0.574	0.605
4	0.695	0.725
5	0.741	0.771
6	0.812	0.803
7	0.878	0.834
8	0.924	0.933
9	0.980	0.982
10	1.000	1.000

Note: Typical value accuracy +/- 5%

140W40LED

FAWS Position	Typical Delivered Lumens Multiplier	Typical System wattage
1	0.140	0.150
2	0.270	0.288
3	0.337	0.359
4	0.440	0.465
5	0.497	0.522
6	0.561	0.586
7	0.617	0.642
8	0.676	0.698
9	0.723	0.743
10	1.000	1.000

Note: Typical value accuracy +/- 5%

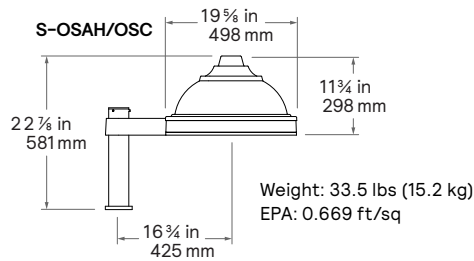
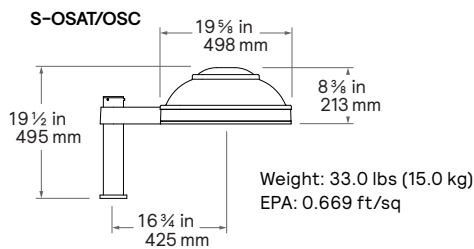
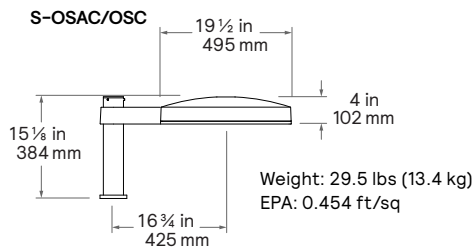
S-OSA OmniScape

LED Urban Arm Mount with LEDgine technology

Contemporary Arm



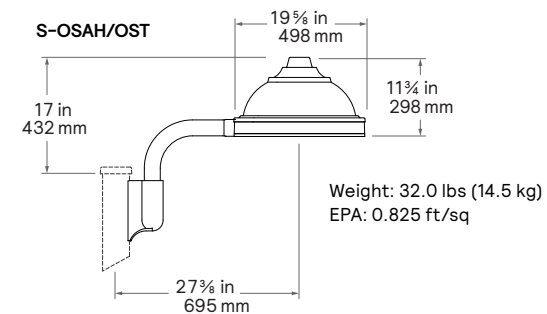
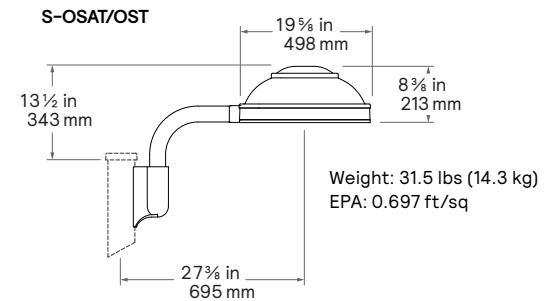
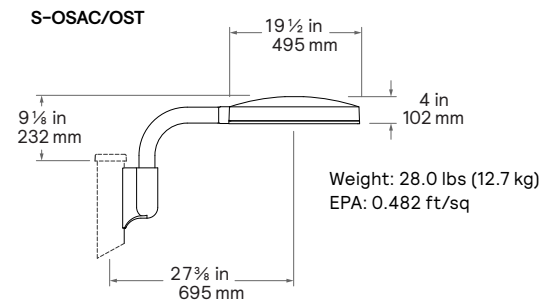
Dimensions for Contemporary arm



Transitional Arm



Dimensions for Transitional arm



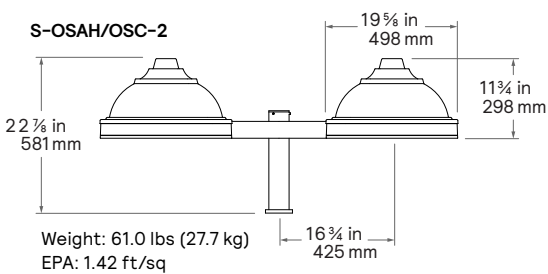
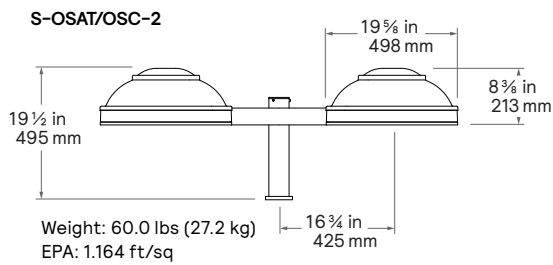
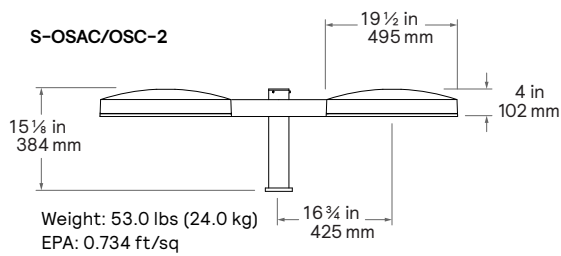
S-OSA OmniScape

LED Urban Arm Mount with LEDgine technology

Contemporary Arm



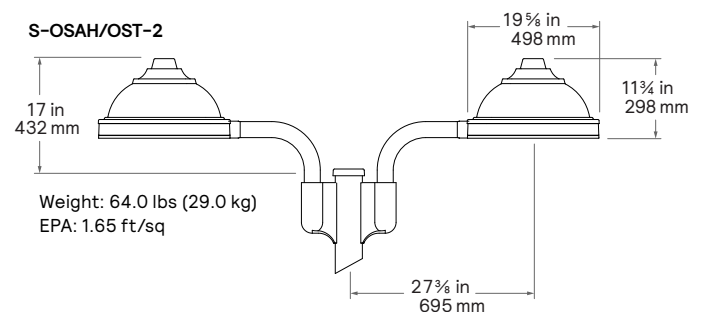
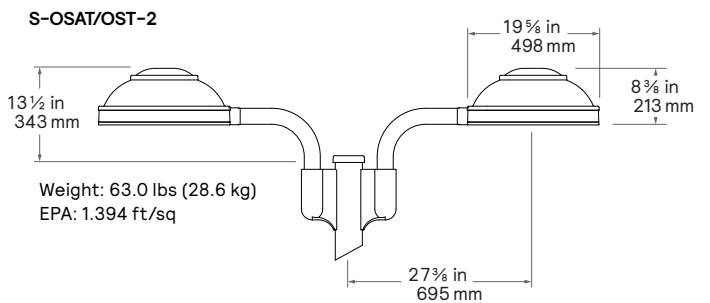
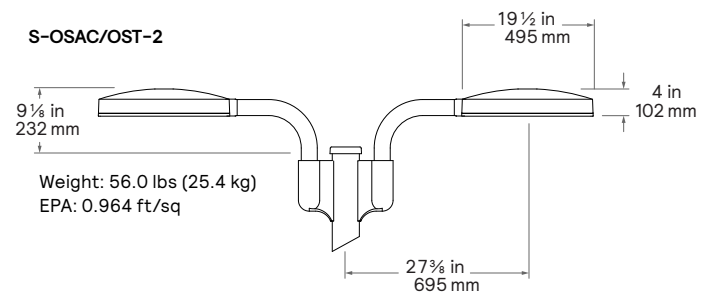
Dimensions for Contemporary arm



Transitional Arm



Dimensions for Transitional arm



S-OSA OmniScape

LED Urban Arm Mount with LEDgine technology

Without Flat Lens: 40 LED qty, Standard Performance Lumen Values

Ordering Code	System Current (mA)	Avg. System Watts (W)	Type 2			Type 2B			Type 3			Type 3W			Type 4			Type 5		
			Lumen Output	BUG Rating	Effic. (LPW)	Lumen Output	BUG Rating	Effic. (LPW)	Lumen Output	BUG Rating	Effic. (LPW)	Lumen Output	BUG Rating	Effic. (LPW)	Lumen Output	BUG Rating	Effic. (LPW)	Lumen Output	BUG Rating	Effic. (LPW)
2700K / 70CRI, multiply 4000K values by 0.769 for 2200K																				
15W40LED-727-G1	240	14.3	2396	B1-U0-G1	1671	2505	B1-U0-G1	174.7	2464	B1-U0-G1	171.9	2417	B1-U0-G1	168.6	2411	B1-U0-G1	168.1	2336	B2-U0-G1	162.9
20W40LED-727-G1	320	19.1	3183	B1-U0-G1	166.4	3327	B1-U0-G1	173.9	3273	B1-U0-G1	171.1	3211	B1-U0-G1	167.8	3202	B1-U0-G1	167.4	3103	B2-U0-G1	162.2
30W40LED-727-G1	440	26.8	4304	B1-U0-G1	160.8	4498	B1-U0-G1	168.1	4426	B1-U0-G1	165.4	4341	B1-U0-G1	162.2	4329	B1-U0-G1	161.8	4195	B3-U0-G2	156.8
35W40LED-727-G1	560	34.1	5437	B2-U0-G2	159.4	5682	B1-U0-G1	166.6	5591	B1-U0-G1	163.9	5484	B1-U0-G1	160.8	5470	B1-U0-G2	160.4	5300	B3-U0-G2	155.4
45W40LED-727-G1	712	43.7	6850	B2-U0-G2	156.9	7159	B2-U0-G2	164.0	7044	B2-U0-G2	161.3	6909	B2-U0-G2	158.2	6891	B1-U0-G2	157.8	6678	B3-U0-G2	152.9
65W40LED-727-G1	980	63.2	9235	B2-U0-G2	146.1	9652	B2-U0-G2	152.7	9497	B2-U0-G2	150.3	9315	B2-U0-G2	147.4	9290	B1-U0-G2	147.0	9003	B3-U0-G3	142.4
80W40LED-727-G1	1230	79.0	11330	B3-U0-G3	143.4	11841	B3-U0-G3	149.9	11652	B2-U0-G2	147.5	11428	B2-U0-G2	144.7	11398	B2-U0-G2	144.3	11045	B4-U0-G3	139.8
90W40LED-727-G1	1380	89.0	12721	B3-U0-G3	142.9	13295	B3-U0-G3	149.4	13082	B3-U0-G2	147.0	12831	B3-U0-G3	144.2	12798	B2-U0-G2	143.8	12401	B4-U0-G3	139.3
105W40LED-727-G1	1588	103.0	14342	B3-U0-G3	139.2	14989	B3-U0-G3	145.5	14749	B3-U0-G3	143.2	14466	B3-U0-G3	140.4	14428	B2-U0-G2	140.1	13982	B4-U0-G3	135.7
120W40LED-727-G1	1800	118.0	15969	B3-U0-G3	135.3	16690	B3-U0-G3	141.4	16422	B3-U0-G3	139.2	16107	B3-U0-G3	136.5	16065	B2-U0-G3	136.1	15568	B4-U0-G3	131.9
140W40LED-727-G1	2100	136.0	18256	B3-U0-G3	134.2	19079	B3-U0-G3	140.3	18773	B3-U0-G3	138.0	18413	B3-U0-G3	135.4	18365	B2-U0-G3	135.0	17797	B4-U0-G3	130.9
3000K / 70CRI																				
15W40LED-730-G1	240	14.3	2614	B1-U0-G1	182.3	2732	B1-U0-G1	190.5	2688	B1-U0-G1	187.5	2637	B1-U0-G1	183.9	2630	B1-U0-G1	183.4	2549	B2-U0-G1	177.7
20W40LED-730-G1	320	19.1	3473	B1-U0-G1	181.5	3629	B1-U0-G1	189.7	3571	B1-U0-G1	186.7	3503	B1-U0-G1	183.1	3493	B1-U0-G1	182.6	3385	B2-U0-G1	177.0
30W40LED-730-G1	440	26.8	4695	B1-U0-G1	175.4	4907	B1-U0-G1	183.4	4828	B1-U0-G1	180.4	4735	B1-U0-G1	177.0	4723	B1-U0-G1	176.5	4577	B3-U0-G2	171.0
35W40LED-730-G1	560	34.1	5931	B2-U0-G2	173.9	6199	B2-U0-G2	181.7	6100	B2-U0-G1	178.8	5983	B1-U0-G1	175.4	5967	B1-U0-G2	174.9	5782	B3-U0-G2	169.5
45W40LED-730-G1	712	43.7	7473	B2-U0-G2	171.2	7810	B2-U0-G2	178.9	7685	B2-U0-G2	176.0	7537	B2-U0-G2	172.6	7518	B1-U0-G2	172.2	7285	B3-U0-G2	166.9
65W40LED-730-G1	980	63.2	10075	B3-U0-G3	159.4	10529	B2-U0-G2	166.6	10360	B2-U0-G2	163.9	10161	B2-U0-G2	160.8	10135	B1-U0-G2	160.4	9821	B4-U0-G3	155.4
80W40LED-730-G1	1230	79.0	12360	B3-U0-G3	156.5	12918	B3-U0-G3	163.5	12711	B3-U0-G2	160.9	12467	B3-U0-G3	157.8	12435	B2-U0-G2	157.4	12050	B4-U0-G3	152.5
90W40LED-730-G1	1380	89.0	13878	B3-U0-G3	155.9	14504	B3-U0-G3	163.0	14271	B3-U0-G3	160.3	13997	B3-U0-G3	157.3	13961	B2-U0-G2	156.9	13529	B4-U0-G3	152.0
105W40LED-730-G1	1588	103.0	15646	B3-U0-G3	151.9	16352	B3-U0-G3	158.8	16090	B3-U0-G3	156.2	15781	B3-U0-G3	153.2	15740	B2-U0-G3	152.8	15253	B4-U0-G3	148.1
120W40LED-730-G1	1800	118.0	17421	B3-U0-G3	147.6	18207	B3-U0-G3	154.3	17915	B3-U0-G3	151.8	17571	B3-U0-G3	148.9	17526	B2-U0-G3	148.5	16983	B4-U0-G3	143.9
140W40LED-730-G1	2100	136.0	19915	B3-U0-G3	146.4	20814	B3-U0-G3	153.0	20480	B3-U0-G3	150.6	20087	B3-U0-G3	147.7	20035	B2-U0-G3	147.3	19415	B5-U0-G4	142.8
4000K / 70CRI																				
15W40LED-740-G1	240	14.3	2723	B1-U0-G1	189.9	2846	B1-U0-G1	198.5	2800	B1-U0-G1	195.3	2747	B1-U0-G1	191.5	2740	B1-U0-G1	191.0	2655	B2-U0-G1	185.1
20W40LED-740-G1	320	19.1	3617	B1-U0-G1	189.1	3780	B1-U0-G1	197.6	3720	B1-U0-G1	194.4	3648	B1-U0-G1	190.7	3639	B1-U0-G1	190.2	3526	B2-U0-G1	184.3
30W40LED-740-G1	440	26.8	4890	B2-U0-G2	182.7	5111	B1-U0-G1	191.0	5029	B1-U0-G1	187.9	4933	B1-U0-G1	184.3	4920	B1-U0-G1	183.8	4767	B3-U0-G2	178.2
35W40LED-740-G1	560	34.1	6179	B2-U0-G2	181.1	6457	B2-U0-G2	189.3	6354	B2-U0-G1	186.3	6232	B2-U0-G2	182.7	6216	B1-U0-G2	182.2	6023	B3-U0-G2	176.6
45W40LED-740-G1	712	43.7	7784	B2-U0-G2	178.3	8135	B2-U0-G2	186.3	8005	B2-U0-G2	183.3	7851	B2-U0-G2	179.8	7831	B1-U0-G2	179.4	7588	B3-U0-G2	173.8
65W40LED-740-G1	980	63.2	10494	B3-U0-G3	166.0	10968	B2-U0-G2	173.5	10792	B2-U0-G2	170.8	10585	B2-U0-G2	167.5	10557	B2-U0-G2	167.0	10230	B4-U0-G3	161.9
80W40LED-740-G1	1230	79.0	12875	B3-U0-G3	163.0	13456	B3-U0-G3	170.3	13240	B3-U0-G2	167.6	12987	B3-U0-G3	164.4	12953	B2-U0-G2	164.0	12552	B4-U0-G3	158.9
90W40LED-740-G1	1380	89.0	14456	B3-U0-G3	162.4	15108	B3-U0-G3	169.8	14866	B3-U0-G3	167.0	14581	B3-U0-G3	163.8	14543	B2-U0-G2	163.4	14092	B4-U0-G3	158.3
105W40LED-740-G1	1588	103.0	16298	B3-U0-G3	158.2	17033	B3-U0-G3	165.4	16760	B3-U0-G3	162.7	16439	B3-U0-G3	159.6	16396	B2-U0-G3	159.2	15888	B4-U0-G3	154.3
120W40LED-740-G1	1800	118.0	18147	B3-U0-G3	153.8	18966	B3-U0-G3	160.7	18661	B3-U0-G3	158.1	18304	B3-U0-G3	155.1	18256	B2-U0-G3	154.7	17691	B4-U0-G3	149.9
140W40LED-740-G1	2100	136.0	20745	B3-U0-G3	152.5	21681	B3-U0-G3	159.4	21333	B3-U0-G3	156.9	20924	B3-U0-G3	153.9	20870	B3-U0-G3	153.5	20224	B5-U0-G4	148.7
2700K / 80CRI																				
15W40LED-827-G1	240	14.3	2244	B1-U0-G1	156.5	2345	B1-U0-G1	163.5	2308	B1-U0-G1	160.9	2263	B1-U0-G1	157.8	2257	B1-U0-G1	157.4	2188	B2-U0-G1	152.5
20W40LED-827-G1	320	19.1	2981	B1-U0-G1	155.8	3115	B1-U0-G1	162.8	3065	B1-U0-G1	160.2	3006	B1-U0-G1	157.2	2999	B1-U0-G1	156.7	2906	B2-U0-G1	151.9
30W40LED-827-G1	440	26.8	4030	B1-U0-G1	150.6	4211	B1-U0-G1	157.4	4144	B1-U0-G1	154.9	4064	B1-U0-G1	151.9	4054	B1-U0-G1	151.5	3928	B3-U0-G2	146.8
35W40LED-827-G1	560	34.1	5091	B2-U0-G2	149.3	5321	B1-U0-G1	156.0	5236	B1-U0-G1	153.5	5135	B1-U0-G1	150.5	5122	B1-U0-G1	150.2	4963	B3-U0-G2	145.5
45W40LED-827-G1	712	43.7	6414	B2-U0-G2	146.9	6704	B2-U0-G2	153.5	6596	B2-U0-G1	151.1	6469	B2-U0-G2	148.2	6453	B1-U0-G2	147.8	6253	B3-U0-G2	143.2
65W40LED-827-G1	980	63.2	8647	B2-U0-G2	136.8	9037	B2-U0-G2	143.0	8892	B2-U0-G2	140.7	8722	B2-U0-G2	138.0	8699	B1-U0-G2	137.6	8430	B3-U0-G3	133.4
80W40LED-827-G1	1230	79.0	10609	B3-U0-G3	134.3	11088	B2-U0-G2	140.4	10910	B2-U0-G2	138.1	10701	B2-U0-G2	135.5	10673	B2-U0-G2	135.1	10343	B4-U0-G3	130.9
90W40LED-827-G1	1380	89.0	11912	B3-U0-G3	133.8	12449	B3-U0-G3	139.9	12249	B3-U0-G2	137.6	12014	B2-U0-G2	135.0	11983	B2-U0-G2	134.6	11612	B4-U0-G3	130.5
105W40LED-827-G1	1588	103.0	13430	B3-U0-G3	130.4	14036	B3-U0-G3	136.3	13810	B3-U0-G2	134.1	13546	B3-U0-G3	131.5	13510	B2-U0-G2	131.2	13092	B4-U0-G3	127.1
120W40LED-827-G1	1800	118.0	14953	B3-U0-G3	126.7	15628	B3-U0-G3	132.4	15377	B3-U0-G3	130.3	15082	B3-U0-G3	127.8	15043	B2-U0-G3	127.5	14577	B4-U0-G3	123.5
140W40LED-827-G1	2100	136.0	17094	B3-U0-G3	125.7	17865	B3-U0-G3	131.4	17579	B3-U0-G3	129.3	17242	B3-U0-G3	126.8	17197	B2-U0-G3	126.4	16664	B4-U0-G3	122.5
3000K / 80CRI																				
15W40LED-830-G1	240	14.3	2353	B1-U0-G1	164.1	2459	B1-U0-G1	171.5	2420	B1-U0-G1	168.7	2373	B1-U0-G1	165.5	2367	B1-U0-G1	165.1	2294	B2-U0-G1	160.0
20W40LED-830-G1	320	19.1	3125	B1-U0-G1	163.4	3266	B1-U0-G1	170.7	3214	B1-U0-G1	168.0	3152	B1-U0-G1	164.8	3144	B1-U0-G1	164.4	3047	B2-U0-G1	159.3
30W40LED-830-G1	440	26.8	4225	B1-U0-G1	157.9	4416	B1-U0-G1	165.0	4345	B1-U0-G1	162.4	4262	B1-U0-G1	159.3	4251	B1-U0-G1	158.8	4119	B3-U0-G2	153.9
35W40LED-830-G1	560	34.1	5338	B2-U0-G2	156.5	5579	B1-U0-G1	163.6	5490	B1-U0-G1	160.9	5384	B1-U0-G1	157.9	5370	B1-U0-G2	157.4	5204	B3-U0-G2	152.6
45W40LED-830-G1	712	43.7	6725	B2-U0-G2	154.0	7029	B2-U0-G2	161.0	6916	B2-U0-G1	158.4	6784	B2-U0-G2	155.4	6766	B1-U0-G2	155.0	6556	B3-U0-G2	150.2
65W40LED-830-G1	980	63.2	9067	B2-U0-G2	143.5	9476	B2-U0-G2	149.9	9324	B2-U0-G2	147.5	9145	B2-U0-G2	144.7	9122	B1-U0-G2	144.3	8839	B3-U0-G3	139.9
80W40LED-830-G1	1230	79.0	11124	B3-U0-G3	140.8	11626	B3-U0-G3	147.2	11440	B2-U0-G2	144.8	11220	B2-U0-G2	142.0	11191	B2-U0-G2	141.7	10845	B4-U0-G3	137.3
90W40LED-830-G1	1380	89.0	12490	B3-U0-G3	140.3	13053	B3-U0-G3	146.7	12844	B3-U0-G2	144.3	12598	B3-U0-G3	141.5	12565	B2-U0-G2	141.2	12176	B4-U0-G3	136.8
105W40LED-830-G1	1588	103.0	14082	B3-U0-G3	136.7	14717	B3-U0-G3	142.9	14481	B3-U0-G3	140.6	14203	B3-U0-G3	137.9	14166	B2-U0-G2	137.5	13727	B4-U0-G3	133.3
120W40LED-830-G1	1800	118.0	15679	B3-U0-G3	132.9	16386	B3-U0-G3	138.9	16123	B3-U0-G3	136.6	15								

S-OSA OmniScape

LED Urban Arm Mount with LEDgine technology

With Flat Lens: 40 LED qty, Standard Performance Lumen Values

Ordering Code	System Current (mA)	Avg. System Watts (W)	Type 2F			Type 2BF			Type 3F			Type 3WF			Type 4F			Type 5F		
			Lumen Output	BUG Rating	Effic. (LPW)	Lumen Output	BUG Rating	Effic. (LPW)	Lumen Output	BUG Rating	Effic. (LPW)	Lumen Output	BUG Rating	Effic. (LPW)	Lumen Output	BUG Rating	Effic. (LPW)	Lumen Output	BUG Rating	Effic. (LPW)
2700K / 70CRI, multiply 4000K values by 0.769 for 2200K																				
15W40LED-727-G1	240	14.3	2110	B1-U0-G1	147.1	2246	B1-U0-G1	156.6	2206	B1-U0-G1	153.8	2140	B1-U0-G1	149.2	2176	B1-U0-G1	151.8	2016	B1-U0-G1	140.6
20W40LED-727-G1	320	19.1	2802	B1-U0-G1	146.5	2983	B1-U0-G1	155.9	2930	B1-U0-G1	153.2	2842	B1-U0-G1	148.6	2891	B1-U0-G1	151.1	2678	B2-U0-G1	140.0
30W40LED-727-G1	440	26.8	3789	B1-U0-G1	141.6	4033	B1-U0-G1	150.7	3961	B1-U0-G1	148.0	3842	B1-U0-G1	143.6	3909	B1-U0-G1	146.1	3620	B2-U0-G1	135.3
35W40LED-727-G1	560	34.1	4787	B1-U0-G1	140.3	5096	B1-U0-G1	149.4	5004	B1-U0-G1	146.7	4855	B1-U0-G1	142.3	4938	B1-U0-G1	144.8	4574	B3-U0-G1	134.1
45W40LED-727-G1	712	43.7	6031	B2-U0-G1	138.1	6420	B2-U0-G2	147.0	6305	B2-U0-G1	144.4	6116	B1-U0-G1	140.1	6221	B1-U0-G1	142.5	5762	B3-U0-G1	132.0
65W40LED-727-G1	980	63.2	8130	B2-U0-G2	128.6	8655	B2-U0-G2	136.9	8500	B2-U0-G2	134.5	8246	B2-U0-G2	130.5	8387	B2-U0-G2	132.7	7769	B3-U0-G2	122.9
80W40LED-727-G1	1230	79.0	9975	B2-U0-G2	126.3	10619	B2-U0-G2	134.4	10428	B2-U0-G2	132.0	10116	B2-U0-G2	128.1	10290	B2-U0-G2	130.3	9531	B3-U0-G2	120.6
90W40LED-727-G1	1380	89.0	11199	B2-U0-G2	125.8	11922	B3-U0-G3	134.0	11708	B3-U0-G2	131.6	11358	B2-U0-G2	127.6	11553	B2-U0-G2	129.8	10701	B4-U0-G2	120.2
105W40LED-727-G1	1588	103.0	12626	B3-U0-G3	122.6	13442	B3-U0-G3	130.5	13201	B3-U0-G2	128.2	12806	B2-U0-G2	124.3	13026	B2-U0-G2	126.5	12065	B4-U0-G2	117.1
120W40LED-727-G1	1800	118.0	14059	B3-U0-G3	119.1	14967	B3-U0-G3	126.8	14698	B3-U0-G2	124.6	14258	B3-U0-G3	120.8	14503	B2-U0-G2	122.9	13434	B4-U0-G2	113.8
140W40LED-727-G1	2100	136.0	16072	B3-U0-G3	118.2	17110	B3-U0-G3	125.8	16803	B3-U0-G3	123.5	16300	B3-U0-G3	119.9	16580	B3-U0-G2	121.9	15357	B4-U0-G2	112.9
3000K / 70CRI																				
15W40LED-730-G1	240	14.3	2302	B1-U0-G1	160.5	2450	B1-U0-G1	170.9	2406	B1-U0-G1	167.8	2334	B1-U0-G1	162.8	2374	B1-U0-G1	165.6	2199	B2-U0-G1	153.4
20W40LED-730-G1	320	19.1	3057	B1-U0-G1	159.8	3255	B1-U0-G1	170.1	3196	B1-U0-G1	167.1	3101	B1-U0-G1	162.1	3154	B1-U0-G1	164.9	2921	B2-U0-G1	152.7
30W40LED-730-G1	440	26.8	4133	B1-U0-G1	154.5	4400	B1-U0-G1	164.4	4321	B1-U0-G1	161.5	4192	B1-U0-G1	156.6	4264	B1-U0-G1	159.3	3949	B2-U0-G1	147.6
35W40LED-730-G1	560	34.1	5222	B1-U0-G1	153.1	5559	B2-U0-G1	163.0	5459	B2-U0-G1	160.0	5296	B1-U0-G1	155.3	5387	B1-U0-G1	157.9	4990	B3-U0-G1	146.3
45W40LED-730-G1	712	43.7	6579	B2-U0-G2	150.7	7004	B2-U0-G2	160.4	6878	B2-U0-G1	157.5	6672	B2-U0-G2	152.8	6787	B1-U0-G2	155.4	6286	B3-U0-G1	144.0
65W40LED-730-G1	980	63.2	8869	B2-U0-G2	140.3	9442	B2-U0-G2	149.4	9273	B2-U0-G2	146.7	8995	B2-U0-G2	142.3	9150	B2-U0-G2	144.8	8475	B3-U0-G2	134.1
80W40LED-730-G1	1230	79.0	10882	B2-U0-G2	137.7	11584	B3-U0-G3	146.6	11376	B3-U0-G2	144.0	11036	B2-U0-G2	139.7	11226	B2-U0-G2	142.1	10398	B4-U0-G2	131.6
90W40LED-730-G1	1380	89.0	12217	B3-U0-G3	137.3	13006	B3-U0-G3	146.1	12773	B3-U0-G2	143.5	12391	B2-U0-G2	139.2	12604	B2-U0-G2	141.6	11674	B4-U0-G2	131.2
105W40LED-730-G1	1588	103.0	13774	B3-U0-G3	133.7	14664	B3-U0-G3	142.4	14401	B3-U0-G2	139.8	13970	B3-U0-G3	135.6	14210	B2-U0-G2	138.0	13162	B4-U0-G2	127.8
120W40LED-730-G1	1800	118.0	15337	B3-U0-G3	130.0	16327	B3-U0-G3	138.4	16034	B3-U0-G3	135.9	15555	B3-U0-G3	131.8	15822	B2-U0-G2	134.1	14655	B4-U0-G2	124.2
140W40LED-730-G1	2100	136.0	17533	B3-U0-G3	128.9	18665	B3-U0-G3	137.2	18330	B3-U0-G3	134.8	17782	B3-U0-G3	130.7	18087	B3-U0-G3	133.0	16753	B4-U0-G2	123.2
4000K / 70CRI																				
15W40LED-740-G1	240	14.3	2398	B1-U0-G1	167.2	2552	B1-U0-G1	178.0	2507	B1-U0-G1	174.8	2432	B1-U0-G1	169.6	2473	B1-U0-G1	172.5	2291	B2-U0-G1	159.7
20W40LED-740-G1	320	19.1	3185	B1-U0-G1	166.5	3390	B1-U0-G1	177.2	3329	B1-U0-G1	174.0	3230	B1-U0-G1	168.8	3285	B1-U0-G1	171.7	3043	B2-U0-G1	159.1
30W40LED-740-G1	440	26.8	4305	B1-U0-G1	160.9	4583	B1-U0-G1	171.3	4501	B1-U0-G1	168.2	4366	B1-U0-G1	163.2	4442	B1-U0-G1	166.0	4114	B3-U0-G1	153.7
35W40LED-740-G1	560	34.1	5440	B2-U0-G1	159.5	5791	B2-U0-G1	169.8	5687	B2-U0-G1	166.7	5517	B1-U0-G1	161.7	5612	B1-U0-G1	164.5	5198	B3-U0-G1	152.4
45W40LED-740-G1	712	43.7	6853	B2-U0-G2	157.0	7295	B2-U0-G2	167.1	7164	B2-U0-G1	164.1	6950	B2-U0-G2	159.2	7070	B1-U0-G2	161.9	6548	B3-U0-G1	150.0
65W40LED-740-G1	980	63.2	9239	B2-U0-G2	146.2	9835	B2-U0-G2	155.6	9659	B2-U0-G2	152.8	9370	B2-U0-G2	148.3	9531	B2-U0-G2	150.8	8828	B3-U0-G2	139.7
80W40LED-740-G1	1230	79.0	11335	B2-U0-G2	143.5	12067	B2-U0-G2	152.7	11850	B3-U0-G2	150.0	11496	B2-U0-G2	145.5	11693	B2-U0-G2	148.0	10831	B4-U0-G2	137.1
90W40LED-740-G1	1380	89.0	12726	B3-U0-G3	143.0	13548	B3-U0-G3	152.2	13305	B3-U0-G2	149.5	12907	B2-U0-G2	145.0	13129	B2-U0-G2	147.5	12161	B4-U0-G2	136.6
105W40LED-740-G1	1588	103.0	14348	B3-U0-G3	139.3	15275	B3-U0-G3	148.3	15001	B3-U0-G2	145.6	14552	B3-U0-G3	141.3	14802	B2-U0-G2	143.7	13710	B4-U0-G2	133.1
120W40LED-740-G1	1800	118.0	15976	B3-U0-G3	135.4	17008	B3-U0-G3	144.1	16702	B3-U0-G3	141.5	16203	B3-U0-G3	137.3	16481	B2-U0-G2	139.7	15266	B4-U0-G2	129.4
140W40LED-740-G1	2100	136.0	18263	B3-U0-G3	134.3	19443	B3-U0-G3	143.0	19094	B3-U0-G3	140.4	18523	B3-U0-G3	136.2	18841	B3-U0-G3	138.5	17452	B4-U0-G2	128.3
2700K / 80CRI																				
15W40LED-827-G1	240	14.3	1976	B1-U0-G1	137.8	2103	B1-U0-G1	146.7	2065	B1-U0-G1	144.0	2004	B1-U0-G1	139.7	2038	B1-U0-G1	142.1	1888	B1-U0-G1	131.6
20W40LED-827-G1	320	19.1	2624	B1-U0-G1	137.2	2793	B1-U0-G1	146.0	2743	B1-U0-G1	143.4	2661	B1-U0-G1	139.1	2707	B1-U0-G1	141.5	2507	B2-U0-G1	131.1
30W40LED-827-G1	440	26.8	3548	B1-U0-G1	132.6	3777	B1-U0-G1	141.1	3709	B1-U0-G1	138.6	3598	B1-U0-G1	134.5	3660	B1-U0-G1	136.8	3390	B2-U0-G1	126.7
35W40LED-827-G1	560	34.1	4482	B1-U0-G1	131.4	4772	B1-U0-G1	139.9	4686	B1-U0-G1	137.4	4546	B1-U0-G1	133.3	4624	B1-U0-G1	135.6	4283	B3-U0-G1	125.6
45W40LED-827-G1	712	43.7	5647	B2-U0-G1	129.3	6011	B2-U0-G1	137.7	5903	B2-U0-G1	135.2	5727	B1-U0-G1	131.2	5825	B1-U0-G1	133.4	5396	B3-U0-G1	123.6
65W40LED-827-G1	980	63.2	7613	B2-U0-G2	120.5	8104	B2-U0-G2	128.2	7959	B2-U0-G2	125.9	7721	B2-U0-G2	122.2	7854	B1-U0-G2	124.3	7274	B3-U0-G1	115.1
80W40LED-827-G1	1230	79.0	9340	B2-U0-G2	118.2	9943	B2-U0-G2	125.9	9765	B2-U0-G2	123.6	9473	B2-U0-G2	119.9	9635	B2-U0-G2	122.0	8925	B3-U0-G2	113.0
90W40LED-827-G1	1380	89.0	10487	B2-U0-G2	117.8	11164	B2-U0-G2	125.4	10963	B3-U0-G2	123.2	10635	B2-U0-G2	119.5	10818	B2-U0-G2	121.6	10020	B3-U0-G2	112.6
105W40LED-827-G1	1588	103.0	11823	B2-U0-G2	114.8	12586	B2-U0-G2	122.2	12361	B3-U0-G2	120.0	11991	B2-U0-G2	116.4	12197	B2-U0-G2	118.4	11297	B4-U0-G2	109.7
120W40LED-827-G1	1800	118.0	13164	B3-U0-G3	111.6	14014	B3-U0-G3	118.8	13763	B3-U0-G2	116.6	13351	B3-U0-G3	113.1	13580	B2-U0-G2	115.1	12579	B4-U0-G2	106.6
140W40LED-827-G1	2100	136.0	15049	B3-U0-G3	110.7	16021	B3-U0-G3	117.8	15733	B3-U0-G3	115.7	15263	B3-U0-G3	112.2	15525	B2-U0-G2	114.2	14380	B4-U0-G2	105.7
3000K / 80CRI																				
15W40LED-830-G1	240	14.3	2071	B1-U0-G1	144.4	2205	B1-U0-G1	153.8	2166	B1-U0-G1	151.0	2101	B1-U0-G1	146.5	2137	B1-U0-G1	149.0	1979	B1-U0-G1	138.0
20W40LED-830-G1	320	19.1	2751	B1-U0-G1	143.8	2929	B1-U0-G1	153.1	2877	B1-U0-G1	150.4	2791	B1-U0-G1	145.9	2838	B1-U0-G1	148.4	2629	B2-U0-G1	137.4
30W40LED-830-G1	440	26.8	3720	B1-U0-G1	139.0	3960	B1-U0-G1	148.0	3889	B1-U0-G1	145.3	3773	B1-U0-G1	141.0	3837	B1-U0-G1	143.4	3554	B2-U0-G1	132.8
35W40LED-830-G1	560	34.1	4700	B1-U0-G1	137.8	5003	B1-U0-G1	146.7	4913	B1-U0-G1	144.0	4766	B1-U0-G1	139.7	4848	B1-U0-G1	142.1	4491	B3-U0-G1	131.7
45W40LED-830-G1	712	43.7	5921	B2-U0-G1	135.6	6303	B2-U0-G2	144.4	6190	B2-U0-G1	141.8	6005	B1-U0-G1	137.5	6108	B1-U0-G1	139.9	5658	B3-U0-G1	129.6
65W40LED-830-G1	980	63.2	7982	B2-U0-G2	126.3	8498	B2-U0-G2	134.5	8345	B2-U0-G2	132.0	8096	B2-U0-G2	128.1	8235	B1-U0-G2	130.3	7628	B3-U0-G2	120.7
80W40LED-830-G1	1230	79.0	9793	B2-U0-G2	124.0	10426	B2-U0-G2	132.0	10239	B2-U0-G2	129.6	9932	B2-U0-G2	125.7	10103	B2-U0-G2	127.9	9358	B3-U0-G2	118.5
90W40LED-830-G1	1380	89.0	10996	B2-U0-G2	123.5	11706	B3-U0-G3	131.5	11496	B3-U0-G2	129.2	11152	B2-U0-G2	125.3	11343	B2-U0-G2	127.5	10507	B4-U0-G2	118.1
105W40LED-830-G1	1588	103.0	12397	B3-U0-G3	120.4	13197	B3-U0-G3	128.1	12961	B3-U0-G2	125.8	12573	B2-U0-G2	122.1	12789	B2-U0-G2	124.2	11846	B4-U0-G2	115.0
120W40LED-830-G1	1800	118.0	13803	B3-U0-G3	117.0	14695	B3-U0-G3	124.5	14431	B3-U0-G2	122.3	13999	B3-U0-G3	118.6	14240	B2-U0-G2	120.7	13190	B4-U0-G2	111.8
140W40LED-830-G1	2100	136.0	15780	B3-U0-G3	116.0															

S-OSA OmniScape

LED Urban Arm Mount with LEDgine technology

Specifications

Housing

In a round shape, this housing is made of injection die cast A360.1 aluminium alloy 0.1 (2.5mm) minimum thickness, composed of a hood and heat sink mechanically assembled. C/w latch giving a tool free access. Housing is rated IP66.

Roof

With Transitional and Historical Roof Series: In a round shape, hood is made of spun 1100 aluminum alloy 0.080 (2mm), mechanically assembled to the housing with four (4) 10 24 UNC screws.

Cage

In a round shape with 4 arms, each arm is a one-piece permanent mold A356 Aluminum alloy 0.188 (4.8mm) minimum thickness, mechanically assembled to the housing and fitter.

Fitter

Made of permanent mold A356 Aluminum alloy 0.188 (4.8mm) minimum thickness. Comes with an easy self adjusting system with two (2) set screws 3/8 16 UNC for ease of maintenance and installation. Fits on a 4" (102mm) outside diameter by 4" (102mm) long tenon.

Light Engine

LEDgine Technology is composed of 4 main components: Heat Sink / LED Module / Optical System / Driver.

Electrical components are RoHS compliant, IP66 sealed light engine. LEDs tested by ISO 17025-2005 accredited lab in accordance with IESNA LM-80 guidelines, extrapolations in accordance with IESNA TM-21. Metal core board ensures greater heat transfer and longer lifespan.

Lens (optional)

With Type 2BF, 2F, 3F, 3WF, 4F & 5F optics. Made of soda lime tempered glass lens, mechanically assembled, and sealed onto the housing.

LED Module

Composed of high-performance white LEDs. Color temperature as per ANSI/NEMA bin 4000 Kelvin nominal (3985K +/- 275K or 3710K to 4260K) or 3000 Kelvin nominal (3045K +/- 175K or 2870K to 3220K) or 2700 Kelvin nominal (2725K +/- 145K or 2580K to 2870K), CRI 70 or CRI 80.

Optical System

Composed of high-performance UV stabilized optical grade polymer refractor lenses to achieve desired distribution optimized to get maximum spacing, target lumens and a superior lighting uniformity. System is rated IP66. Performance shall be tested per LM 63, LM 79 and TM 15 (IESNA) certifying its photometric performance. Luminaire designed with 0% uplight and U0 per IESNA TM 15 and complies with Dark Sky requirements (3000K or lower only).

Heat Sink

Made of cast aluminum optimising the LEDs efficiency and life. Product does not use any cooling device with moving parts (only passive cooling device).

Driver

High power factor of 90% minimum electronic driver, operating range 50/60 Hz. Auto adjusting universal voltage input rated for both application line-to-line or line-to-neutral, THD of 20% max. Driver comes with dimming compatible 0-10 volts.

UNV: 120 to 277VAC

HVU: 347 to 480VAC

HVX: Extended voltage range (277-480VAC). Provides additional protection for abnormal power conditions like neutral drop on 277V installs or others.

The current supplying the LEDs will be reduced by driver if the driver experiences internal overheating as a protection to the LEDs and the electrical components. Output is protected from short circuits, voltage overload and current overload. Automatic recovery after correction.

Surge Protection

Surge protector tested in accordance with ANSI/IEEE C62.45 per ANSI/IEEE C62.41.2 Scenario I Category C High Exposure 10kV/10kA waveforms for Line Ground, Line Neutral and Neutral Ground, and in accordance with U.S. DOE (Department of Energy) MSSLC (Municipal Solid State Street Lighting Consortium) model specification for LED roadway luminaires electrical immunity requirements for High Test Level 10kV/10kA.

Driver options

ZD4i*: Zhaga-D4i certified fixture (add connector text if needed). Provides easy integration with zD4i smart sensors and communication nodes, enabling plug-and-play IoT upgrades.

DMG: Dimmable driver 0-10V

D4id*: DALI D4i certified driver. Provides extended DALI-2 functionality with power and data, especially for intra-luminaire DALI systems (Driver-Nodes-Sensors). Backward compatible with older DALI standards.

* These driver options ship with DALI bus power turned on and luminaire information loaded in Memory banks 1 as per ANSI C137.4 (2021). Consult factory for any other driver programming requirement.

Receptacles options

TLRD7: Receptacle with 7 pins enabling dimming and with two extra connections for future use (these connections are capped off at the factory requires connections to be made in the field), can be used with a twist lock control device or photoelectric cell or a shorting cap. Use of photocell or shorting cap is required to ensure proper illumination.

TLRSR: SR Sensor connector with 4 pins, installed on fixture. Shipped with protective cover.

Control options

FAWS: Field Adjustable Wattage Selector, pre-set to the highest position, can be easily switched in the field to the required position. This reduces total luminaire wattage consumption and reduces the light level – see FAWS multiplier chart for details.

OMS: Outdoor Multi Sensor

PH8S: IP66, Twist-lock UNV (120-277VAC)

PH8/347S: IP66, Twist-lock (347VAC)

PH8/480S: IP66, Twist-lock (480VAC)

PH9S: IP66, Shorting Cap

PHXLS: IP66, Extended life UNV (120-277VAC)

Luminaire options

FAWS: Field Adjustable Wattage Selector, pre-set to the highest position, can be easily switched in the field to the required position. This reduces total luminaire wattage consumption and reduces the light level – see the FAWS multiplier chart for more.

HS: House Side Shield. Shields light output to the back side of fixture.

SP2: Fail-On 20kV/10kA surge protection device that provides extra protection beyond standard 10kV/10kA level.

TN3: Fitter to fit over a 3" (76 mm) O.D. by 4" (102 mm) tenon.

TN3.5: Fitter to fit over a 3-1/2" (89 mm) O.D. by 4" (102 mm) tenon.

Decorative options

FNx: Selection of decorative cast 356 aluminum finials, mechanically assembled.

Bracket (shipped separately)

OSC: OmniScape contemporary style bracket. Made of Arm and Central Adaptor.

Arm: Made of cast 356 aluminum, welded to the Central adaptor.

Central Adaptor: Made of aluminum 6061_T6, 3" (76mm) outside diameter, complete with a tenon penetrating 12" (305mm) inside the pole. The tenon shall be mechanically fastened to the pole by two sets of three set_screws at 120° around the pole.

OST: OmniScape transitional style bracket. Made of Arm and Adaptor.

Arm: Made of 6061_T6 aluminum tubing, 2 3/8in. (60mm) outside diameter, welded to pole adaptor.

Adaptor: Made of cast 3Arm and Adaptor56 aluminum, mechanically assembled to pole by other.

Configuration

1A: Single arm **2:** Dual arm

Pole Interface

Contemporary bracket for 4" (102mm) round pole

R4: Standard

R4B: Fits 0.156" (4mm) wall thickness

R4D: Fits 0.120" (3mm) wall thickness

R4F: Fits 0.125" (3mm) wall thickness

R4N: Fits 0.188" (5mm) wall thickness

R4U: Fits 0.266" (7mm) wall thickness

R4V: Fits 0.250" (6mm) wall thickness

R4W: Fits 0.318" (8mm) wall thickness

Transitional bracket for 4" (102mm) round pole

R4: Standard

Finish

The Thermosetting powder coating provided meets the color requirements of the AAMA 2604 specification as measured per ASTM D2244. The Thermosetting product is applied at a dry film of 2.5 to 4.0 mils (64-102 microns) on textured finishes, resulting in a durable long-lasting finish.

S-OSA OmniScape

LED Urban Arm Mount with LEDgine technology

Specifications (continued)

LED manufacturing standard

The electronic components sensitive to electrostatic discharge (ESD) such as light emitting diodes (LEDs) are assembled in compliance with IEC61340 5 1 and ANSI/ESD S20.20 standards to eliminate ESD events that could decrease useful life of the product.

Quality Control

Manufactured to ISO 9001 2015 and ISO 14001 2015 International Quality Standards Certification.

Vibration Resistance

Meets the ANSI C136.31, American National Standard for Roadway Luminaire Vibration specifications for Bridge/overpass applications, when selecting single or dual contemporary bracket (OSC-1A/OSC-2). Tested for 3G over 100 000 cycles by an independent lab).

Service Tag

Each individual luminaire is uniquely identifiable, thanks to the Service tag application. With a simple scan of a QR code, placed inside the luminaire, you gain instant access to the luminaire configuration, making installation and maintenance operations faster and easier, no matter what stage of the luminaire's lifetime. Just download the APP and register your product right away.

For more details visit: signify.com/servicetag

Certifications and Compliance

cULus Listed for Canada and USA.

DesignLights Consortium qualified (DLC). Consult DLC Qualified Product Lists to confirm specific configuration is approved.

CCTs 3000K and warmer are IDA Dark Sky Approved.

Limited Warranty

5-year limited warranty.
See signify.com/warranties for details and restrictions.