



Project: _____

Location: _____

Cat.No: _____

Type: _____

Qty: _____

Notes: _____

Lightolier LED Downlight dual select Lightolier LED Gimbal dual select provides the perfect lighting solution for installation in low plenum and existing shallow space ceilings. The CCT and Lumen selection features make it easy to adjust at the time of installation.



Fixture

example: DL26RSLMZ10SCTUW

Family	Size	Lumens ¹	Dimming	CCT / CRI	Voltage	Finish
DL2						
DL2 Downlight	3R 3in Round	5 500lumens	E TRIAC to 5%	SCT 90CRI; Field Selectable 5CCT (2700K, 3000K, 3500K, 4000K & 5000K)	1 120V	W White (matte)
		SLM Field Selectable (500lm/700lm)	Z10 0-10V		U UNV	
	4R 4in Round	7 1000lumens	E TRIAC to 5%		1 120V	
		SLM Field Selectable (700lm/1000lm)	Z10 0-10V		U UNV	
	6R 6in Round	13 1200lumens	E TRIAC to 5%		1 120V	
		SLM Field Selectable (900lm/1200lm)	Z10 0-10V		U UNV	

1. Default settings for selectable features: highest available lumens and 4000K CCT.

Accessories

- DSAEC20 20" Extension cord
- DSANCP346 3" 4" 6" Round plate for new construction

Features

- Flange:** Die cast aluminum.
- Junction Box:** Extruded aluminum steel.
- Lifetime:** L70 at 50,000 hours and backed by a 5-year warranty.
- Trim:** Baffle trim for a commercial and residential look
- Connector:** locking power connection between J-box and fixture. Standard length of the connection is 14.96in (38cm).
- Gasket:** foam gasket supplied with the fixture.
- Connectors:** quick connectors supplied with the fixture for ease of installation.

Electrical

- Electronic power supply:** RoHS compliant.
- Isolated driver, Class 2 Power Unit.
- Remote power supply can only accommodate one LED module and cannot be shared with other LED module.
- Dimming:** 120V versions are compatible with ELV/TRIAC (120V) dimmers. UNV versions are compatible with 0-10V (UNV) dimmers.
- (Review our Dimmer Compatibility list for further information)

Labels

- ETL listed (UL 1598) for damp locations.
- IC rated for direct contact with thermal insulation.
- Operating temperature: -30°C to 40°C
- AirSeal for minimal air leakage.
- ENERGY STAR® certified.
- Title 24 compliant (JA8).
- Warranty Lifetime:** Expected lifetime 50,000 hours and backed by a 5-year warranty (<https://www.genlyte.com/en-us/support/warranties> for details).

	Lumen Output	Input voltage	Input Freq	Max. Input current	Max. Input power	Max. THD	Power factor	CRI
3" Round 120V	500lm	120V	60Hz	0.15A	6W	20%	0.9	90
3" Round UNV	500lm / 700lm	120V - 277V	50 / 60Hz	0.15A	4.2W / 6W	20%	0.9	90
4" Round 120V	1000lm	120V	60Hz	0.29A	12W	20%	0.9	90
4" Round UNV	700lm / 1000lm	120V - 277V	50 / 60Hz	0.29A	8.5W / 12W	20%	0.9	90
6" Round 120V	1200lm	120V	60Hz	0.32A	14.5W	20%	0.9	90
6" Round UNV	900lm / 1200lm	120V - 277V	50 / 60Hz	0.32A	10.9W / 14.5W	20%	0.9	90

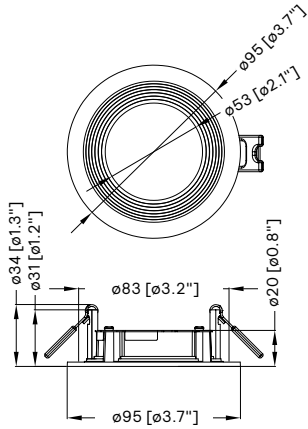
* Restrictions on Hazardous Substances (RoHS) is a European directive (2002/95/EC) designed to limit the content of 6 substances [lead, mercury, cadmium, hexavalent chromium, polybrominated biphenyls (PBB), and polybrominated diphenyl ethers (PBDE)] in electrical and electronic products. For products used in North America compliance to RoHS is voluntary and self-certified.

DL Downlight dual select

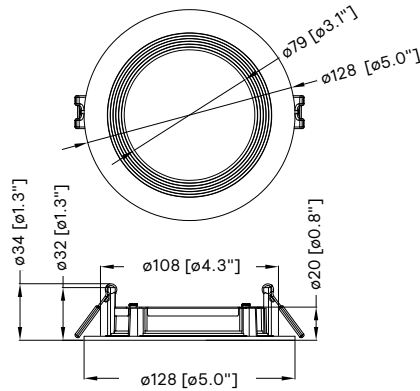
3", 4" & 6" Round

Dimensions

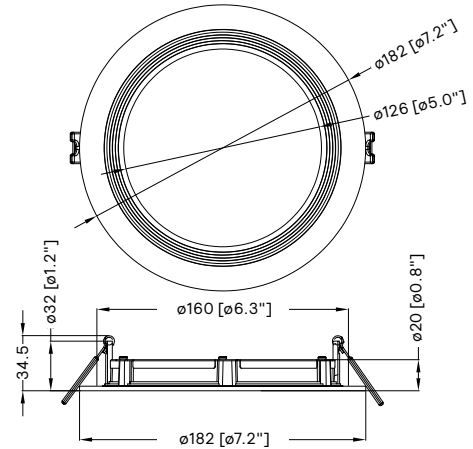
Downlight 3" Round



Downlight 4" Round



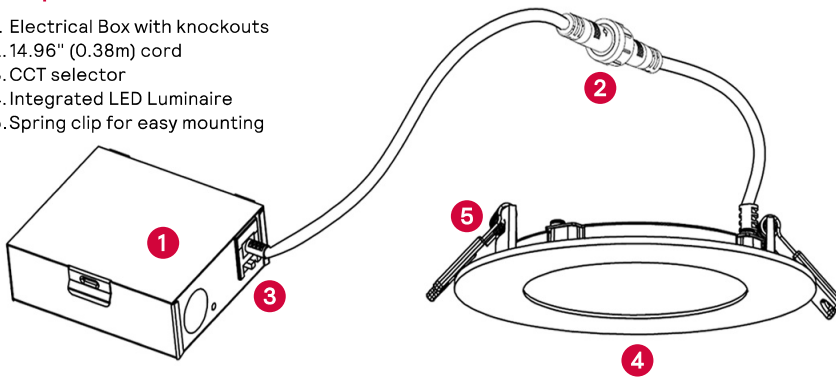
Downlight 6" Round



Note: All dimensions shown are in millimeters and inches

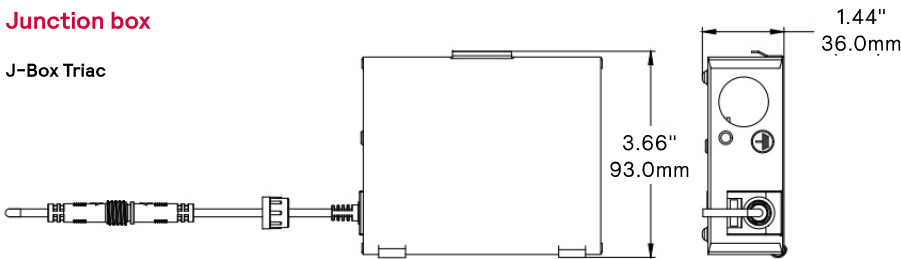
Components

1. Electrical Box with knockouts
2. 14.96" (0.38m) cord
3. CCT selector
4. Integrated LED Luminaire
5. Spring clip for easy mounting

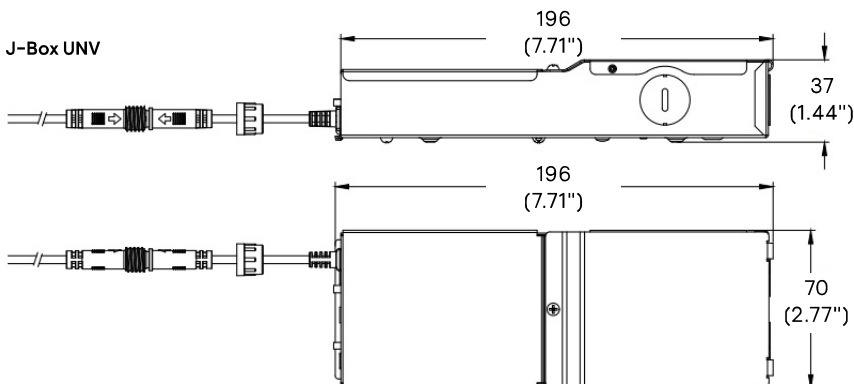


Junction box

J-Box Triac



J-Box UNV

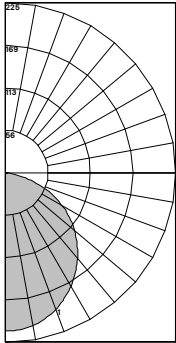


DL Downlight dual select

3", 4" & 6" Round

DL23R5ESCT1W

Candlepower Distribution



Fixture: **DL23R5ESCT1W**

Output lumens: 489 lms
 Correlated Color
 Temp:
 Input Watts: 6.0 W
 Efficacy: 89.3 lm/W
 CRI: 90 (min)
 Spacing Criterion: 1.24
 Beam Angle: 107°

Zonal summary

Zone	Lumens	%Luminaire
0-30	160	29.9%
0-40	260	48.5%
0-60	450	84.0%
0-90	536	100.0%

Angle	Mean CP	Lumens
0	210	
5	209	
10	206	20
15	201	
20	194	56
25	184	
30	174	84
35	162	
40	148	100
45	134	
50	119	101
55	104	
60	86	89
65	67	
70	47	62
75	27	
80	9	24
85	2	
90	0	2

Single unit data

Height to lighted plane	Initial center beam foot-candles	Beam diameter (ft)*
5'	8	6.2'
6'	6	7.4'
7'	4	8.7'
8'	3	9.9'
9'	3	11.2'

Multiple unit data - RCR 2

Spacing on center	Initial center beam foot-candles	Watts per sq. ft.
5'	22.0	0.27
6'	14.0	0.17
7'	10.0	0.12
8'	9.0	0.10
9'	7.0	0.08

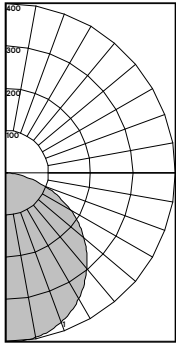
38' x 38' x 10' Room, Workplane 2 1/2' above floor, 80/50/20% Reflectances

Coefficients of utilization

Ceiling	80%				70%		50%		30%		0%	
	70	50	30	10	50	10	50	10	50	10	0	
Wall	70	50	30	10	50	10	50	10	50	10	0	
RCR	Zonal cavity method - Effective floor reflectance = 20%											
Room Cavity Ratio	0	119	119	119	119	116	116	111	111	106	106	100
	1	110	105	101	98	103	96	99	93	95	90	86
	2	100	92	86	80	90	79	87	77	84	76	72
	3	91	81	73	67	80	66	77	65	74	64	61
	4	84	72	63	57	71	56	68	56	66	55	52
	5	77	64	56	49	63	49	61	48	59	48	45
	6	71	58	49	43	57	43	55	42	54	42	39
	7	66	53	44	38	52	38	50	37	49	37	35
	8	61	48	40	34	47	34	46	33	45	33	31
	9	57	44	36	30	43	30	42	30	41	30	28
	10	54	41	33	28	40	27	39	27	38	27	25

DL24R10ESCT1W

Candlepower Distribution



Fixture: **DL24R10ESCT1W**

Output lumens: 1063 lms
 Correlated Color
 Temp:
 Input Watts: 11.5 W
 Efficacy: 92.4 lm/W
 CRI: 90 (min)
 Spacing Criterion: 1.24
 Beam Angle: 108°

Zonal summary

Zone	Lumens	%Luminaire
0-30	309	29.1%
0-40	503	47.3%
0-60	875	82.3%
0-90	1063	100.0%

Angle	Mean CP	Lumens
0	400	
5	401	
10	397	38
15	390	
20	378	108
25	364	
30	345	163
35	323	
40	297	194
45	270	
50	240	198
55	209	
60	175	174
65	138	
70	102	125
75	65	
80	29	58
85	0	
90	0	6

Single unit data

Height to lighted plane	Initial center beam foot-candles	Beam diameter (ft)*
5'	16	6.2'
6'	11	7.4'
7'	8	8.7'
8'	6	9.9'
9'	5	11.2'

Multiple unit data - RCR 2

Spacing on center	Initial center beam foot-candles	Watts per sq. ft.
5'	43.0	0.51
6'	28.0	0.33
7'	20.0	0.24
8'	17.0	0.20
9'	13.0	0.16

38' x 38' x 10' Room, Workplane 2 1/2' above floor, 80/50/20% Reflectances

Coefficients of utilization

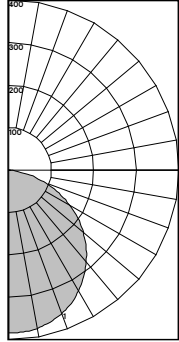
Ceiling	80%				70%		50%		30%		0%	
	70	50	30	10	50	10	50	10	50	10	0	
Wall	70	50	30	10	50	10	50	10	50	10	0	
RCR	Zonal cavity method - Effective floor reflectance = 20%											
Room Cavity Ratio	0	119	119	119	119	116	116	111	111	106	106	100
	1	109	105	101	97	103	96	98	93	95	90	85
	2	100	92	85	80	90	79	86	77	83	75	71
	3	91	81	73	67	79	66	76	65	74	64	60
	4	83	72	63	57	70	56	68	55	66	55	52
	5	77	64	55	49	63	48	61	48	59	47	45
	6	71	58	49	43	57	42	55	42	53	42	39
	7	66	52	44	38	52	37	50	37	49	37	35
	8	61	48	39	34	47	33	46	33	45	33	31
	9	57	44	36	30	43	30	42	30	41	30	28
	10	54	40	33	27	40	27	39	27	38	27	25

DL Downlight dual select

3", 4" & 6" Round

DL24RSLMZ10SCTUW

Candlepower Distribution



Fixture: DL24RSLMZ10SCTUW

Output lumens: 1041 lms
 Correlated Color
 Temp:
 Input Watts: 11.0 W
 Efficacy: 94.6 lm/W
 CRI: 90 (min)
 Spacing Criterion: 1.27
 Beam Angle: 110°

Zonal summary

Zone	Lumens	%Luminaire
0-30	298	28.6%
0-40	487	46.8%
0-60	854	82.0%
0-90	1041	100.0%

Angle	Mean CP	Lumens
0	385	
5	384	
10	380	36
15	372	
20	361	104
25	347	
30	329	158
35	308	
40	283	189
45	257	
50	229	194
55	198	
60	164	173
65	130	
70	94	124
75	58	
80	23	57
85	0	
90	0	5

Single unit data

Height to lighted plane	Initial center beam foot-candles	Beam diameter (ft)*
5'	15	6.4'
6'	11	7.6'
7'	8	8.9'
8'	6	10.2'
9'	5	11.4'

Multiple unit data - RCR 2

Spacing on center	Initial center beam foot-candles	Watts per sq. ft.
5'	43.0	0.49
6'	28.0	0.32
7'	20.0	0.23
8'	17.0	0.19
9'	13.0	0.15

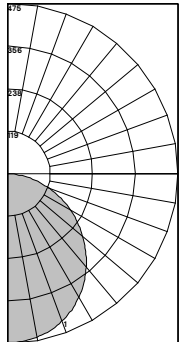
38' x 38' x 10' Room, Workplane 2 1/2' above floor, 80/50/20% Reflectances

Coefficients of utilization

Ceiling	80%				70%		50%		30%		0%	
	70	50	30	10	50	10	50	10	50	10	0	
Wall	70	50	30	10	50	10	50	10	50	10	0	
RCR	Zonal cavity method - Effective floor reflectance = 20%											
Room Cavity Ratio	0	119	119	119	119	116	116	111	111	106	106	100
	1	109	104	100	97	102	95	98	92	94	89	84
	2	99	91	84	79	89	78	86	76	82	74	70
	3	90	80	72	65	78	65	75	64	73	63	59
	4	83	71	62	55	70	55	67	54	65	54	51
	5	76	63	54	48	62	47	60	47	58	46	44
	6	70	57	48	42	56	41	54	41	53	41	38
	7	65	52	43	37	51	37	49	36	48	36	34
	8	61	47	39	33	46	33	45	32	44	32	30
	9	57	43	35	29	43	29	41	29	40	29	27
	10	53	40	32	27	39	27	38	27	37	26	25

DL26R12ESCT1W

Candlepower Distribution



Fixture: DL26R12ESCT1W

Output lumens: 1289 lms
 Correlated Color
 Temp:
 Input Watts: 14.0 W
 Efficacy: 92.1 lm/W
 CRI: 90 (min)
 Spacing Criterion: 1.25
 Beam Angle: 1.09°

Zonal summary

Zone	Lumens	%Luminaire
0-30	365	28.3%
0-40	594	46.1%
0-60	1034	80.2%
0-90	1289	100.0%

Angle	Mean CP	Lumens
0	472	
5	472	
10	466	45
15	456	
20	441	128
25	422	
30	399	192
35	372	
40	341	229
45	308	
50	274	233
55	238	
60	202	207
65	164	
70	125	156
75	86	
80	48	85
85	10	
90	0	14

Single unit data

Height to lighted plane	Initial center beam foot-candles	Beam diameter (ft)*
5'	19	6.3'
6'	13	7.5'
7'	10	8.8'
8'	7	10.0'
9'	6	11.3'

Multiple unit data - RCR 2

Spacing on center	Initial center beam foot-candles	Watts per sq. ft.
5'	52.0	0.62
6'	34.0	0.41
7'	24.0	0.29
8'	20.0	0.24
9'	16.0	0.19

38' x 38' x 10' Room, Workplane 2 1/2' above floor, 80/50/20% Reflectances

Coefficients of utilization

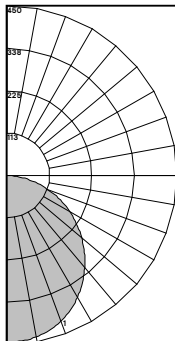
Ceiling	80%				70%		50%		30%		0%	
	70	50	30	10	50	10	50	10	50	10	0	
Wall	70	50	30	10	50	10	50	10	50	10	0	
RCR	Zonal cavity method - Effective floor reflectance = 20%											
Room Cavity Ratio	0	119	119	119	119	116	116	111	111	106	106	100
	1	109	104	100	97	102	95	98	92	94	89	84
	2	99	91	84	79	89	78	86	76	82	74	70
	3	90	80	72	65	78	65	75	64	73	63	59
	4	83	71	62	55	70	55	67	54	65	54	51
	5	76	63	54	48	62	47	60	47	58	46	44
	6	70	57	48	42	56	41	54	41	53	41	38
	7	65	52	43	37	51	37	49	36	48	36	34
	8	61	47	39	33	46	33	45	32	44	32	30
	9	57	43	35	29	43	29	41	29	40	29	27
	10	53	40	32	27	39	27	38	27	37	26	25

DL Downlight dual select

3", 4" & 6" Round

DL26RSLMZ10SCTUW

Candlepower Distribution



Fixture: **DL26RSLMZ10SCTUW**

Output lumens:	1202 lms
Correlated Color Temp:	65
Input Watts:	13.0 W
Efficacy:	92.5 lm/W
CRI:	90 (min)
Spacing Criterion:	1.24
Beam Angle:	1.08°

Zonal summary

Zone	Lumens	%Luminaire
0-30	341	28.4%
0-40	554	46.1%
0-60	962	80.0%
0-90	1202	100.0%

Angle	Mean CP	Lumens
0	444	
5	443	
10	438	42
15	428	
20	414	120
25	397	
30	374	179
35	349	
40	320	213
45	290	
50	258	216
55	224	
60	191	192
65	156	
70	119	145
75	83	
80	48	80
85	12	
90	0	14

Single unit data

Height to lighted plane	Initial center beam foot-candles	Beam diameter (ft)*
5'	18	6.2'
6'	12	7.4'
7'	9	8.7'
8'	7	9.9'
9'	5	11.2'

Multiple unit data - RCR 2

Spacing on center	Initial center beam foot-candles	Watts per sq. ft.
5'	52.0	0.58
6'	34.0	0.38
7'	24.0	0.27
8'	20.0	0.23
9'	16.0	0.18

38' x 38' x 10' Room, Workplane 2 1/2' above floor, 80/50/20% Reflectances

Coefficients of utilization

Ceiling	80%				70%		50%		30%		0%	
	70	50	30	10	50	10	50	10	50	10	0	
Wall												
RCR	Zonal cavity method - Effective floor reflectance = 20%											
Room Cavity Ratio	0	119	119	119	119	116	116	111	111	106	106	100
1	109	104	100	97	102	95	98	92	94	89	84	84
2	99	91	84	79	89	78	86	76	82	74	70	70
3	90	80	72	65	78	65	75	64	73	63	59	59
4	83	71	62	55	70	55	67	54	65	54	51	51
5	76	63	54	48	62	47	60	47	58	46	44	44
6	70	57	48	42	56	41	54	41	53	41	38	38
7	65	52	43	37	51	37	49	36	48	36	34	34
8	61	47	39	33	46	33	45	32	44	32	30	30
9	57	43	35	29	43	29	41	29	40	29	27	27
10	53	40	32	27	39	27	38	27	37	26	25	25

* Tested using absolute photometry as specified in LM79: IESNA Approved Method for the Electrical and Photometric Measurements of Solid-State Lighting Products.