



Architectural Linear

TruVue

Suspended



Ledalite TruVue Suspended is a distinctive luminaire, that highlights the architectural space with an open view to the structure above. A unique optical design delivers multiple direct / indirect distributions for lighting a variety of different applications from a uniform aesthetic.

TruVue includes AccuRender technology for the highest color quality at the highest efficacy.

Project: _____
 Location: _____
 Cat.No: _____
 Type: _____
 Line ID: _____ Qty: _____
 Notes: _____

Luminaire ordering guide¹²

quickship options

Tunable White options

Example: TV06L9T240AD08GO,D1,B48B

Family	Version	Distribution ¹	Source	CRI/CCT ^{1,2,3}	Lumens lm/4ft (lm/ft)	Optics	Length ⁴	Fixture Finish
TV	0	6	L	950 90+/5000K	60 6000lm (1500lm)	AA 30% Down / 70% Up	04 4ft	W Standard White
TV	TruVue	0 Suspended	6 Direct/Indirect	L LED	50 5000lm (1250lm)	AD 50% Down / 50% Up	06 6ft	T Titanium Silver
				940 90+/4000K	40 4000lm (1000lm)	AG 75% Down / 25% Up	08 8ft	G Graphite Grey
				935 90+/3500K	30 3000lm (750lm)		XX Continuous run	B Midnight Black
				930 90+/3000K	20 2000lm (500lm)			C Custom (specify color)
				927 90+/2700K	10 1000lm (250lm)			
				9T2 90+/2700-6500K 2ch Tunable White (confirm controls)	Other lumen options possible in increments of 100lm/4ft (25lm/ft) between 1000-6000lm/4ft		Specify length in 2ft increments, up to 16ft per power drop	

Shippable Luminaire Accessories

Endcap Type	Mount Type	Ceiling Type	Canopy Color	Suspension Length	Power Cord Color
O Open Sculpted C Closed Sculpted	D Reverse Gripper Aircraft Cable Mount	1 Non-accessible ceiling, 0"-5" Slope Mount 2 T-Grid Fixed Position Mount 3 Non-accessible ceiling, 0"-90" Slope Mount 5 T-Grid 24" Span Mount, (non tegular tile only) 6-1 T-Grid On-Grid Mount 15/16" (non tegular tile only) 6-2 T-Grid On-Grid Mount 9/16" (non tegular tile only) 6-3 T-Grid On-Grid Mount 9/16" x 5/16" (slot tee & tegular tile)	W Standard White T Titanium Silver G Graphite Grey B Midnight Black C Custom	24 24" 48 48" 96 96" 144 144" 192 192" 240 240"	W White B Black

Remote DriverPod ordering guide¹²

Example: DBGDF1NCSN-D210002

Family	Version	Voltage ³	Driver ^{2,3,8}	Circuit ^{5,6}	Wiring Option ^{5,6,7}	Systems/Controls ^{8,9,10}
DB	G T-Grid C T-Grid (Chicago Plenum) D Drywall S Open Structure	3 347V	E Advance Xitanium 0-10V (1%)	1 Single Circuit	B Battery Pack E Auxiliary Wiring	NN None
		D UNV 120-277V	H Advance Xitanium DALI-2 D4i (1%) Lutron EcoSystem LDE (<1%, Fade-to-Black)	1 Single Circuit	G GTD 120V H GTD 277V	RA Interact RADIO only node CS Interact wireless day & occ. sensor SB Interact advanced wireless sensor bundle
	G & C T-Grid DriverPods for suspended or wall mount luminaires. D & S DriverPods for suspended luminaires only.	D UNV 120-277V	S Advance Xitanium SR, DALI-2 D4i (1%, Dim-to-off, Fade-to-on)	1 Single Circuit	R UL924 sensor bypass relay	AS Lutron Athena Sensor AWNS (Day/Occ) AR Lutron Athena Radio Node Awnr VR Lutron Vive Sensor VDO (Day/Occ) VRF Lutron Vive Radio Node VRF
		D UNV 120-277V	A Advance Xitanium 0-10V + Aux (1%, Dim-to-off, Fade-to-on)	1 Single Circuit	B Battery pack	DO Basic Daylight and Occupancy AS Lutron Athena Sensor AWNS (Day/Occ) AR Lutron Athena Radio Node Awnr
		D UNV 120-277V	F Advance FlexTune 2ch SR, DALI-2 DT8 (1%, Dim-to-off, Fade-to-on)	1 Single Circuit	R UL924 sensor bypass relay	RA Interact RADIO only node CS Interact wireless day & occ. sensor SB Interact advanced wireless sensor bundle
			2 0-10V 2ch (0.1%) 8 DALI-2 DT8 2ch (0.1%)	1 Single Circuit	B Battery pack	AS Lutron Athena Sensor AWNS (Day/Occ) AR Lutron Athena Radio Node Awnr NN None

Finish ¹¹	Factory Set Fields*			
	DriverPod Variant	Driver Quantity/DriverPod	Driver Output Current (mA)	DC Power Drops ^{5,6}
N None, Satin Coat W Standard White T Titanium Silver G Graphite Grey B Midnight Black C Custom (specify color)	S Single DriverPod D Dual DriverPod Q Quad DriverPod	1 One Driver 2 Two Drivers 3 Three Drivers 4 Four Drivers	xxxx mA Each individual driver in a DriverPod is programmed to the same output current.	1 1DC Power Drop 2 2DC Power Drops 3 3DC Power Drops 4 4DC Power Drops

*Note: DriverPod Variant, Driver Current and DC Power Drop fields are factory set fields determined by lumen and run length selection.

- Nominal values within a range. Some lumen packages not available in all configurations, consult photometry data for CRI/CCT (static & tunable white), lumens & distribution of chosen configuration.
 - Tunable White available with Advance FlexTune 2ch SR, 0-10V 2ch, DALI-2 (DT8) drivers. Please inquire about options for DMX.
 - 347V Only available with static white and E - Advance Xitanium 0-10V (1%) driver option, not available with GTD or Battery Packs.
 - Standard continuous run length increments are 2ft. Consult Ledalite for other increments as short as 6in.
 - Some circuit/wiring options not available in all configurations, consult Ledalite for other available options.
 - DriverPods are pre-wired for standard circuit & battery pack trigger wire (if applicable). All circuits are clearly labelled.
 - Auxiliary & GTD wiring not available with sensor options. UL924 listed sensor bypass relay is factory installed in DriverPod between driver & sensor. Must be installed in conjunction with a UL1008 device.
 - Signify and Lutron sensor options can only be combined with driver types S, A or F as noted above, must select NN for System/Controls options with all other driver types. Please inquire about other third party sensors options.
 - Interact options may require an IRT9015 Interact commissioning remote or other separate controls hardware by Signify.
 - Sensors are remote mounted (confirm mounting type). Default sensor color is white. Interact and Athena node or sensor colour can be white or black. Vive, Basic Day/Occ and remote sensor mounting are white only.
 - Satin Coat finish (N) only available on T-Grid DriverPods. Powder coat finishes (W, T, G, B, C) only available on Drywall and Open Structure DriverPods.
 - Other options not shown here may be possible via a custom request, please consult factory. Extended lead times and minimum order quantities may apply.
- Note: Due to continuing product improvements, Ledalite reserves the right to change the specifications without notice.

DLC Note: Not all product variations listed on this page are DLC qualified. To ensure that a specific model is qualified, visit www.designlights.org/search



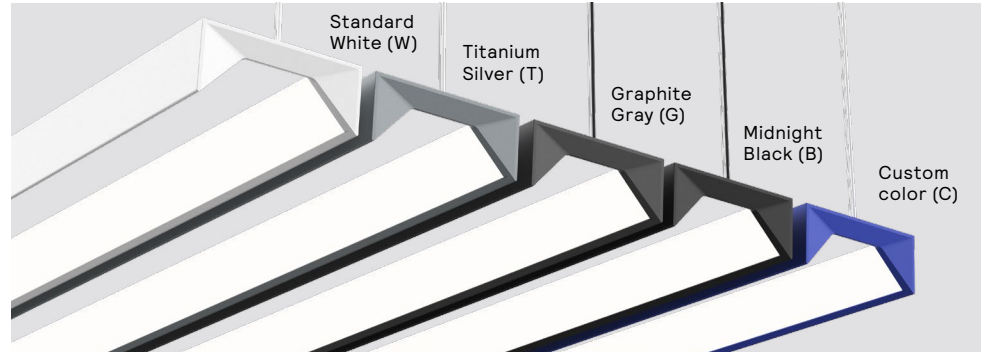
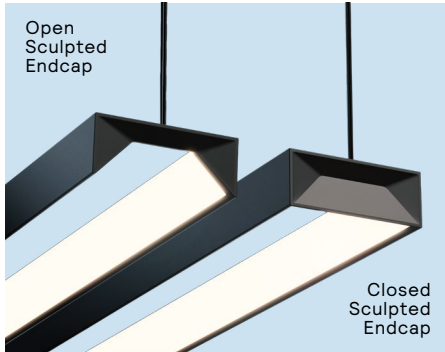
TruVue Suspended



TruVue suspended is distinctive, but not distracting.
Designed to make your architecture shine.

Find the TruVue family by scanning or clicking the QR code.

Endcaps



Note: Colors above are a representation, due to monitor calibration or printing process they may differ from luminaire powder coat finish.

Options

Standalone

TruVue luminaires are available as standalone modules, in 4ft, 6ft or 8ft standard lengths, or consult Ledalite for custom lengths (extended lead times may apply).

Continuous runs

TruVue is engineered to support continuous runs in any combination of 4ft, 6ft or 8ft sections. Modules are joined together via simple wire free plug & play connections.

Remote DriverPods

Single, dual and quad DriverPod options have been optimized for ease of installation offering upto 4 standalone luminaires or 32ft of continuous run from one quad DriverPod*.

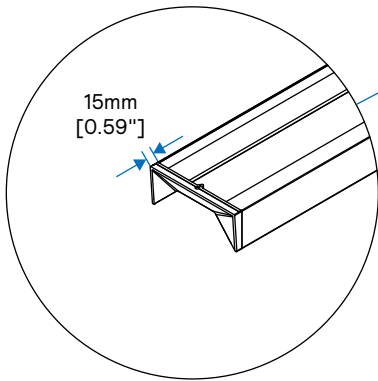
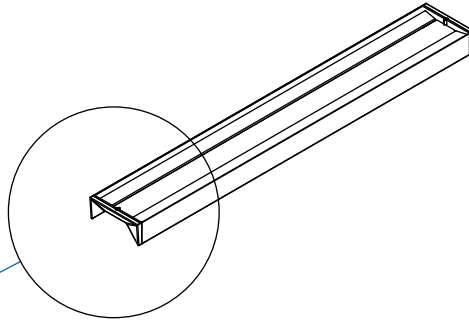
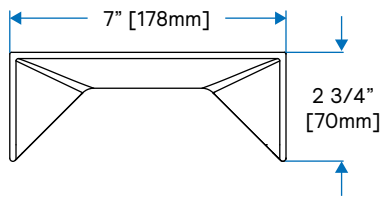
* Up to 16ft continuous run per power feed.



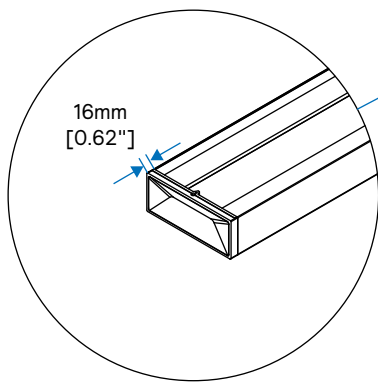
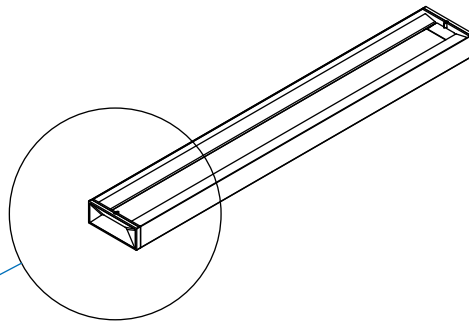
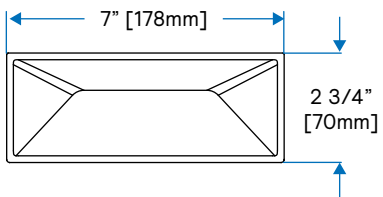
TruVue Suspended

Dimensions

Open Sculpted Endcap



Closed Sculpted Endcap

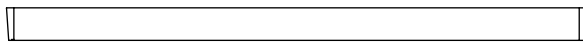
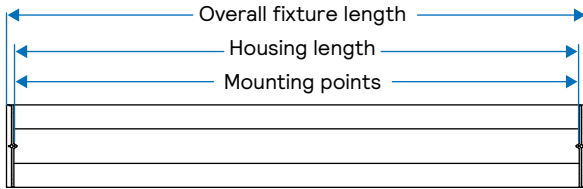


TruVue Suspended

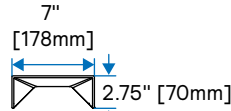
Dimensions

Top View

4ft



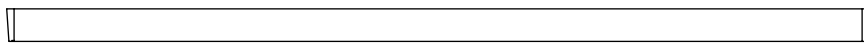
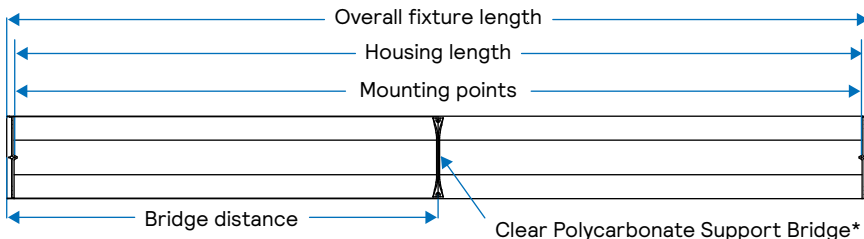
Side View



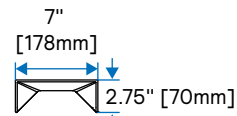
End View

Top View

6ft



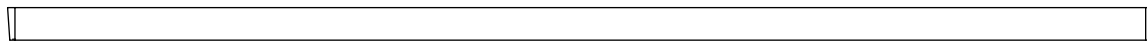
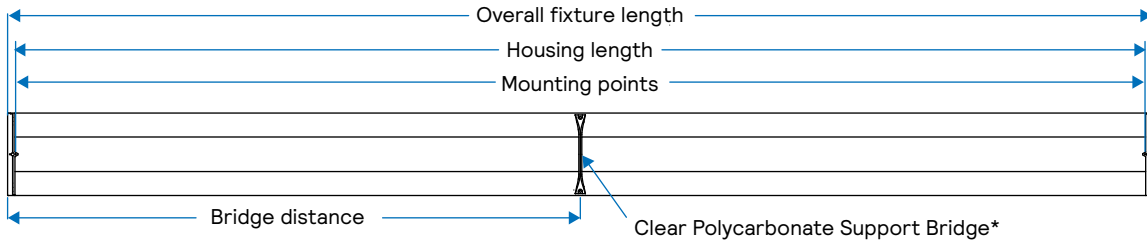
Side View



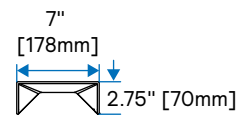
End View

Top View

8ft



Side View



End View

Nominal	Overall Length	Housing Length	Mounting Point Distance	Bridge Distance*
4ft	49.2" [1250mm]	48.0" [1219mm]	47.9" [1216mm]	N/A
6ft	73.2" [1860mm]	72.0" [1828mm]	71.9" [1826mm]	36.6" [930mm]
4ft	97.3" [2470mm]	96.0" [2438mm]	95.9" [2435mm]	48.6" [1235mm]

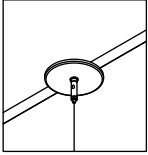
*Clear polycarbonate support bridge only on 6ft and 8ft versions.

TruVue Suspended

Mounting and DriverPod Details

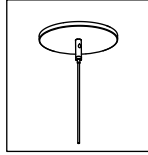
Non-Power Mounts

T-Grid (D5 and D6)



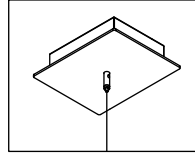
Canopy diameter:
3" [76mm]
(D6-1 Shown)

Drywall (D1)



Canopy diameter:
5" [127mm]

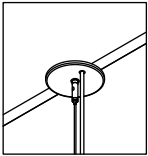
Open Structure (D3)



Cover: 6"x6"x0.13" [152mmx152mmx3mm]
Base: 4.5"x4.5"x1.26" [114mmx114mmx32mm]

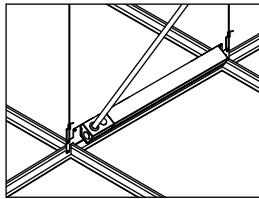
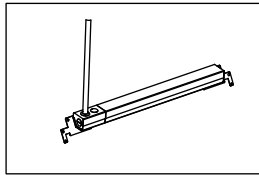
Powered Mounts and DriverPods*

T-Grid (D5 and D6)



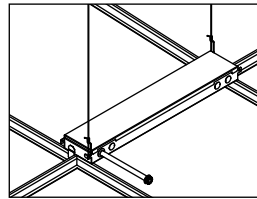
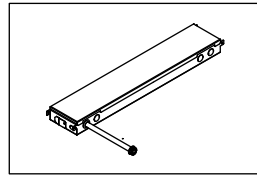
Canopy diameter:
3" [76mm]
(D6-1 Shown)

T-Grid Recessed
Single DriverPod



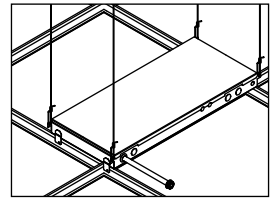
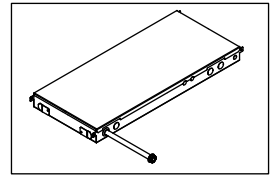
DriverPod: 21.65"x1.88"x1.65"
[550mmx48mmx42mm]

T-Grid Recessed
Dual DriverPod



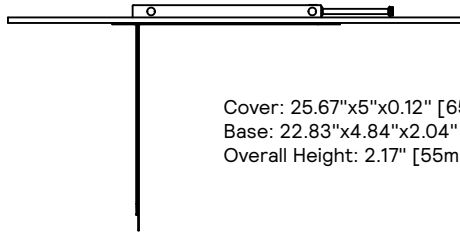
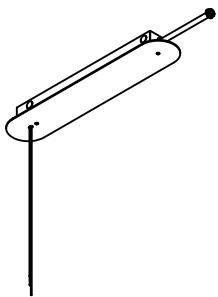
DriverPod: 24.43"x4.58"x1.96"
[621mmx116mmx50mm]

T-Grid Recessed
Quad DriverPod



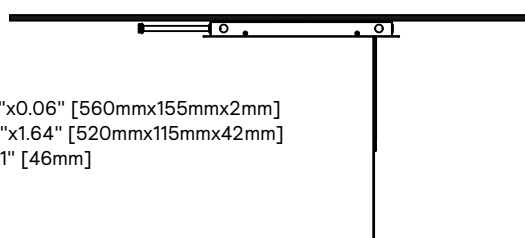
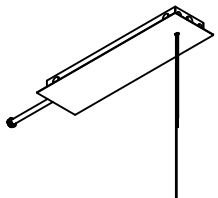
DriverPod: 24.39"x10.7"x2.03"
[620mmx272mmx52mm]

Drywall Recessed
Dual DriverPod with Suspension



Cover: 25.67"x5"x0.12" [652mmx127mmx3mm]
Base: 22.83"x4.84"x2.04" [580mmx123mmx52mm]
Overall Height: 2.17" [55mm]

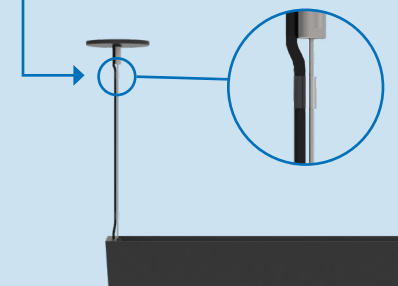
Open Structure Surface Mounted
Dual DriverPod with Suspension



Cover: 22.05"x6.1"x0.06" [560mmx155mmx2mm]
Base: 20.47"x4.53"x1.64" [520mmx115mmx42mm]
Overall Height: 1.81" [46mm]

*Notes:

- DC Power Drops are available in black or white.
- Diameter of DC Power Drops:
For Static White - 0.146" [3.7mm]
For Tunable White - 0.171" [4.3mm]
- Custom clear low profile cable clips are provided to hold the DC Power Drop tightly in line with Aircraft Cable for an attractive single drop appearance.



TruVue Suspended

Specifications

Optical System

White light emitted from the LED sources is directed by precision optics to homogeneously illuminate the extruded acrylic silk lens profiles providing soft, uniform direct / wide indirect lighting distributions.

Housing

Precision aluminum extrusion and diecast aluminum endcaps.

Finish

Housing and endcaps are coated with a high quality electrostatically applied, thermally cured polyester powder coat finish, available in standard Matte White, Titanium Silver, Graphite Grey or Midnight Black. TruVue can also be specified in any custom color upon request for a one-time setup charge.

Mounting

Suspended: Rapid installation high strength aircraft cable and tamper-resistant gripper at joints and ends. provide unlimited vertical adjustment and are independently tested to stringent safety standards.

Powered and Non-powered mounts are provided for T-Grid, Drywall and open structure ceilings.

Joints

Self-aligning joining system with wire-free plug and play connections.

Electrical & Servicing

Fixtures are engineered with wire free plug & play connections at each section end and tested for all circuits. LED boards and drivers are easily field replaceable.

DriverPods

Remote DriverPods are connected to building mains. Low voltage cables provide power to luminaires as per factory provided drawings.

Drivers

Class 2 rated output. Lowest dimming level shown in brackets. Consult Ledalite for other available drivers or custom requests.

Static White 120-277V

- Advance Xitanium 0-10V (1%)
- Advance Xitanium DALI-2 D4i (1%)
- Advance Xitanium SR (Sensor Ready), DALI-2 D4i (1%, Dim-to-off, Fade-to-on)
- Advance Xitanium 0-10V + Aux (1%, Dim-to-off, Fade-to-on)
- Lutron EcoSystem LDE1 (<1%, Soft-on, Fade-to-Black)

Static White 347V

- Advance Xitanium 0-10V (1%)
- Advance Xitanium SR, DALI-2 D4i (1%) – Contact Factory

Tunable White 2-channel 120-277V

- Advance FlexTune 2ch SR (Sensor Ready), DALI DT8 (1%, Dim-to-off, Fade-to-on)
- 0-10V 2ch (0.1%)
- DALI-2 DT8 2ch (0.1%)

Integral Battery Packs and GTDs

Bodine Battery Pack, 90 min, 10W, Class 2 rated output. Low profile test switch is easily accessible on the DriverPod.

Lumen output = 10W x luminaire efficacy x 1.1.

Typical output ~1300lm.

Bodine GTD (generator transfer device) is for use with a generator or central inverter. Requires connection to an emergency source derived from a UL 1008 Listed transfer switch.

Lumen Maintenance

LEDs have been tested by the manufacturer in accordance with IESNA LM-80-15.

At an ambient temperature of 25°C, the LED lumen maintenance expectation according to IES TM-21-11 is:

L_{80} (10k) > 60,000 hours (Reported methodology).

Source Color

LEDs rated for color rendering of:

$CRI R_a \geq 90, R_g \geq 50, G_a \geq 97, C_g \geq 90$

IES TM-30-18 : $R_f \geq 90, R_{f,hl} \geq 89, R_g \geq 99, R_{cs,hl} \geq -5\%$

SPD and TM-30-18 reports available upon request

Fixture to fixture color accuracy within:

2 SDCM for Static White luminaires

3 SDCM for Tunable White luminaires

Approvals

Certified to UL, IES & CSA Standards.

City of Chicago Approved CCEA (DriverPod Version C).

Type IC Rated (DriverPods).

Select TruVue configurations contribute toward satisfying the following features under the WELL v2 Building Standard®:

L03: When specified with a Tunable White system.

L04: Glare management for configurations at <19 UGR and <16 UGR.

L07: Brightness management with batwing distributions allowing for even lighting within a space, while spacing the fixtures wider apart than typical recessed luminaire product.

L08: AccuRender CRI 90 standard LED boards with high performance Advance Xitanium drivers (or optional drivers) to manage color quality and flicker

L09: When specified with Interact or when tied to a 3rd party control system.

X07: Materials Transparency, with ingredients evaluated and disclosed through a Declare label, operated by the International Living Future Institute

Luminaires that include Interact controls options can help meet the requirements in 90.1-2022, IECC 2021, and CA T24 2022 for a maximum of 20min. time out for occupancy controls.

TruVue Suspended

Specifications (continued)

Environment

Rated for dry or damp locations in operating ambient temperatures of 25±5°C (77±9°F).

Many luminaire components, such as reflectors, refractors, lenses, and LEDs are made from various types of plastics which can be adversely affected by airborne contaminants. If sulfur-based chemicals, petroleum-based products, cleaning solutions, or other contaminants are expected in the intended area of use, consult factory for compatibility. Damage caused by sulfur, chlorine, petroleum-based solution or other contaminants are not covered under warranty. Not suitable for natatorium environments.

Warranty

Five-year luminaire limited warranty including LED boards and driver: www.signify.com/warranties

QuickShip

10-day QuickShip available for most configurations upon request. More information available at: www.signify.com/en-us/brands/ledalite/quickship

Interact Control Options

Interact radio node for Standalone, Gateway & Gateway + IoT tiers (RA)

- RA sensor option is a connected radio node supporting wireless mesh connectivity.
- Compatible with standalone and gateway modes of Interact.

Interact occupancy & daylight sensor for Standalone, Gateway & Gateway + IoT tiers (CS)

- The CS sensor option is a connected sensor with built-in occupancy and daylight detection, along with wireless mesh connectivity.
- Compatible with standalone and gateway modes of Interact.

Interact advanced sensor bundle for Gateway + IoT tier (SB)

- SB sensor option offers occupancy and daylight sensing and supports advanced IoT capabilities, such as desk-level temperature and humidity monitoring, noise classification, and Bluetooth Low Energy (BLE) beacon functionality.
- Setup requires a compatible gateway and internet connectivity.
- With compatible gateway and software analytics, SB sensor option enables greater building efficiency, seamless system integration, and optimized space utilization through occupancy and environmental insights.

Other Control Options

Tunable White

- Tunable white options are available with Interact wireless, Lutron Athena wireless or with 2ch 0-10V or DALI-2 (DT6 or DT8) wired drivers. Please inquire about options such as DMX control (extended lead times may apply).
- Signify tunable white solutions are designed to help maximize the influence of lighting on your daily life.
- Dynamic behaviors via scheduled lighting recipes mimicking daylight patterns or supporting biorhythms.
- Scene setting via lighting pre-sets based on various combinations of lighting color temperature and intensity.

Controls Ordering Codes

Many 3rd party control solutions can be used separate of the luminaire when the correct driver is specified (i.e. 0-10V, DALI, EcoSystem). Consult Ledalite for other integral sensors, remote sensors, and custom requests such as those from Encelium, Wattstopper, or others.

Wireless & Connected Controls

- Interact RADIO only node (RA)
- Interact wireless day & occ. Connected Sensor (CS)
- Interact advanced wireless Sensor Bundle (SB)
- Lutron Athena Sensor AWNS (AS)
- Lutron Athena Node AWNR (AR)
- Lutron Vive Sensor VDO (VS)
- Lutron Vive Node VRF (VR)

Discrete Controls

- Basic Daylight and Occupancy (DO)

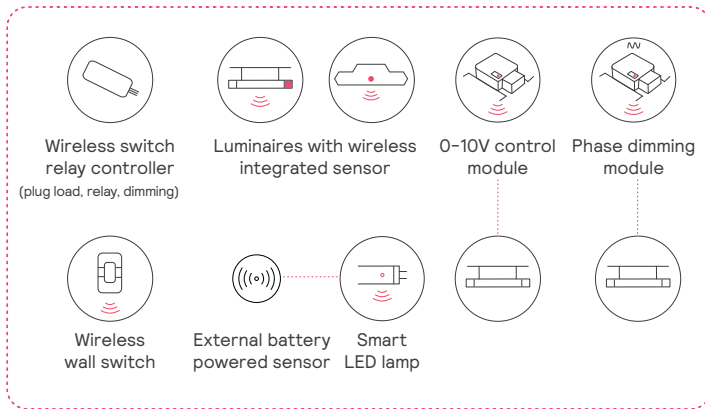
Interact for intelligent buildings sensor option codes across Genlyte product lines*

	Sensor Part Number	Day-Brite	Ledalite	Lightolier
Zigbee + Bluetooth	SC100B	RADIO	RA	RA
Zigbee + Bluetooth + Sensing	SC200B	SWZCS	CS	SBA or SWCS accessory
Zigbee + Bluetooth + Sensing + Environmental data	SC1500	IAOSB	SB	SBA or SWCS accessory
Zigbee + Highbay + Sensing	SNH210 IA	SWZCSH	-	-

*TruVue is available with remote mounted sensors, please confirm recessed or surface sensor mounting. An SR driver option must be selected, extended lead times may apply.

Signify
interact

Easy. Effective. Smart.



Meet Interact

A smart, wireless luminaire level lighting control system (LLLLC). A complete solution that combines modern and intuitive technologies for easy installation and specification.

- Works with or without gateway
- **No** IT
- **No** light point restrictions
- **Up to 75%** out of the box savings
- **Fast & easy**
- **Code & rebates** compliant

Capabilities

- Luminaire integrated occupancy and daylight sensing
- BMS integration
- Human-centric lighting
- Connectivity & insights
- Full Automation*
- Security

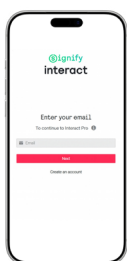
*Grouping, zoning, dimming, high-end trimming, scenes, scheduling, manual controls

Benefits

- Up to 80% installation savings¹**
Compared to installation costs of wired systems
- Up to 5 min faster setup time²**
Compared to similar wireless systems
- Less than 2 year payback**
Implement deep energy-saving strategies and claim utility rebates
- 1.8x more energy savings**
Compared to conventional control systems
- Up to 2x utility rebates**
Network Interact ready devices and get more utility rebates³

1. Versus legacy systems based on installer interviews
2. Based on installer analysis done by Signify for a typical multi-zone space
3. Utility programs across US

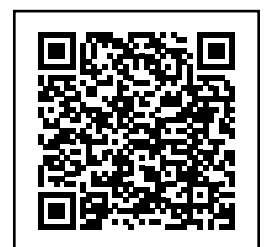
Just lights and an App



1. Install the Interact ready fixtures with embedded smart sensor
2. Install the wireless wall switch
3. Configure your setup with the Interact App
4. Leverage the IRT9015 remote accessory to accelerate your setup process
5. Optionally add a gateway for insights and management

Learn more about Interact:

Interact includes an app, a web portal, and a comprehensive range of Interact ready wireless luminaires, lamps, retrofit kits, and control devices like switches and sensors that operate within the same system.



TruVue Suspended

Colorimetry

TruVue (TVx6) AccuRender Tunable White

Nominal CRI & CCT		CRI 90+ 2700K	CRI 90+ 3000K	CRI 90+ 3500K	CRI 90+ 4000K	CRI 90+ 5000K	CRI 90+ 6500K
CIE 013.3-1995 ¹	CRI R _a	93	94	95	96	96	95
	R ₉	53	64	77	85	93	89
	G _a	99	101	103	103	103	101
	C ₉	92	94	96	97	99	98
IES TM-30-18 ²	R _f	91	92	92	91	91	90
	R _{f,h1}	89	91	93	93	93	91
	R _g	100	102	102	102	103	100
	R _{cs, h1}	-6%	-5%	-4%	-3%	-3%	-3%
MDER ³		0.45	0.53	0.62	0.70	0.81	0.97

TruVue (TVx6) AccuRender Static White

Nominal CRI & CCT		CRI 90+ 2700K	CRI 90+ 3000K	CRI 90+ 3500K	CRI 90+ 4000K	CRI 90+ 5000K
CIE 013.3-1995 ¹	CRI R _a	92	92	92	92	93
	R ₉	52	53	60	56	70
	G _a	100	100	100	97	99
	C ₉	92	92	93	92	94
IES TM-30-18 ²	R _f	90	90	90	89	90
	R _{f,h1}	89	89	90	88	90
	R _g	101	101	100	98	100
	R _{cs, h1}	-6%	-6%	-6%	-6%	-5%
MDER ³		0.43	0.49	0.56	0.66	0.79

1. Color Rendering Index (CRI Ra) and Strong Red (R9) are calculated in accordance with CIE 013.3-1995. Color Gamut index (Ga) and red chroma index (C9) are CIE based properties using the Global Lighting Association's calculation tool.
2. Fidelity Index (Rf), Red Fidelity Index (Rf,h1), Gamut Index (Rg), and Red Local Chroma Shift (Rcs,h1) are calculated in accordance with IES TM-30-18.-18.
3. Melanopic Daylight Efficacy Ratio (MDER) is the measure for "spectral melanopic efficiency" as defined in CIE S 026-2018.

TruVue Suspended

Photometry

TruVue Suspended (TV06) Semi-Indirect – Acrylic Bi Directional Diffuser (AA 30% Dn / 70% Up)

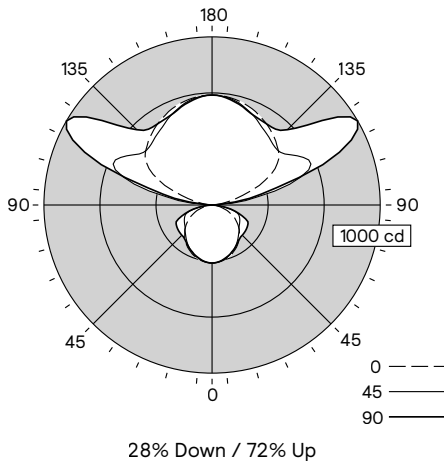
Click "PDF" or "IES" text to download

	Nominal			CRI 90+ 2700K					CRI 90+ 3000K					CRI 90+ 3500K					CRI 90+ 4000K					CRI 90+ 5000K					CRI 90+ 6500K					
	Total Flux ⁶ lm/4ft	Distribution % Ratio & Flux (lm/4ft) ⁶	Input Power Watts (W/4ft) ³	Flux (lm/4ft) ¹	Efficacy (LPW) ¹	UGR ²	Photometry Report ¹	IES File ⁴	Flux (lm/4ft) ¹	Efficacy (LPW) ¹	UGR ²	Photometry Report ¹	IES File ⁴	Flux (lm/4ft) ¹	Efficacy (LPW) ¹	UGR ²	Photometry Report ¹	IES File ⁴	Flux (lm/4ft) ¹	Efficacy (LPW) ¹	UGR ²	Photometry Report ¹	IES File ⁴	Flux (lm/4ft) ¹	Efficacy (LPW) ¹	UGR ²	Photometry Report ¹	IES File ⁴	Flux (lm/4ft) ¹	Efficacy (LPW) ¹	UGR ²	Photometry Report ¹	IES File ⁴	
Tunable White ⁵	3000	30% Dn/ 70% Up	900lm Dn/ 2100lm Up	32	3,001	92	15	PDF	IES	3,001	93	15	PDF	-	3,001	95	15	PDF	-	3,001	96	15	PDF	-	3,001	98	15	PDF	-	3,001	98	15	PDF	-
	6000	30% Dn/ 70% Up	1800lm Dn/ 4200lm Up	56	5,652	102	17	PDF	IES	5,823	105	17	PDF	IES	5,999	108	17	PDF	IES	6,039	108	17	PDF	IES	6,016	108	17	PDF	IES	-	-	-	-	-
Static White ⁵	5000	30% Dn/ 70% Up	1500lm Dn/ 3500lm Up	46	4,716	103	16	PDF	IES	4,851	106	16	PDF	IES	4,994	110	16	PDF	IES	5,022	110	16	PDF	IES	5,006	110	16	PDF	IES	-	-	-	-	-
	4000	30% Dn/ 70% Up	1200lm Dn/ 2800lm Up	36	3,788	105	15	PDF	IES	3,879	108	16	PDF	IES	3,991	111	16	PDF	IES	4,012	111	16	PDF	IES	4,001	111	16	PDF	IES	-	-	-	-	-
	3000	30% Dn/ 70% Up	900lm Dn/ 2100lm Up	27	2,864	107	15	PDF	IES	2,914	109	15	PDF	IES	2,995	112	15	PDF	IES	3,012	113	15	PDF	IES	3,006	113	15	PDF	IES	-	-	-	-	-
	2000	30% Dn/ 70% Up	600lm Dn/ 1400lm Up	18	1,919	110	13	PDF	IES	1,945	111	13	PDF	IES	2,001	114	13	PDF	IES	2,006	115	13	PDF	IES	2,004	115	13	PDF	IES	-	-	-	-	-
	1000	30% Dn/ 70% Up	300lm Dn/ 700lm Up	9	941	105	11	PDF	IES	978	109	11	PDF	IES	1,007	112	11	PDF	IES	997	111	11	PDF	IES	999	111	11	PDF	IES	-	-	-	-	-

1. 4ft Luminaire photometry has been conducted in accordance with IES LM-79-08. IES files can be downloaded by clicking the links in the table above, or online at www.ledalite.com. Luminaires with finishes other than standard white may result in a drop in flux and efficacy.
2. Unified Glare Ratio (UGR) is calculated in accordance with CIE 117-1995. Reference conditions of 4Hx8Hx1H and reflectances of 70/50/20% have been applied using the procedure described in CIE 190-2010.
3. Input power stated at 3500K for a 4ft luminaire.

4. IES files can be downloaded by clicking the links in the table above, or online at www.ledalite.com. TruVue luminaire IES files are provided as 4ft sections. Note, Tunable White IES files provided at 2700K.
5. Tunable White, stated with Advance FlexTune SR driver & Interact scalable wireless sensor; Static White stated with Advance Xitanium 0-10V driver, data may vary with other drivers.
6. Photometry scaling factors: 4ft Luminaire = 1; 6ft Luminaire = 1.5; 8ft Luminaire = 2

Acrylic Bi Directional Diffuser (AA 30% Dn / 70% Up) Spacing Criteria: 1.25/1.23



Candela plot shown is for CRI 90+ 3500K, 4000lm/4ft configuration.

TruVue Suspended

Photometry

TruVue Suspended (TV06) D/I – Acrylic Bi Directional Diffuser (AD 50% Dn / 50% Up)

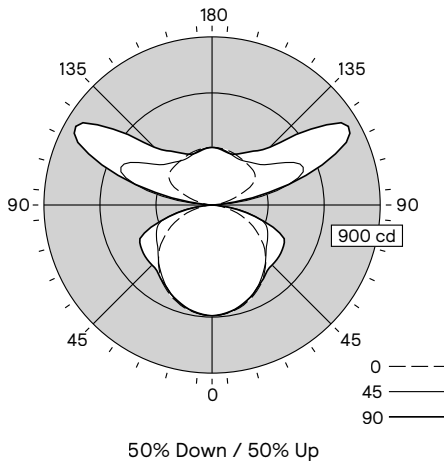
Click "PDF" or "IES" text to download

	Nominal			CRI 90+ 2700K					CRI 90+ 3000K					CRI 90+ 3500K					CRI 90+ 4000K					CRI 90+ 5000K					CRI 90+ 6500K				
	Total Flux ¹⁶ lm/4ft	Distribution % Ratio & Flux (lm/4ft) ⁶	Input Power Watts (W/4ft) ³	Flux (lm/4ft) ¹	Efficacy (LPW) ¹	UGR ²	Photometry Report ¹	IES File ⁴	Flux (lm/4ft) ¹	Efficacy (LPW) ¹	UGR ²	Photometry Report ¹	IES File ⁴	Flux (lm/4ft) ¹	Efficacy (LPW) ¹	UGR ²	Photometry Report ¹	IES File ⁴	Flux (lm/4ft) ¹	Efficacy (LPW) ¹	UGR ²	Photometry Report ¹	IES File ⁴	Flux (lm/4ft) ¹	Efficacy (LPW) ¹	UGR ²	Photometry Report ¹	IES File ⁴	Flux (lm/4ft) ¹	Efficacy (LPW) ¹	UGR ²	Photometry Report ¹	IES File ⁴
Tunable White ⁵	4000	50% Dn/ 50% Up 2000lm Dn/ 2000lm Up	37	4,005	105	20	PDF	IES	4,005	106	20	PDF	-	4,005	108	20	PDF	-	4,005	109	20	PDF	-	4,005	112	20	PDF	-	4,005	112	20	PDF	-
	6000	50% Dn/ 50% Up 3000lm Dn/ 3000lm Up	47	5,655	120	21	PDF	IES	5,820	123	21	PDF	IES	5,993	127	21	PDF	IES	6,027	127	21	PDF	IES	6,006	127	21	PDF	IES	-	-	-	-	-
Static White ⁵	5000	50% Dn/ 50% Up 2500lm Dn/ 2500lm Up	39	4,738	121	21	PDF	IES	4,861	124	21	PDF	IES	5,002	128	21	PDF	IES	5,029	128	21	PDF	IES	5,014	128	21	PDF	IES	-	-	-	-	-
	4000	50% Dn/ 50% Up 2000lm Dn/ 2000lm Up	31	3,819	124	20	PDF	IES	3,897	126	20	PDF	IES	4,007	130	20	PDF	IES	4,029	130	20	PDF	IES	4,019	130	20	PDF	IES	-	-	-	-	-
	3000	50% Dn/ 50% Up 1500lm Dn/ 1500lm Up	23	2,871	125	19	PDF	IES	2,914	127	19	PDF	IES	2,994	131	19	PDF	IES	3,010	131	19	PDF	IES	3,005	131	19	PDF	IES	-	-	-	-	-
	2000	50% Dn/ 50% Up 1000lm Dn/ 1000lm Up	15	1,925	128	17	PDF	IES	1,953	129	17	PDF	IES	2,000	133	18	PDF	IES	2,005	133	18	PDF	IES	2,011	133	18	PDF	IES	-	-	-	-	-
	1000	50% Dn/ 50% Up 500lm Dn/ 500lm Up	8	913	119	15	PDF	IES	962	125	15	PDF	IES	992	129	15	PDF	IES	975	127	15	PDF	IES	979	127	15	PDF	IES	-	-	-	-	-

1. 4ft Luminaire photometry has been conducted in accordance with IES LM-79-08. IES files can be downloaded by clicking the links in the table above, or online at www.ledalite.com. Luminaires with finishes other than standard white may result in a drop in flux and efficacy.
2. Unified Glare Ratio (UGR) is calculated in accordance with CIE 117-1995. Reference conditions of 4Hx8Hx1H and reflectances of 70/50/20% have been applied using the procedure described in CIE 190-2010.
3. Input power stated at 3500K for a 4ft luminaire.

4. IES files can be downloaded by clicking the links in the table above, or online at www.ledalite.com. TruVue luminaire IES files are provided as 4ft sections. Note, Tunable White IES files provided at 2700K.
5. Tunable White, stated with Advance FlexTune SR driver & Interact scalable wireless sensor; Static White stated with Advance Xitanium 0-10V driver, data may vary with other drivers.
6. Photometry scaling factors: 4ft Luminaire = 1; 6ft Luminaire = 1.5; 8ft Luminaire = 2

Acrylic Bi Directional Diffuser (AD 50% Dn / 50% Up) Spacing Criteria: 1.27/1.26



Candela plot shown is for CRI 90+ 3500K, 4000lm/4ft configuration.

TruVue Suspended

Photometry

TruVue Suspended (TV06) Semi-Direct - Acrylic Bi Directional Diffuser (AG 75% Down / 25% Up)

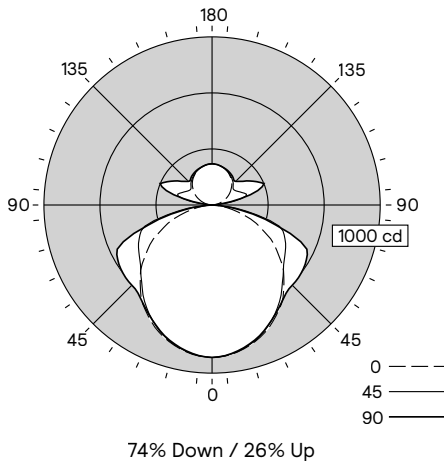
Click "PDF" or "IES" text to download

	Nominal			CRI 90+ 2700K					CRI 90+ 3000K					CRI 90+ 3500K					CRI 90+ 4000K					CRI 90+ 5000K					CRI 90+ 6500K				
	Total Flux ⁶ lm/4ft	Distribution % Ratio & Flux (lm/4ft) ⁶	Input Power Watts (W/4ft) ³	Flux (lm/4ft) ¹	Efficacy (LPW) ¹	UGR ²	Photometry Report ¹	IES File ⁴	Flux (lm/4ft) ¹	Efficacy (LPW) ¹	UGR ²	Photometry Report ¹	IES File ⁴	Flux (lm/4ft) ¹	Efficacy (LPW) ¹	UGR ²	Photometry Report ¹	IES File ⁴	Flux (lm/4ft) ¹	Efficacy (LPW) ¹	UGR ²	Photometry Report ¹	IES File ⁴	Flux (lm/4ft) ¹	Efficacy (LPW) ¹	UGR ²	Photometry Report ¹	IES File ⁴	Flux (lm/4ft) ¹	Efficacy (LPW) ¹	UGR ²	Photometry Report ¹	IES File ⁴
Tunable White⁵	3000	75% Dn/25% Up 2250lm Dn / 750lm Up	31	3,000	95	22	PDF	IES	3,000	97	22	PDF	-	3,000	98	22	PDF	-	3,000	99	22	PDF	-	3,000	101	22	PDF	-	3,000	101	22	PDF	-
Static White⁵	6000	75% Dn/25% Up 4500lm Dn / 1500lm Up	54	5,654	105	24	PDF	IES	5,825	109	24	PDF	IES	6,001	112	25	PDF	IES	6,038	112	25	PDF	IES	6,016	112	25	PDF	IES	-	-	-	-	-
	5000	75% Dn/25% Up 3750lm Dn / 1250lm Up	44	4,715	107	24	PDF	IES	4,847	110	24	PDF	IES	4,990	113	24	PDF	IES	5,018	114	24	PDF	IES	5,001	114	24	PDF	IES	-	-	-	-	-
	4000	75% Dn/25% Up 3000lm Dn / 1000lm Up	35	3,801	109	23	PDF	IES	3,889	111	23	PDF	IES	4,000	115	23	PDF	IES	4,022	115	23	PDF	IES	4,011	115	23	PDF	IES	-	-	-	-	-
	3000	75% Dn/25% Up 2250lm Dn / 750lm Up	26	2,875	111	22	PDF	IES	2,923	113	22	PDF	IES	3,005	116	22	PDF	IES	3,022	117	22	PDF	IES	3,016	116	22	PDF	IES	-	-	-	-	-
	2000	75% Dn/25% Up 1500lm Dn / 500lm Up	17	1,930	114	21	PDF	IES	1,956	115	21	PDF	IES	2,010	118	21	PDF	IES	2,017	119	21	PDF	IES	2,016	119	21	PDF	IES	-	-	-	-	-
	1000	75% Dn/25% Up 750lm Dn / 250lm Up	9	936	108	18	PDF	IES	975	112	18	PDF	IES	1,004	115	18	PDF	IES	993	114	18	PDF	IES	995	114	18	PDF	IES	-	-	-	-	-

1. 4ft Luminaire photometry has been conducted in accordance with IES LM-79-08. IES files can be downloaded by clicking the links in the table above, or online at www.ledalite.com. Luminaires with finishes other than standard white may result in a drop in flux and efficacy.
2. Unified Glare Ratio (UGR) is calculated in accordance with CIE 117-1995. Reference conditions of 4Hx8Hx1H and reflectances of 70/50/20% have been applied using the procedure described in CIE 190-2010.
3. Input power stated at 3500K for a 4ft luminaire.

4. IES files can be downloaded by clicking the links in the table above, or online at www.ledalite.com. TruVue luminaire IES files are provided as 4ft sections. Note, Tunable White IES files provided at 2700K.
5. Tunable White, stated with Advance FlexTune SR driver & Interact scalable wireless sensor; Static White stated with Advance Xitanium 0-10V driver, data may vary with other drivers.
6. Photometry scaling factors: 4ft Luminaire = 1; 6ft Luminaire = 1.5; 8ft Luminaire = 2

Acrylic Bi Directional Diffuser (AG 75% Down / 25% Up) Spacing Criteria: 1.25/1.24



Candela plot shown is for CRI 90+ 3500K, 4000lm/4ft configuration.