

System Overview

These instructions review how to install TruVue Suspended fixtures. TruVue modules can be installed as individual standalone units, or they can be joined together to create a continuous run. Please refer to layout drawings supplied by Ledalite in conjunction with these installation instructions. The graphic below shows the components required to install a typical run or a standalone fixture.

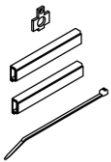


IMPORTANT: Read **ALL** instructions including luminaire/sensor wiring, mechanical details and warnings **before** beginning installation. Scan or click the QR codes on page 2.

6ft Suspended Module Shown

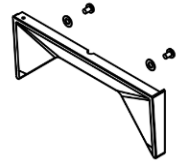
Power Drop Kit - TVPOWERASSY

- Cord retention tab (x1)
- Wire channel (x2)
- Cable tie (x1)



Open Endcap Kit - TVEA0A_*

- Open sculpted endcap (x1)
- #8 lock washers (x2)
- #8-32 X 1/4" phillips screws (x2)



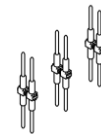
Joint Kit Non-Power - TVJNNAN

- #8-32 nuts (x2)
- #8-32 X 1/2" phillips screws (x2)

Joint Kit Power - TVJPNAN

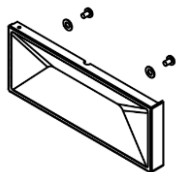
- includes electrical connection pins (x3)

Note: 1 kit required per joint



Closed Endcap Kit - TVEBCA_*

- Closed sculpted endcap (x1)
- #8 lock washers (x2)
- #8-32 X 1/4" phillips screws (x2)



Power Cord Clips

- 4 Conductor (x4) - **POWERCLIP4**
- 6 Conductor (x4) - **POWERCLIP6**



***Note:** Open and closed endcap kits shown. Typically only one type will be used. Quantity 2 per run.

! ATTENTION: Install in accordance with local and national building and electrical codes.



System Overview

This installation sheet provides instructions for installing TruVue suspended luminaires. To complete the installation, refer to additional installation documents listed below.

Ledelite Mounting Installation Instructions: Scan or click QR code and follow installation steps for mounting selected.

Ledelite Controls Design Guide: Scan or click QR code and follow installation guide for sensors. (if required)

Ledelite Remote Driver Box Schematic Diagrams: Scan or click QR code and follow wiring schematic number on driver box label.

 **Ledelite Mounting
Installation Instructions**



Scan or click QR Code

 **Ledelite Controls
Design Guide**



Scan or click QR Code

 **Ledelite Remote DriverBox
Schematic Diagrams**



Scan or click QR Code



Tools required: #2 Phillips screwdriver, #2 Robertson screwdriver, 5/16" nut driver, needle nose pliers, wire stripper, cable cutter.

 **ATTENTION: Install in accordance with local and national building and electrical codes.**



Warning! Shock Hazard!

IMPORTANT:
Disconnect or turn off power before attempting any installation, service or maintenance.



Warning! Shock Hazard!

IMPORTANT:
Fixture must be connected to building ground via the provided ground wire before re-connecting to mains power supply.

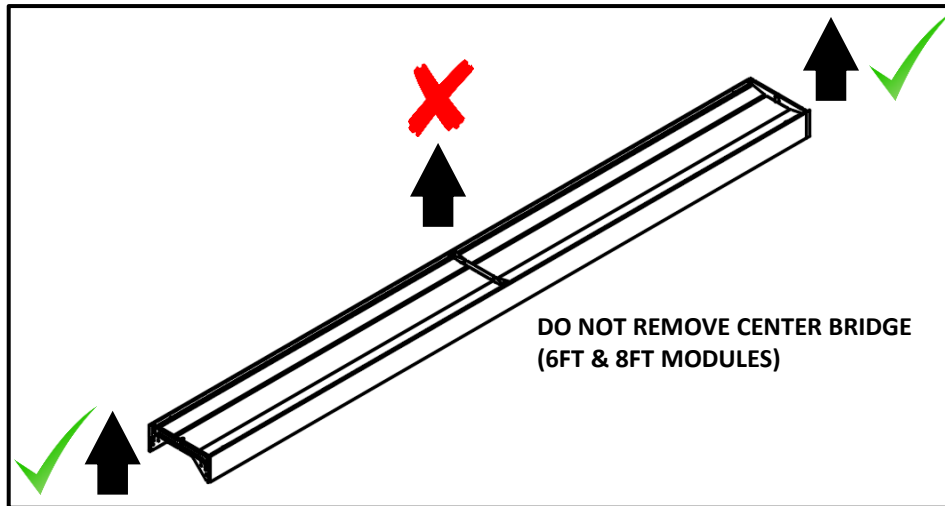


Warning! Shock Hazard!

DO NOT POWER UP ROW UNTIL ALL FIXTURES ARE INSTALLED AND CONNECTED.



DO NOT LIFT FROM CENTER BRIDGE



This equipment has been tested and found to comply with the limits for a Class A digital device, pursuant to part 15 of the FCC Rules. These limits are designed to provide reasonable protection against harmful interference when the equipment is operated in a commercial environment. This equipment generates, uses, and can radiate radio frequency energy and, if not installed and used in accordance with the instruction manual, may cause harmful interference to radio communications. Operation of this equipment in a residential area is likely to cause harmful interference in which case the user will be required to correct the interference at his own expense.



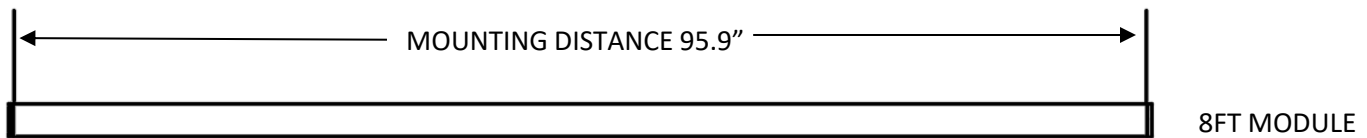
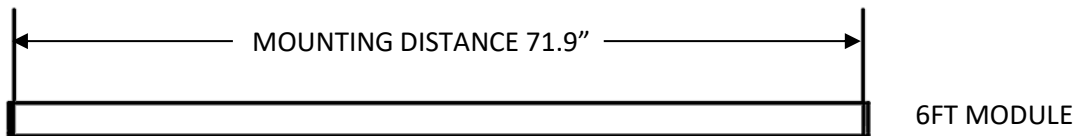
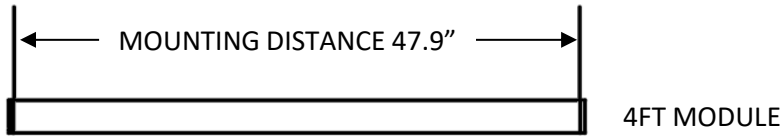
Installation Notes

Arrange boxed fixtures on floor in specified mounting locations, based on supplied layout drawings. **MAKE SURE ALL LUMINAIRES AND JOINT KITS ARE ACCOUNTED FOR BEFORE BEGINNING INSTALLATION. KEEP LUMINAIRE IN THE BOX UNTIL READY TO BE INSTALLED.** Remove fixtures from boxes.

! ATTENTION: Install in accordance with local and national building and electrical codes.

MOUNT LOCATIONS

MODULE LENGTHS



DriverBox WIRING

Refer to DriverBox schematic diagram document for maximum installation spacing between luminaire and driver box.

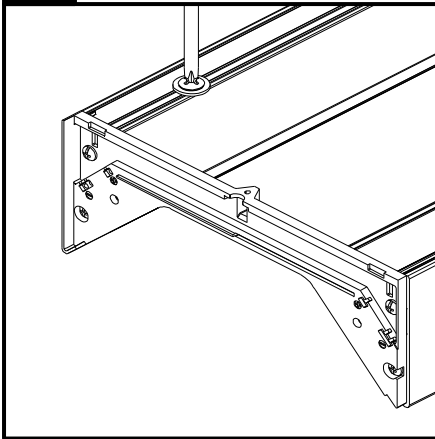
Scan or click QR code on page 2.

INSTALLATION STEPS OVERVIEW

- INSTALL DRIVER PODS IN CEILING.
- INSTALL CEILING MOUNTS.
- REMOVE LENSES AND SET ASIDE FOR LATER.
- INSTALL SUSPENSION CABLES IN LUMINAIRES.
- INSTALL AND LEVEL FIRST LUMINAIRE.
- INSTALL POWER CORD IN LUMINAIRE.
- FEED POWER CORD THROUGH CANOPIES/CEILING.
- FOR CONTINUOUS ROWS INSTALL JOINT KIT(S) AS PER LAYOUT DRAWINGS.
- INSTALL ENDCAPS AS REQUIRED.
- COMPLETE DRIVER BOX WIRING.

! ATTENTION: Install in accordance with local and national building and electrical codes.

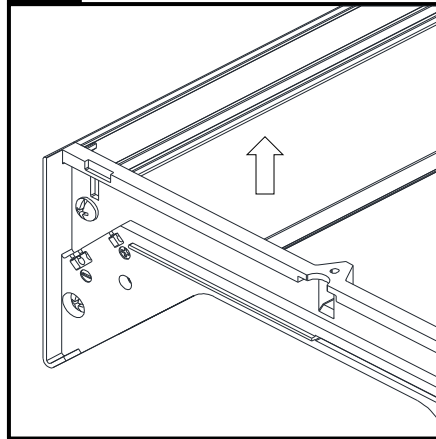
01 Remove Lens



Remove #8x3/8" screws and 9/16" diameter washers securing lens in position.

Save for later use.

02 Remove Lens



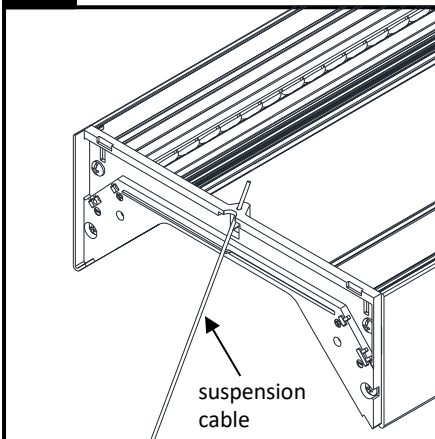
Gently pull lens up to remove from luminaire. Save for later re-installation. Keep lenses with original luminaire.

03 Install Ceiling Components

REFER TO LUMINAIRE MOUNTING DIMENSIONS ON PAGE 4

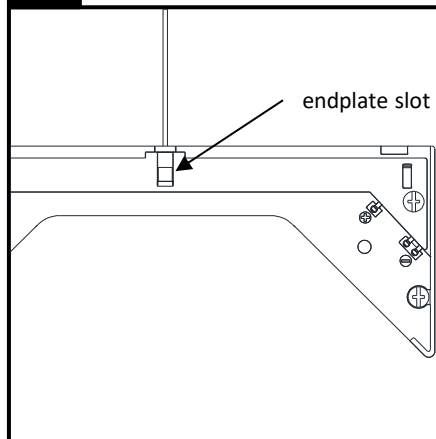
SCAN OR CLICK QR CODE ON PAGE 2 FOR CEILING MOUNT INSTALLATION INSTRUCTIONS

04 Suspension Cable



Install suspension cable through endplate hole as shown.

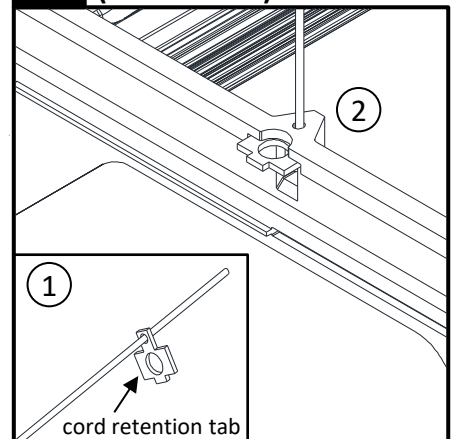
04 Suspension Cable



Ensure cable end is secure inside luminaire endplate slot.

Refer to step 5 for suspension cable at a power feed location.

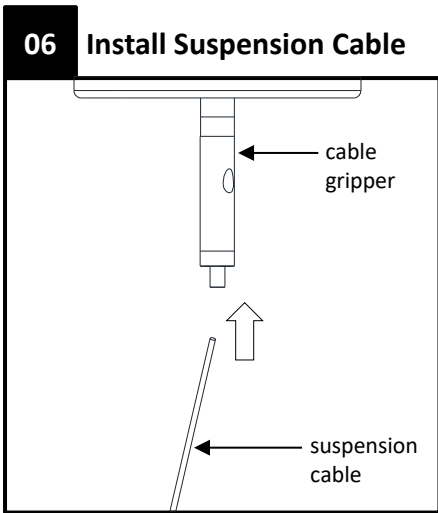
05 Suspension Cable (Power Feed)



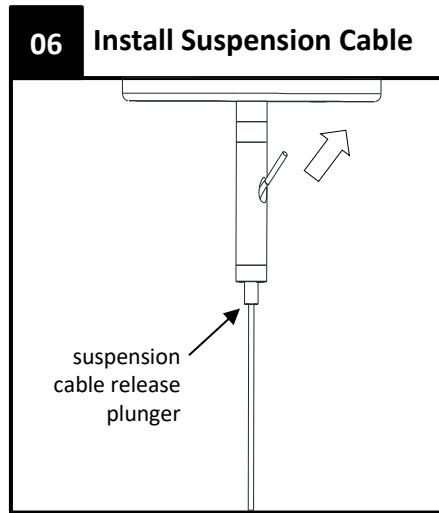
Step 1: Slide open end of suspension cable through power cord retention tab.

Step 2: Install cable and tab through endplate hole as shown. Ensure cable end is secure inside luminaire endplate slot.

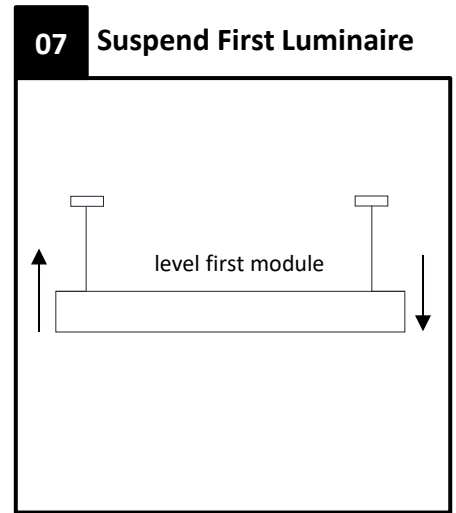
! **ATTENTION: Install in accordance with local and national building and electrical codes.**



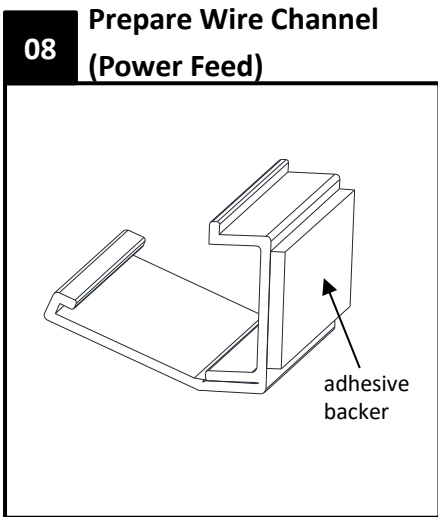
Suspend first luminaire by inserting suspension cable in ceiling mount cable gripper.



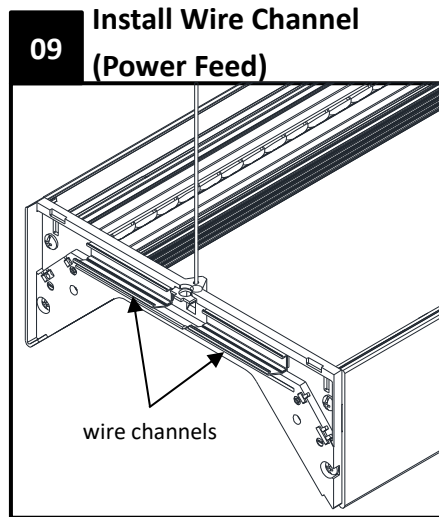
Ensure cable exits side of cable gripper.
DO NOT TRIM SUSPENSION CABLE UNTIL FINAL INSTALLATION STEP.



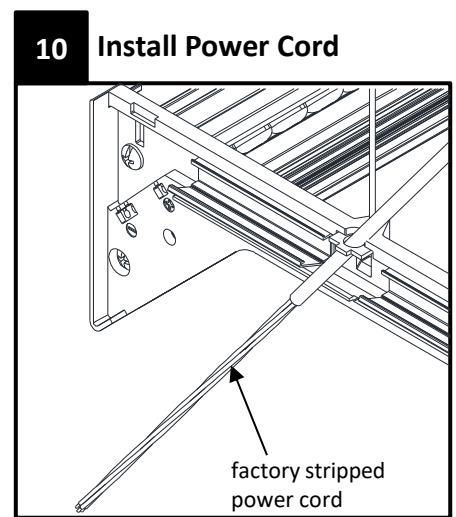
IMPORTANT: FOR THIS STEP, SUPPORT LUMINAIRE WEIGHT AT BOTH ENDS.
Level first luminaire end to end at specified height above finished floor.
To raise luminaire, push suspension cable through cable gripper.
To lower luminaire, gently push release plunger shown in step 6.



Prepare wire channel for installation by bending 90 degrees as shown. Before installation, peel blue adhesive backer.

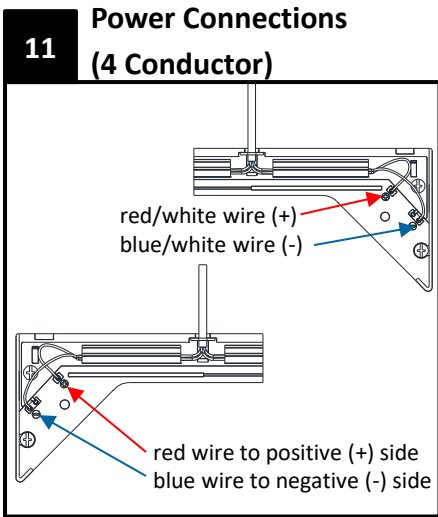


Position and press fit both wire channels inside luminaire endplate as shown. To allow room to close, install bottom edge of wire cover on bottom lip of fixture endplate.

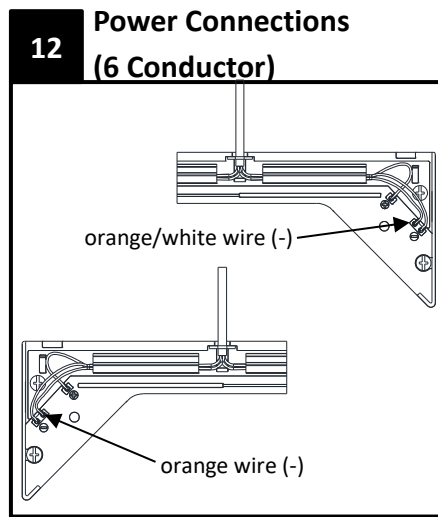


Feed factory pre-stripped plenum rated power cord through retention tab.

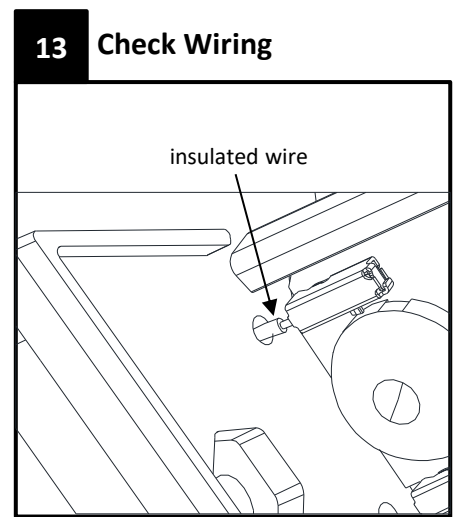
! ATTENTION: Install in accordance with local and national building and electrical codes.



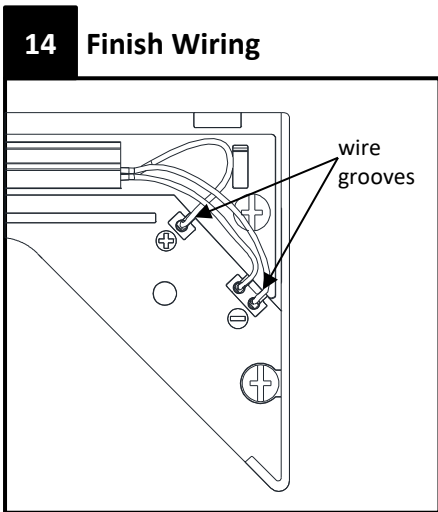
Insert red wire in top (+) slot in endplate and engage into LED board connector on other side. Insert blue wire in bottom (-) slot and engage into LED board connector on other side. Repeat wire connection on other side with red/white and blue/white wires.



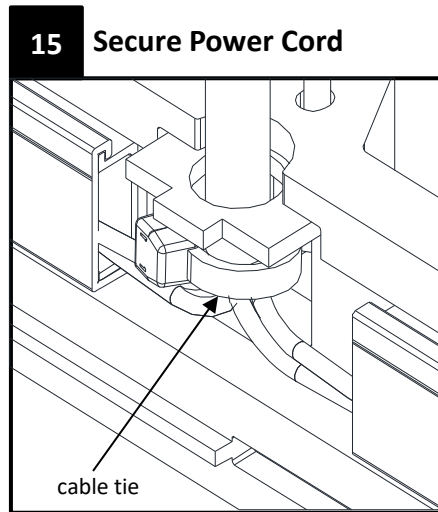
For 6 conductor power cord, follow step 11 and also install orange wire and orange/white wire in open bottom (-) slot as shown.



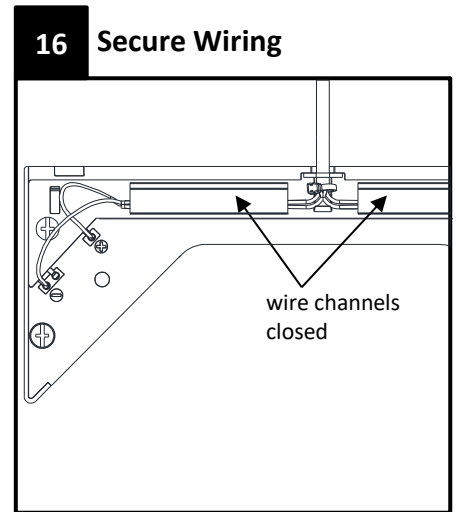
IMPORTANT: Look inside fixture cavity on both sides and ensure power cord wires are fully inserted in LED connectors. **MAKE SURE NO BARE COPPER WIRES ARE VISIBLE OUTSIDE CONNECTORS. CHECK ALL CONNECTORS.**



IMPORTANT: Gently push each wire into grooves in endplate as shown. This will ensure no wires are cut/pinched in final installation.



Install supplied cable tie below retention tab as shown. Fully tighten and trim excess.

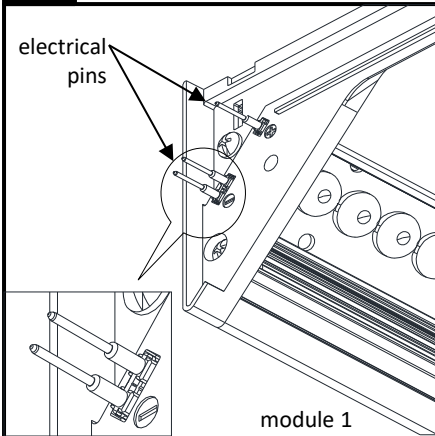


Close wire channels by rotating lower leg toward the top. Ensure tab snaps around top edge and parts sit flat inside endplate as shown.

! **ATTENTION: Install in accordance with local and national building and electrical codes.**

IMPORTANT: Refer to layout drawing for location of non-power and power joint kits.

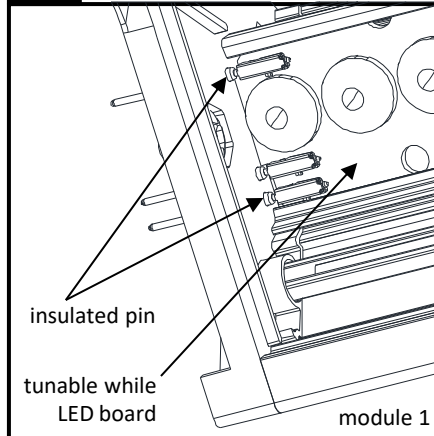
17 Luminaire Joining With Power



(If power connection is not required skip to step 21)

Always insert double pin in bottom (-) slot on both sides. Twist double pin plastic housing to separate into single pin. Insert single pin in top positive (+) slot. Ensure pin housing sits inside endplate pocket and is fully inserted in first module.

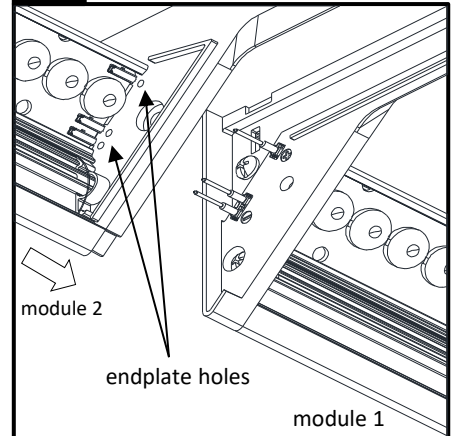
18 Check Electrical Connection



IMPORTANT: Check inside fixture cavity and ensure electrical pins are fully inserted in LED connectors. **MAKE SURE NO BARE PINS ARE VISIBLE OUTSIDE CONNECTORS. CHECK ALL PINS/CONNECTORS.**

NOTE: Tunable white LED board shown has 3 connectors at each end. All other LED boards have only 2 connectors at each end.

19 Luminaire Joining With Power

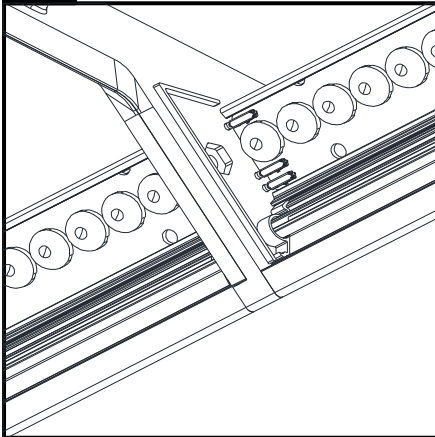


(If not required skip to step 21)

Tip: Have a second person assist with joining for fastest installation.

Align second luminaire to first luminaire supporting both sections from below in open center area. Gently slide the two modules together, aligning electrical pins in first module with endplate holes in the second module. **DO NOT FORCE HOUSINGS TOGETHER. DO NOT BEND PINS.**

20 Check Electrical Connection

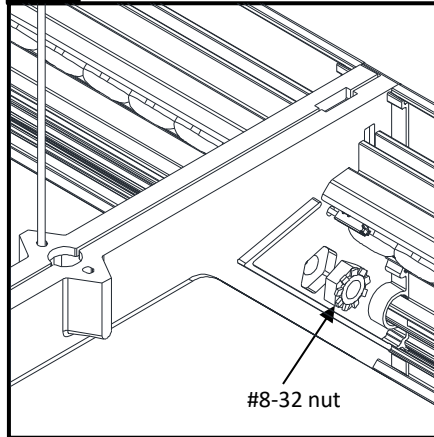


IMPORTANT: Check inside fixture cavity on both sides and ensure electrical pins are fully inserted in LED connectors.

MAKE SURE NO BARE PINS ARE VISIBLE OUTSIDE CONNECTORS.

CHECK ALL PINS/CONNECTORS.

21 Luminaire Joining

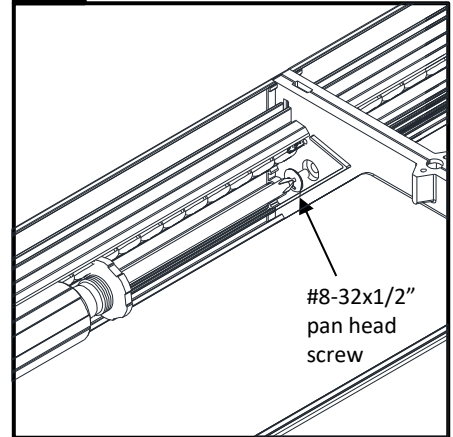


(If not required skip to step 23 for endcap installation)

Tip: Have a second person assist with joining for fastest installation.

Align second luminaire to first luminaire supporting both sections from below in open center area. Hold #8X32 hex nut inside endplate cutout.

22 Luminaire Joining



(If not required skip to step 23 for endcap installation)

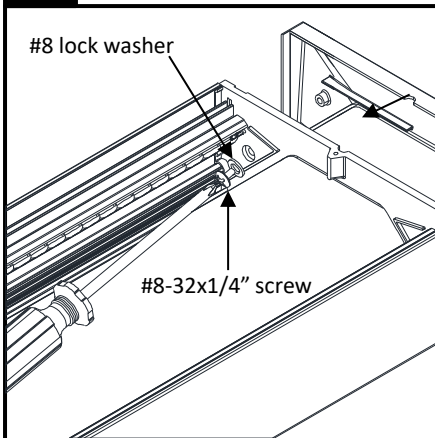
Tip: Use a magnetic tip Phillips screwdriver for easier hardware grip and retention.

Insert #8-32 screw in round hole in opposite side and start tightening. **DO NOT FULLY TIGHTEN.** Repeat bolt and nut on other side of housing. Gradually tighten each side equally by hand.

IMPORTANT: DO NOT OVERTIGHTEN. DO NOT USE POWER TOOLS.

! ATTENTION: Install in accordance with local and national building and electrical codes.

23 Endcap Installation

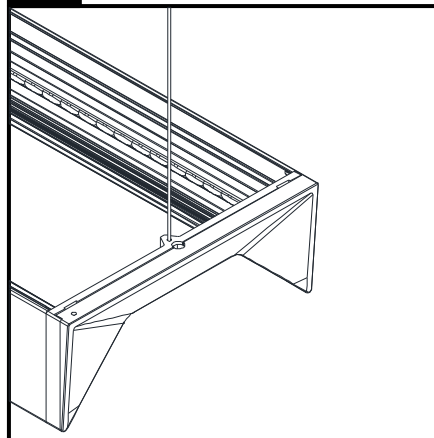


Use #8 screw and #8 lock washer provided in endcap kit to secure endcap from housing side.

Tip: Use a magnetic tip Phillips screwdriver for easier hardware grip and retention.

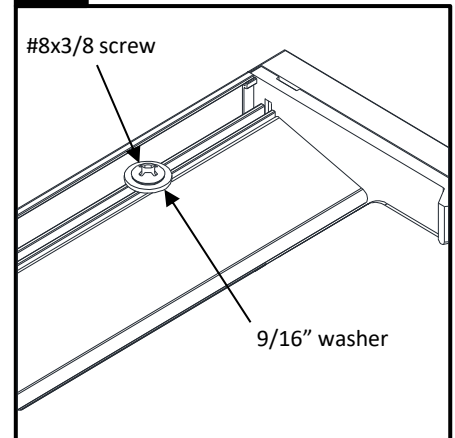
IMPORTANT: DO NOT OVERTIGHTEN. DO NOT USE POWER TOOLS.

24 Endcap Installation



Installed open sculpted endcap shown. Optional flat sculpted endcap can also be installed following the same steps.

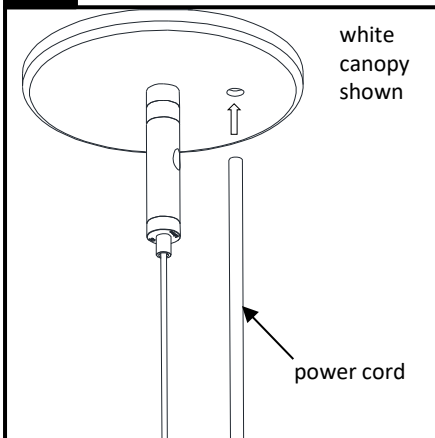
25 Re-Install/Secure lens



IMPORTANT:

Re-install lenses, #8 screws and 9/16" diameter washers removed in step 1. Make sure all lenses are reinstalled in original luminaires in the same position. Screws and washers must be installed approximately 2 inches from each end.

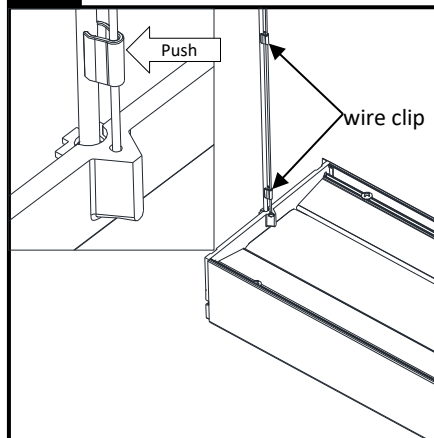
26 Power Cord Installation



Refer to ceiling mount installation instructions for power cord installation.

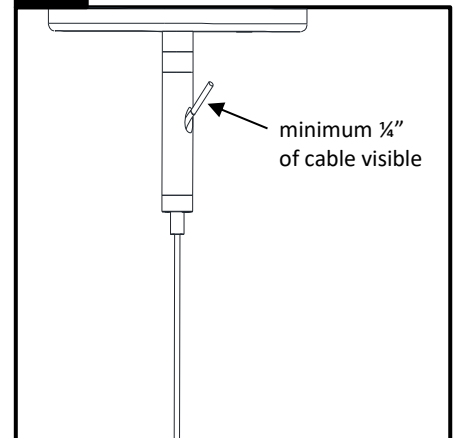
Refer to driver box installation instructions for next steps.

27 Wire Clip Installation



Straighten and align power cord with suspension cable. Install supplied clear wire clips every 12-15 inches for a clean appearance.

28 Finish Installation



After installation is complete, trim excess suspension cable at ceiling level.

IMPORTANT: Leave a minimum 1/4" of cable visible outside gripper.

Tip: To prevent cable from fraying, apply a small amount of super glue to cut end.



ATTENTION: Install in accordance with local and national building and electrical codes.

INSTALLATION

WARNINGS AND INSTRUCTIONS FOR LUMINAIRES

IMPORTANT: THIS PRODUCT MUST BE INSTALLED IN ACCORDANCE WITH THE APPLICABLE INSTALLATION CODE BY A PERSON FAMILIAR WITH THE CONSTRUCTION AND OPERATION OF THE PRODUCT AND THE HAZARDS INVOLVED.

FOR YOUR PROTECTION, YOU MUST CAREFULLY READ ALL WARNINGS AND INSTRUCTIONS IN THEIR ENTIRETY PRIOR TO INSTALLATION, OPERATION, SERVICE OR MAINTENANCE. FAILURE TO DO SO CAN RESULT IN DEATH, PERSONAL INJURY AND PROPERTY DAMAGE. If you do not understand these warnings and instructions, or if additional information is desired, please contact the Customer Care Call Center at 800-555-0050.

• **Installation, service and maintenance of luminaires must be performed by a qualified professional and in accordance with all federal, state and local laws, regulations and electrical codes. This professional should be familiar with the construction and operation of this product and any hazards involved. If not qualified, do not attempt installation, service or maintenance.**

• **To reduce the risk of death, personal injury or property damage from fire, electric shock, falling parts, cuts, abrasions and other hazards, please read all warnings and instructions included with the luminaire, on the luminaire's packaging and affixed to the luminaire itself.**

• **Maintenance of the luminaires should be performed by person(s) familiar with the luminaire's construction and operation and any hazards involved.**



WARNING

RISK OF FIRE, ELECTRIC SHOCK OR PERSONAL INJURY

- Disconnect or turn off power before attempting any installation, service or maintenance.
- Verify that supply voltage is correct by referencing the luminaire label information.
- Make all electrical and ground connections in accordance with the National Electrical Code (NEC) and any other applicable laws, regulations or codes.
- All wiring connections should be capped with UL-approved wire connectors.



WARNING

RISK OF PERSONAL INJURY

- Wear gloves and safety glasses at all times when removing luminaire from carton, installing, servicing or performing maintenance.
- Avoid direct eye exposure to the light source while it is on.



WARNING

RISK OF FIRE, ELECTRIC SHOCK OR PERSONAL INJURY

- Allow LED/lamp & lens to cool before handling.
- Do not touch enclosure or light source.
- Do not exceed maximum wattage marked on luminaire label.
- Follow all manufacturer's warnings, recommendations, instructions and restrictions for driver type, burning position, mounting locations and replacement.



WARNING

RISK OF FIRE OR PERSONAL INJURY

- Keep combustible materials away from LED/lamp & lens.
- Do not operate in close proximity to persons, combustible materials or substances affected by heat or drying.



CAUTION

RISK OF PRODUCT DAMAGE

- Never connect luminaires and/or components under load with supply voltage turned on.
- Do not mount or support these luminaires in a manner that can cut the outer jacket or damage wire insulation.
- Do not restrict fixture ventilation. Allow for some volume of airspace around luminaire. Avoid covering luminaire with insulation, foam or other material that will prevent convection or conduction cooling.
- Do not exceed luminaire maximum ambient temperature.
- Do not modify the luminaire.
- Only use luminaire in its intended application and location.
- LED products are polarity sensitive. Ensure proper polarity before installation.
- Electrostatic Discharge (ESD) can damage LED. Personal grounding equipment must be worn during all installation and servicing of the luminaire.
- Do not touch individual electrical components as this can cause ESD, shorten LED life, or impact LED performance.
- Some components inside the luminaire may not be serviceable. In the unlikely event your luminaire may require service, stop using it immediately and contact the Customer Care Call Center at 800-555-0050.
- Always read the luminaire's complete installation instructions prior to installation for any additional luminaire specific warnings.
- In the case of HID or Fluorescent luminaires, regular re-lamping is required to keep luminaire operating within safe limits
- **Do not install damaged product.** Handling and installing damaged products can potentially increase the risks mentioned. In case of damage and/or missing parts upon arrival of the luminaire, please contact the Customer Care Call Center at 800-555-0050.
- These instructions do not purport to cover all details or variations in equipment nor to provide every possible contingency to meet in connection with installation, operation or maintenance. Should further information be desired, or should particular problems arise which are not covered sufficiently for the purchaser's or owner's purposes, this matter should be referred to the Customer Care Call Center at 800-555-0050. Please see luminaire specific Installation and Maintenance Instruction for additional warnings or any applicable FCC or regulatory statements. Failure to follow any of these instructions could void luminaire warranties.

Luminaire Maintenance

- Regular luminaire maintenance programs are recommended.
- It is recommended to clean the outside of the luminaire and the refractor/lens.
- Frequency of cleaning will depend on ambient dirt level and minimum light output which is acceptable to user.
- If clean water is not sufficient for cleaning, use a neutral, synthetic, non-scratching and non-abrasive cleaning substance.
- Never use alkaline and/or acetous cleaning substances.
- Make sure that the cleaning substance is carefully removed by rinsing with lots of clean water.
- Signify recommends using a cleaning solution that has a PH between 5 and 8.
- Recycle: For information on how to recycle electronic products and components, please visit www.epa.gov.

442294653951 - REV B

