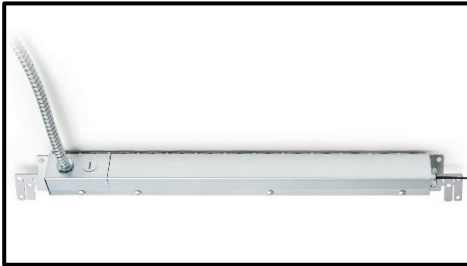




IMPORTANT: Read **ALL** instructions including luminaire/sensor wiring, mechanical details and warnings **before** beginning installation. Sensor wiring is found in the LEDALITE CONTROLS DESIGN GUIDE. Click or scan the QR code below.

System Overview

This Installation Sheet provides instructions for installing driver boxes in grid, drywall, and surface-mount applications, as well as for Sensor and Radio node installation.



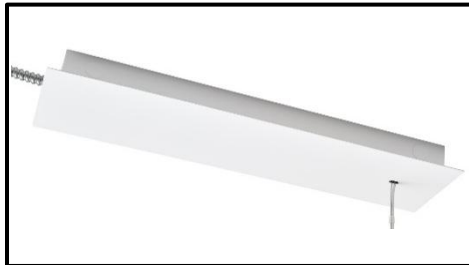
Single T-Grid Box



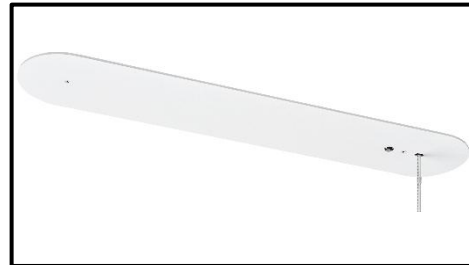
Dual T-Grid Box



Quad T-Grid Box



Surface Box



Drywall Box

External Reference Documents for Installation:

 Ledalite Controls Design Guide



Click or Scan QR Code

 Ledalite Remote DriverPod Schematic Diagrams



Click or Scan QR Code



Tools required -

#2 Phillips, #2 Robertson screwdriver, flathead screwdriver, needle nose pliers (optional) & metal snips (optional)

! ATTENTION: Install in accordance with local and national building and electrical codes.

Note: This equipment has been tested and found to comply with the limits for a Class A digital service, pursuant to Part 15 of the FCC Rules. These limits are designed to provide reasonable protection against harmful interference when the equipment is operated in a commercial environment. This equipment generates, uses, and can radiate radio frequency energy and, if not installed and used in accordance with the instruction manual, may cause harmful interference to radio communications. Operation of this equipment in a residential area is likely to cause harmful interference in which case the user will be required to correct the interference at his own expense.

CAN ICES (A) / NMB (A)



Warning! Shock Hazard!

IMPORTANT:

Disconnect or turn off power before attempting any installation, service or maintenance.



Warning! Shock Hazard!

IMPORTANT:

DriverBox must be connected to building ground via the provided ground wire before re-connecting to mains power supply.



Installation

Read all instructions including luminaire/sensor wiring AND mechanical details **before** beginning installation.

Beware of sharp edges.



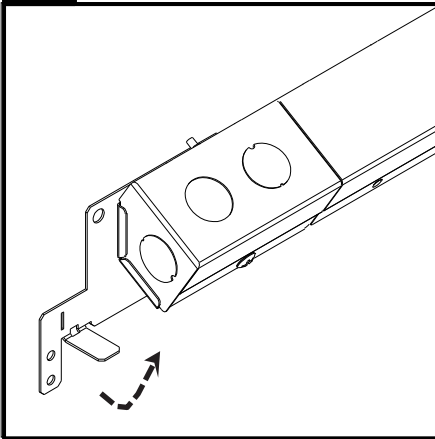
ATTENTION: Install in accordance with local and national building and electrical codes.

01	SINGLE T-GRID MOUNT INSTALL INSTRUCTIONS	PG. 04
02	DUAL T-GRID MOUNT INSTALL INSTRUCTIONS	PG. 05
03	QUAD T-GRID MOUNT INSTALL INSTRUCTIONS	PG. 06
04	SURFACE MOUNT INSTALL INSTRUCTIONS	PG. 07
05	DRYWALL MOUNT INSTALL INSTRUCTIONS	PG. 10
06	SURFACE MOUNTED SENSOR/RADIO NODES INSTALL INSTRUCTIONS	PG. 15
07	PLENUM MOUNTED SENSOR/RADIO NODES INSTALL INSTRUCTIONS	PG. 17

! **ATTENTION: Install in accordance with local and national building and electrical codes.**

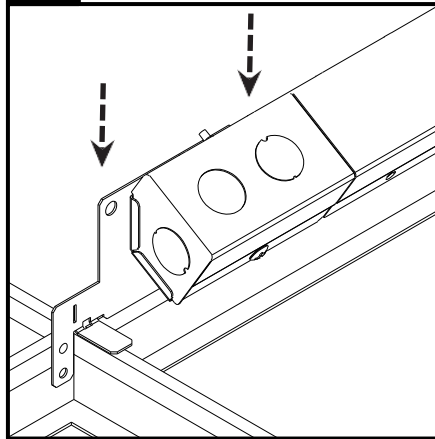
! DriverPod version G/C: This DriverBox is the power mount for ceiling type 2, 6-1, 6-2, 6-3

1 Bend tabs up



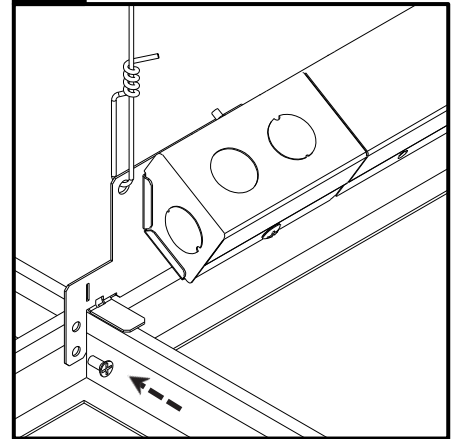
Bend the tabs upward to a 90-degree angle on both ends

2 Place DriverBox on T-grid



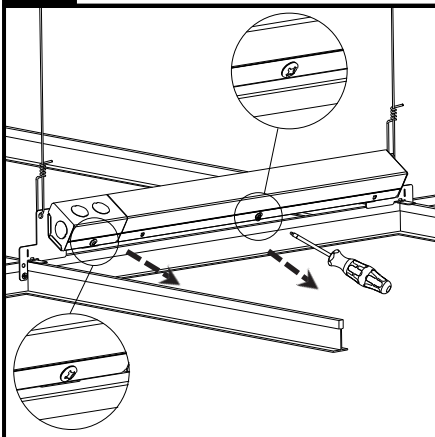
Place the DriverBox onto the T-grid, ensuring the bent tabs sit securely and stably on the T-bar.

3 Secure DriverBox & tie-off to structure



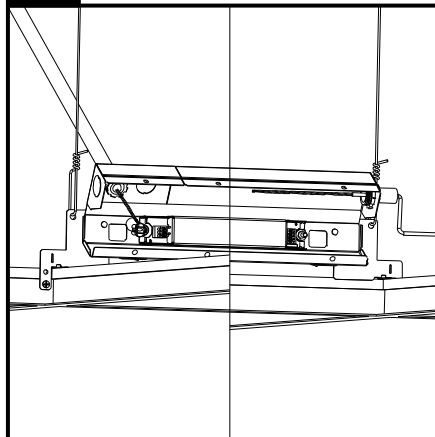
Secure DriverBox to T-Grid with self drilling #8x1/4" sheet metal screws (supplied by others)

4 Remove cover screws



Remove screws using a #2 Phillips OR #2 Robertson screwdriver to open BOTH access doors.

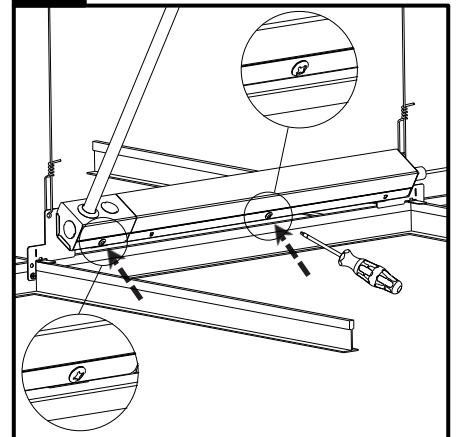
5 Standard electrical connections



Attach electrical conduit to the 7/8" opening in the smaller access door. Make electrical connections using wire nuts (supplied by others).

IMPORTANT NOTE: Reference **Ledelite Remote DriverPod Schematic Diagrams** document (see QR Code/Link on page 1 for wiring instructions and max DC cable lengths for your specific configuration).

6 Close DriverBox

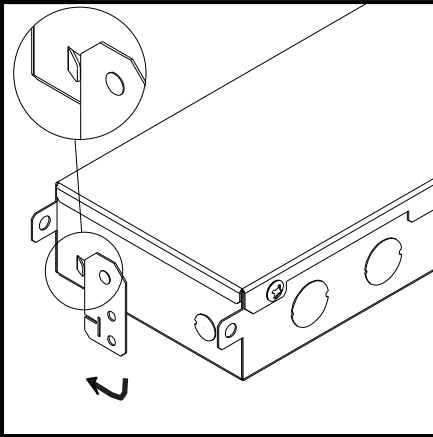


Close BOTH access doors and reinstall screws using a #2 Phillips OR #2 Robertson screwdriver.

! **ATTENTION:** Install in accordance with local and national building and electrical codes.

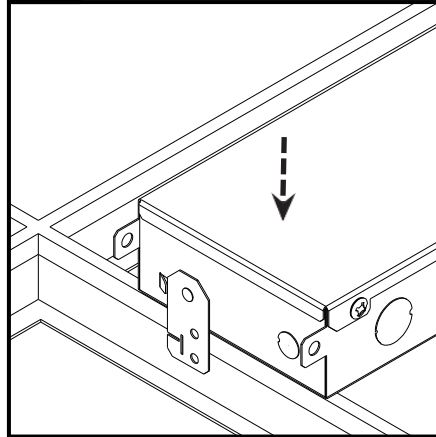
! DriverPod version G/C: This DriverBox is the power mount for ceiling type 2, 6-1, 6-2, 6-3

1 Rotate T-grid clips



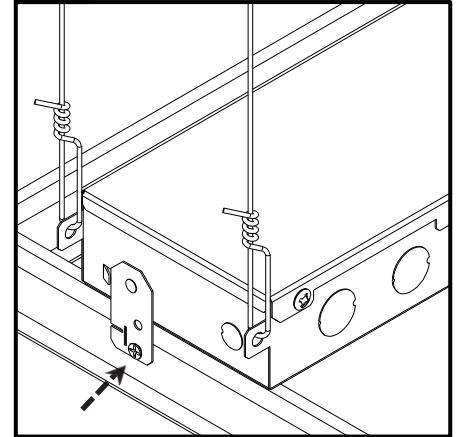
Rotate both T-grid clips 90 degrees until they make contact with the locking tab.

2 Place DriverBox on T-grid



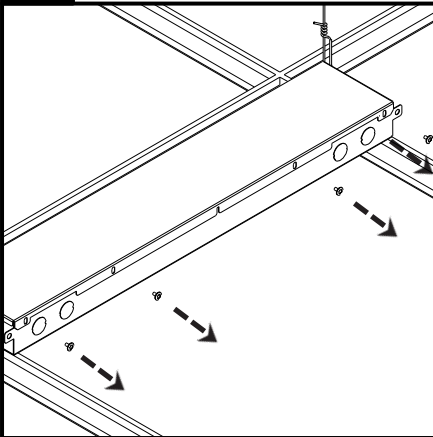
Place the DriverBox on top of the T-grid, ensuring the grid clips remain positioned on the outside of the T-bar.

3 Secure DriverBox & tie-off to structure



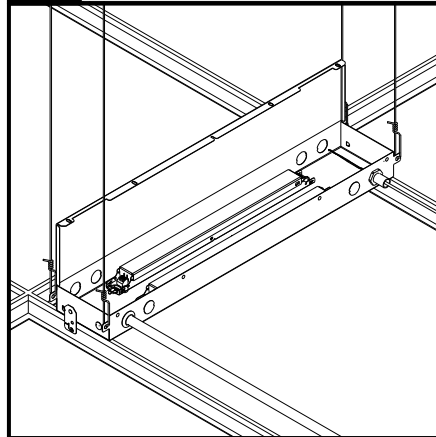
Secure DriverBox to T-Grid with self drilling #8x1/4" sheet metal screws (supplied by others)

4 Remove cover screws



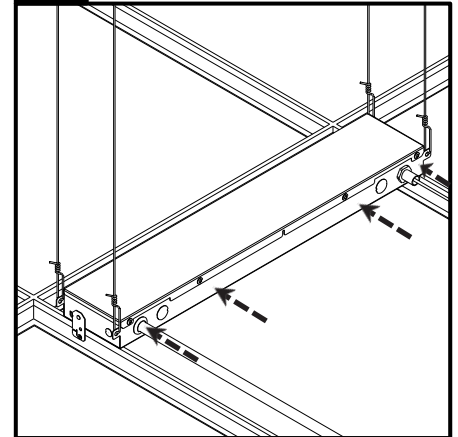
Remove screws using a #2 Phillips OR #2 Robertson screwdriver to open the cover.

5 Standard electrical connections



Determine power feed location. Remove 7/8" knockout in the DriverBox, attach electrical conduit and make electrical connections using wire nuts (both supplied by others). **IMPORTANT NOTE:** Reference Ledalite Remote DriverPod Schematic Diagrams document (see QR Code/Link on page 1 for wiring instructions and max DC cable lengths for your specific configuration.

6 Close DriverBox

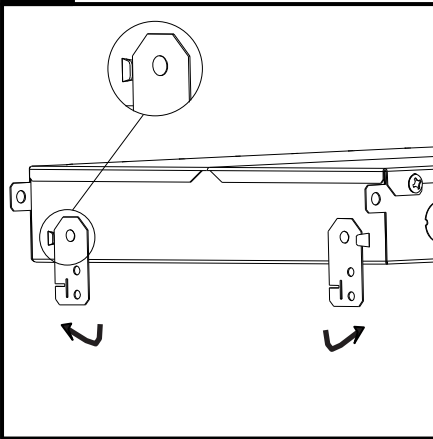


Close the cover and reinstall screws using a #2 Phillips OR #2 Robertson screwdriver.

! **ATTENTION:** Install in accordance with local and national building and electrical codes.

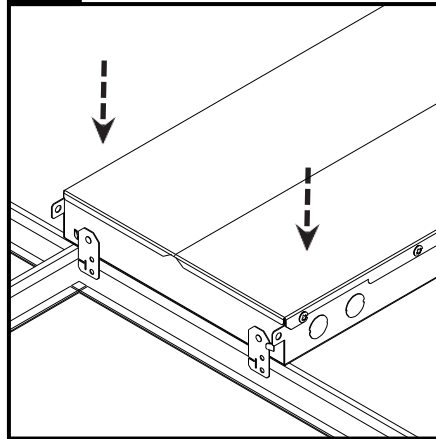
! DriverPod version G/C: This DriverBox is the power mount for ceiling type 2, 6-1, 6-2, 6-3

1 Rotate T-grid clips



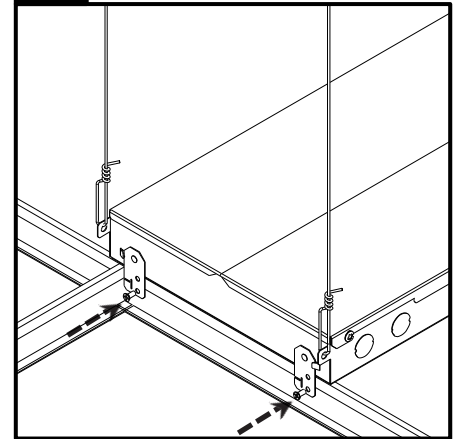
Rotate all 4 T-grid clips 90 degrees until they make contact with the locking tab.

2 Place DriverBox on grid



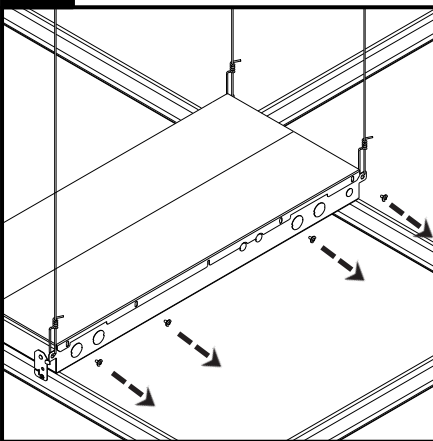
Place the DriverBox on top of the T-grid, ensuring the grid clips remain positioned on the outside of the T-bar.

3 Secure DriverBox & tie-off to structure



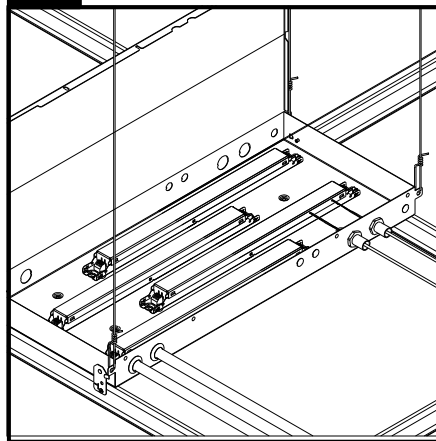
Secure DriverBox to T-Grid with self drilling #8x1/4" sheet metal screws (supplied by others)

4 Remove cover screws



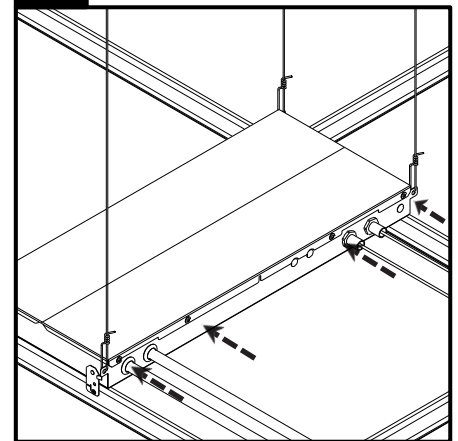
Remove screws using a #2 Phillips OR #2 Robertson screwdriver to open the cover.

5 Standard electrical connections



Make electrical connections using wire nuts (supplied by others). **IMPORTANT NOTE: Reference Ledalite Remote DriverPod Schematic Diagrams document (see QR Code/Link on page 1 for wiring instructions and max DC cable lengths for your specific configuration).**

6 Close DriverBox

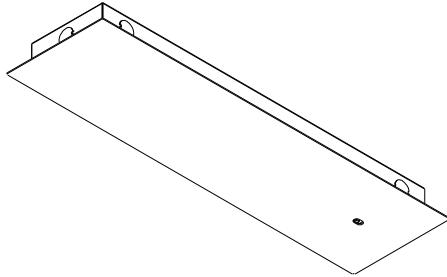


Close the cover and reinstall screws using a #2 Phillips OR #2 Robertson screwdriver.

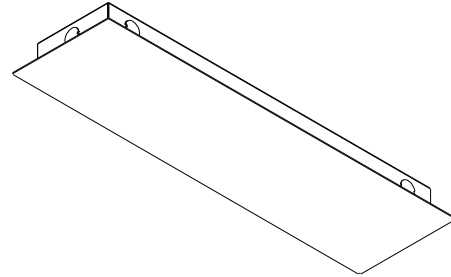
! **ATTENTION: Install in accordance with local and national building and electrical codes.**

! DriverPod version S: This DriverBox is the power mount for ceiling type 3.

! DriverBox Variants



Suspended Version

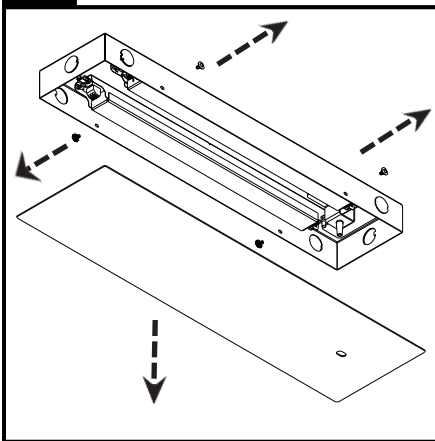


Non-Suspended Version

Note: Steps below are for the suspended version.

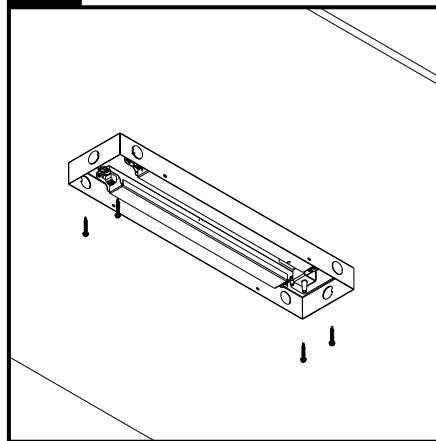
For non-suspended, follow the same steps except steps 4 and 5 - refer to those steps for required differences.

1 Remove cover



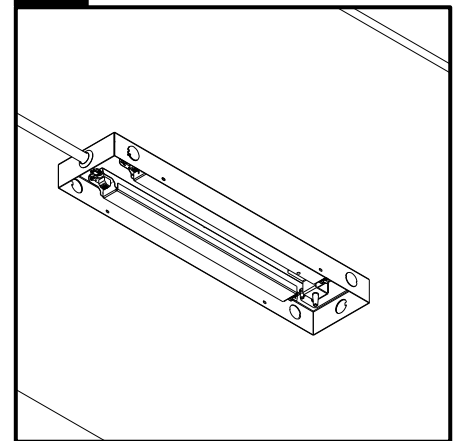
Remove the four screws to access the DriverBox interior.

2 Mounting DriverBox



Install DriverBox at required mounting location. Attach to structure with appropriate hardware (supplied by others).

3 Power feed preparation



Determine required power feed location. Remove 7/8" knockout, attach electrical conduit (supplied by others) and make AC electrical connections using wire nuts (supplied by others).

! **ATTENTION: Install in accordance with local and national building and electrical codes.**

! Attention – For Non-Suspended version only

Steps 4 and 5 below are written for the suspended version.

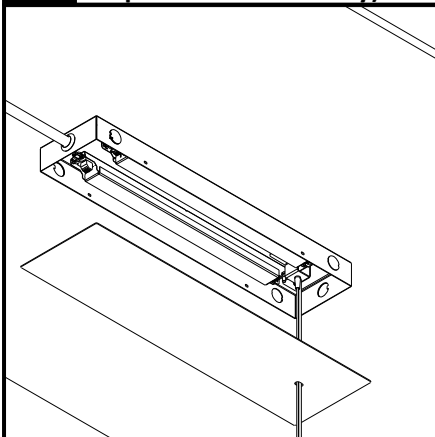
When installing the non-suspended version:

- Complete all low-voltage wiring connections inside the DriverBox and proceed to step 6.

NOTE: Refer to supplied luminaire installation instructions for installing luminaire.

IMPORTANT NOTE: Reference Ledalite Remote DriverPod Schematic Diagrams document (see QR Code/Link on page 1 for wiring instructions and max DC cable lengths for your specific configuration).

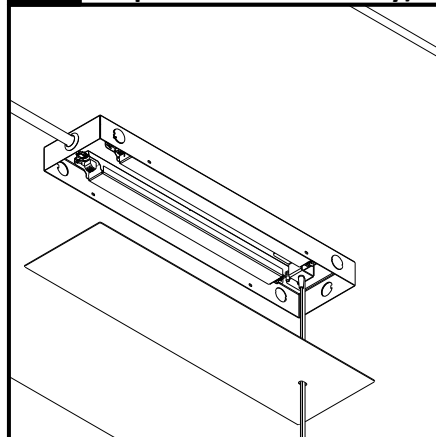
4 Cable routing (For suspended version only)



Feed the suspension cable and fixture power cord through the DriverBox cover. Insert the suspension cable into the cable gripper.

NOTE: Refer to supplied luminaire installation instructions for installing luminaire.

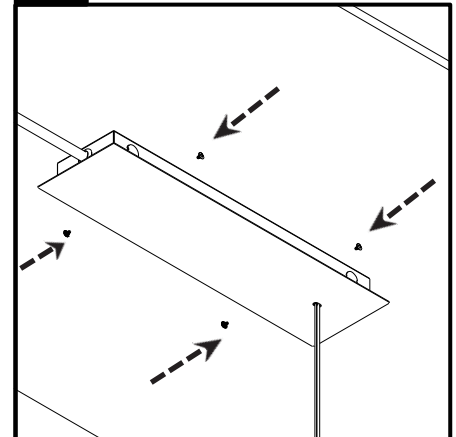
5 Standard electrical connections (For suspended version only)



Pull excess fixture power cord into the DriverBox, trim as needed, and complete all low-voltage wiring connections inside the DriverBox housing.

IMPORTANT NOTE: Reference Ledalite Remote DriverPod Schematic Diagrams document (see QR Code/Link on page 1 for wiring instructions and max DC cable lengths for your specific configuration).

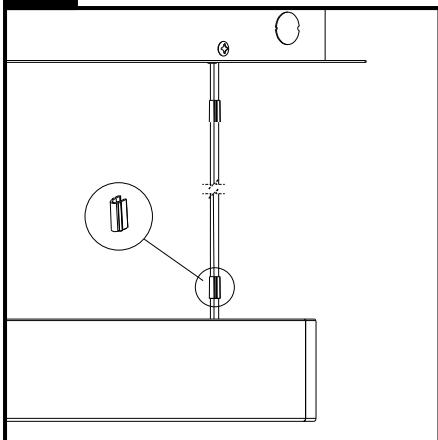
6 Cover installation



Raise cover to ceiling and align with suspension cable and cable gripper.

! **ATTENTION:** Install in accordance with local and national building and electrical codes.

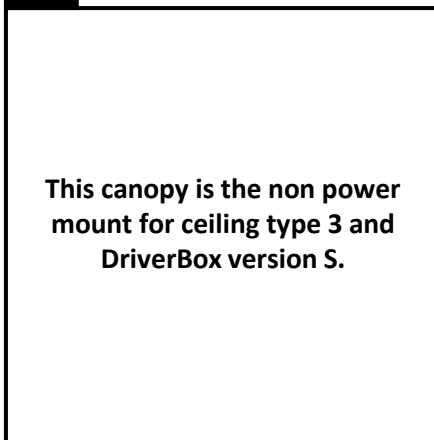
7 Install clips



Install DC Power Cord clips to hold power cord and Aircraft cable together as shown.

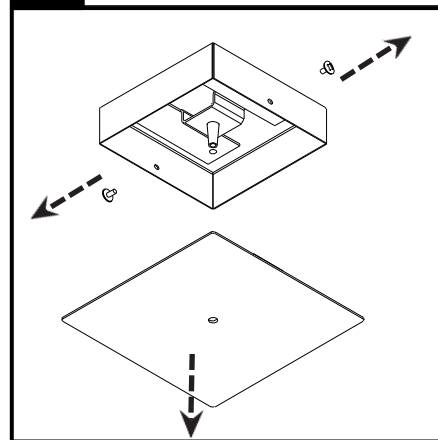
Recommended to install at least one clip per ft or as required and within 6" of top and bottom of the power cord drop.

! Non power mount



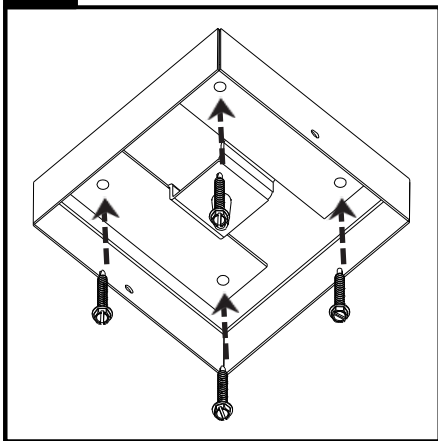
The following steps apply to the non-powered version only.

8 Canopy installation



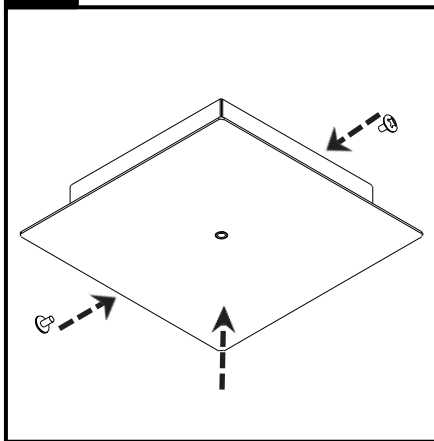
Remove canopy cover and 2 screws.

9 Canopy installation



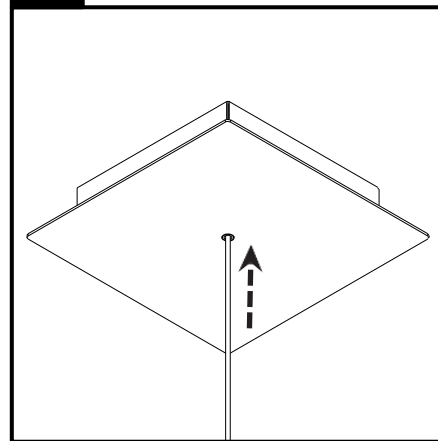
Install canopy at required mounting location. Attach to structure with appropriate hardware (supplied by others).

10 Housing cover installation



Re-install canopy cover and the screws removed in step 9.

11 Insert suspension cable

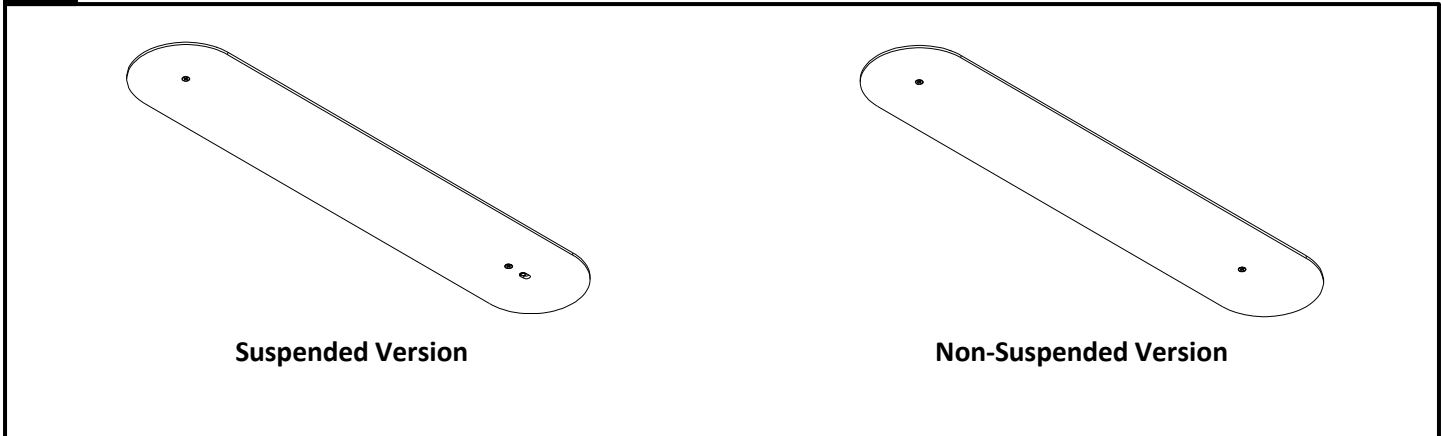


Insert suspension cable into the gripper.

! ATTENTION: Install in accordance with local and national building and electrical codes.

! DriverPod version D: This DriverBox is the power mount for ceiling type 1.

! DriverBox Variants



Note: Steps below are for the suspended version.

For non-suspended, follow the same steps except steps 7 and 9 - refer to those steps for required differences.

1 Ceiling cutout details

The diagram shows a rectangular cutout with a break in the middle. A small box on the right side is labeled 'Min' and 'Max', indicating the range of dimensions.

Cutout Width: 3-3/8" to 3-7/8"

Cutout Length: 21-1/4 to 21-1/2"

Build ceiling frame around driver box cutout to 3-3/8" to 3-7/8" width and 21-1/4" to 21-1/2" length.

2 Install power cable

The diagram shows a perspective view of the DriverBox being installed into a ceiling cutout. A power cable is shown entering the box through the ceiling.

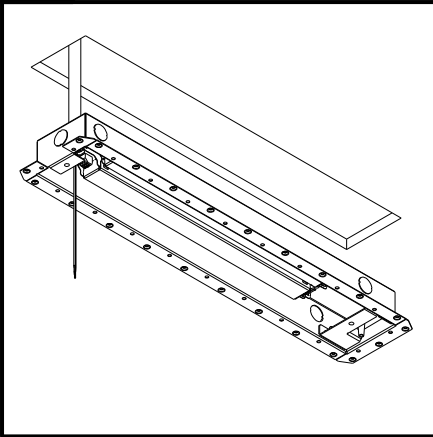
Make a cutout in the drywall at the required mounting location (refer to the previous step for cutout dimensions). Prepare the power feed for AC connections, and pull the wiring through the ceiling cutout.

3 Remove lid

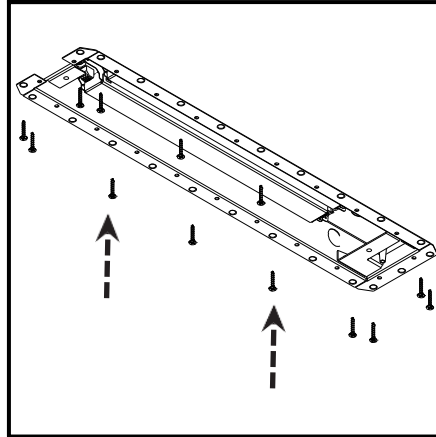
The diagram shows the DriverBox with its lid being removed. Dashed arrows indicate the lid being pushed down and away from the box.

Remove both screws with a #2 Phillips screwdriver, **support the lid as it releases**, and then take down the lid.

! **ATTENTION: Install in accordance with local and national building and electrical codes.**

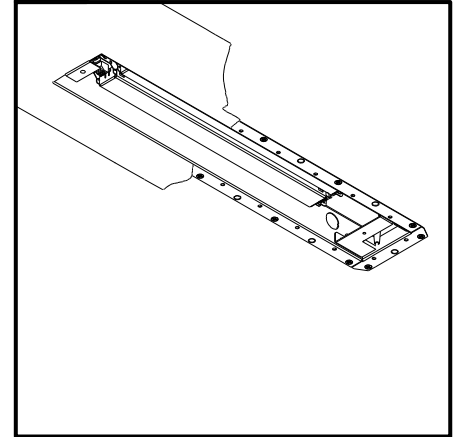
4 Make AC electrical connections

Make AC electrical connections using wire nuts (supplied by others).

5 Raise and secure DriverBox

Secure the DriverBox to the drywall using appropriate drywall screws (by others). Mounting holes are \varnothing 5.2 mm (0.20 in).

Important: Ensure screws are driven straight and not in anyway to alter the width of the opening.

6 Apply mud over DriverBox flange

OPTIONAL: Mud over the DriverBox flange.

! Attention – For Non-Suspended version only

Steps 7 and 9 below is written for the suspended version.

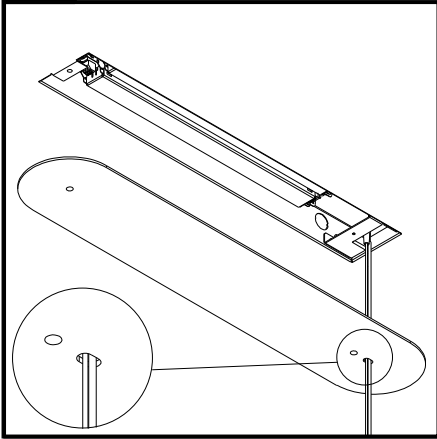
When installing the non-suspended version:

- Complete all low-voltage wiring connections inside the DriverBox and proceed to step 8.

NOTE: Refer to supplied luminaire installation instructions for installing luminaire.

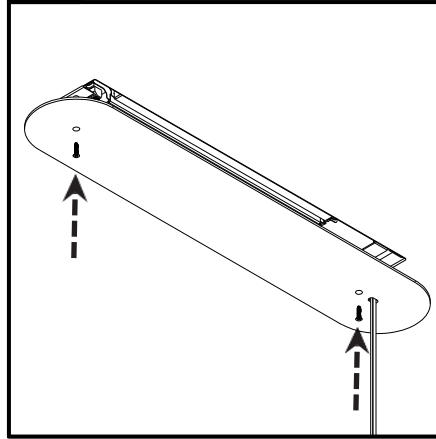
IMPORTANT NOTE: Reference Ledalite Remote DriverPod Schematic Diagrams document (see QR Code/Link on page 1 for wiring instructions and max DC cable lengths for your specific configuration.

! ATTENTION: Install in accordance with local and national building and electrical codes.

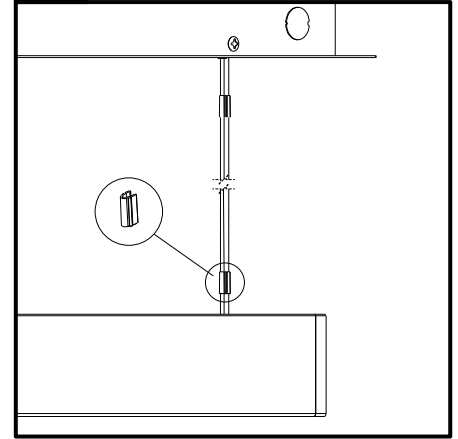
7 Make DC electrical connections

IMPORTANT: Feed the suspension cable and fixture power cord through the DriverBox lid. Insert the suspension cable into the cable gripper. Make DC electrical connections using wire nuts (supplied by others).

IMPORTANT NOTE: Reference **Ledelite Remote DriverPod Schematic Diagrams** document (see **QR Code/Link on page 1** for wiring instructions and max DC cable lengths for your specific configuration).

8 Secure the lid

Position the lid onto the DriverBox, holding it securely while reinstalling the screws. Tighten both screws with a #2 Phillips screwdriver.

9 Install clips

Install DC Power Cord clips to hold power cord and Aircraft cable together as shown.

Recommended to install at least one clip per ft or as required and within 6" of top and bottom of the power cord drop.

! **ATTENTION:** Install in accordance with local and national building and electrical codes.

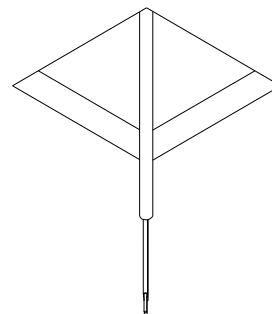
! Powered canopy

The following steps apply to the powered canopy configuration.

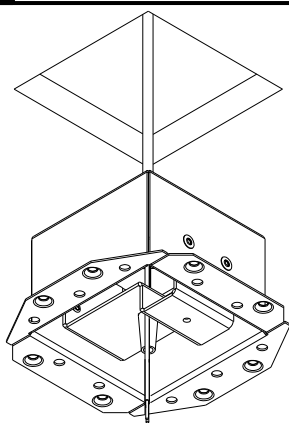
10 Ceiling cutout details

Square Cutout :
2-7/8" to 3-1/8"

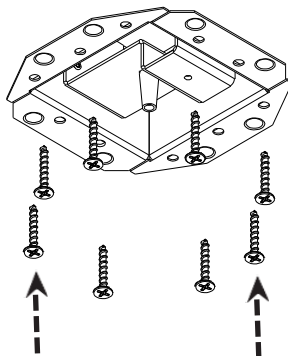
Build ceiling frame around canopy box square cutout to 2-7/8" to 3-1/8" per side.

11 Install power cable

Make a cutout in the drywall at the required mounting location (refer to the previous step for cutout dimensions). Prepare the power feed for AC connections, and pull the wiring through the ceiling cutout.

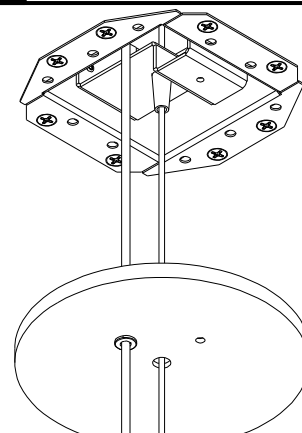
12 Insert power cable

Remove the knockout and route the power cable through the opening.

13 Raise and secure the canopy box

Secure the canopy box to the drywall using #6 drywall screws (by others).

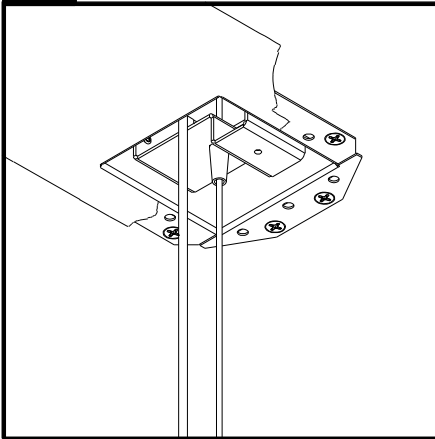
Important: Ensure screws are driven straight and not in anyway to alter the width of the opening.

14 Feed suspension cable

IMPORTANT: Feed the suspension cable and fixture power cord through the canopy box lid. Insert the suspension cable into the cable gripper.

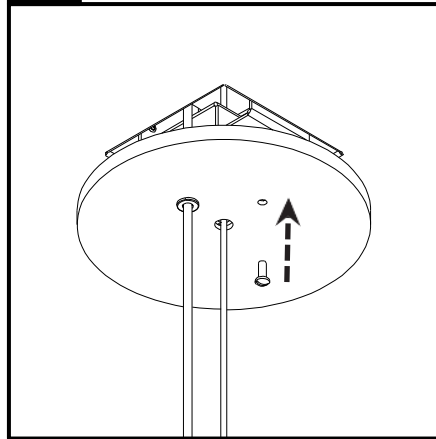
! **ATTENTION:** Install in accordance with local and national building and electrical codes.

15 Apply mud over flange



OPTIONAL: Mud over the flange.

16 Secure the lid

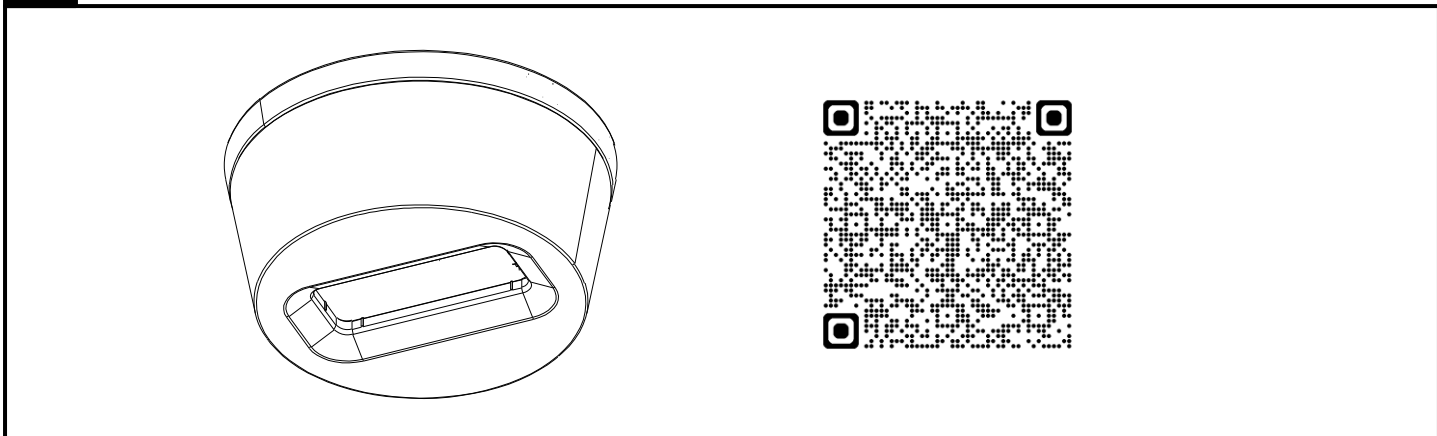


Position the lid onto the canopy box, holding it securely while installing the screw using a flathead screwdriver.

! **ATTENTION: Install in accordance with local and national building and electrical codes.**

IS-DB Surface Mounted Sensor/Radio Node Installation Sheet

! Install instructions for Interact Pro

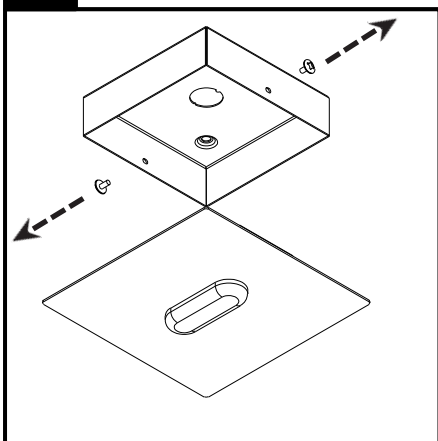


913713620813 SA0600/05 Indoor Surface Mount

Note: Customer supplied plenum rated wire for wired surface mounting.

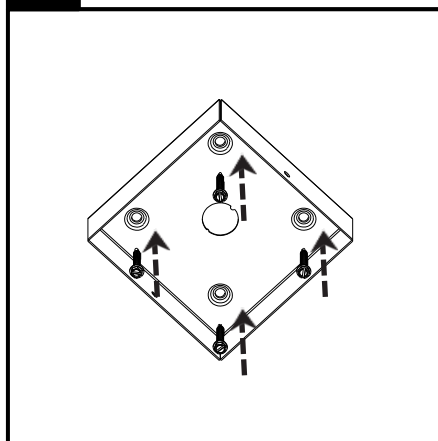
! Install instructions for Lutron sensors

01 Canopy installation



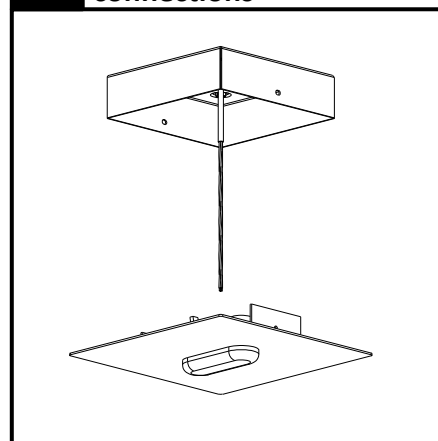
Remove canopy cover and 2 screws.

02 Canopy installation



Install canopy at required mounting location. Attach to structure with appropriate hardware (supplied by others).

03 Standard electrical connections

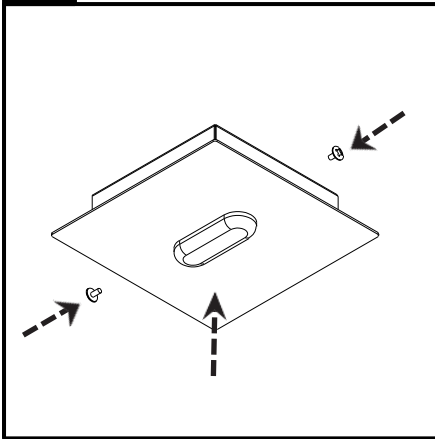


Feed the power cord through the canopy box. Make the appropriate low voltage wiring connections using wire nuts (supplied by others).

! **ATTENTION: Install in accordance with local and national building and electrical codes.**

IS-DB Surface Mounted Sensor/Radio Node Installation Sheet

04 Canopy cover installation



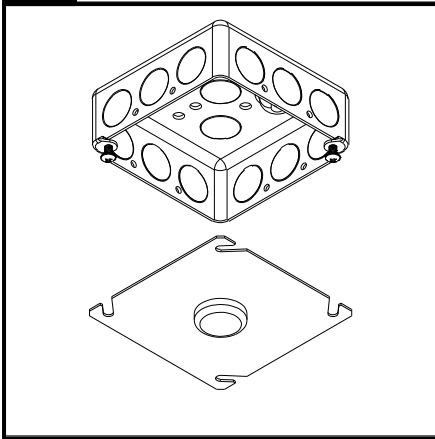
Make the appropriate low voltage wiring connections using wire nuts (supplied by others). Re-install canopy cover and the screws removed in step 1.

! **ATTENTION: Install in accordance with local and national building and electrical codes.**

IS-DB Plenum Mounted Sensor/Radio Node Installation Sheet

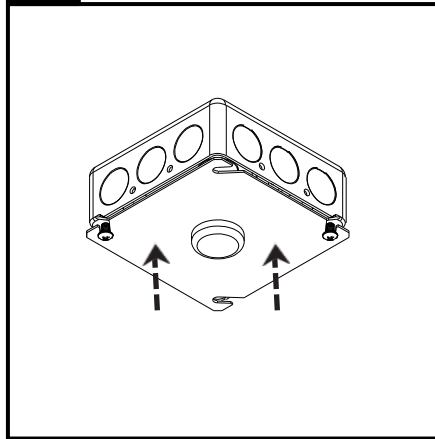
! Install instructions for Lutron and Interact Radio Nodes

1 Installing junction box



Ensure that the junction box (supplied by others) is a **4 in × 4 in square junction box with a minimum depth of 1.5 in (38 mm)** (for example, Iberville BC52151-K).

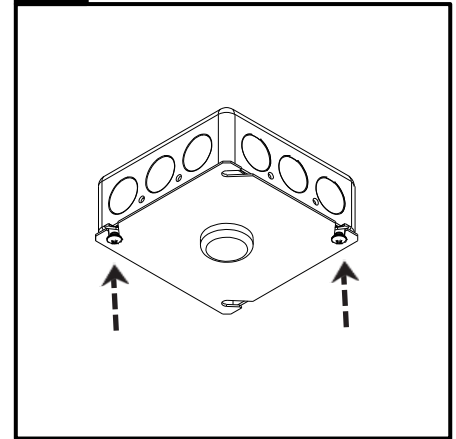
2 Installing junction box cover



Bring the junction box cover with the RA node pre-installed to the junction box and make the appropriate low voltage wiring connections using wire nuts (supplied by others).

Loosen the junction box cover screws slightly and position the cover by engaging the keyhole slots. Rotate the cover into position against the junction box.

3 Installing junction box cover



Tighten the junction box cover screws to secure the cover in place.

! ATTENTION: Install in accordance with local and national building and electrical codes.

© 2025 SignifyHolding. All rights reserved. The information provided herein is subject to change, without notice. Signify does not give any representation or warranty as to the accuracy or completeness of the information included herein and shall not be liable for any action in reliance thereon. The information presented in this document is not intended as any commercial offer and does not form part of any quotation or contract, unless otherwise agreed by Signify.

GENLYTE
SOLUTIONS
a  signify business

Signify North America Corp.
400 Crossing Blvd, Suite 600
Bridgewater, NJ 08807
Telephone: 800-555-0050

Signify Canada Ltd.
281 Hillmount Road,
Markham, ON, Canada L6C 2S3
Telephone: 800-668-9008

All trademarks are owned by Signify Holding or their respective owners.

INSTALLATION

WARNINGS AND INSTRUCTIONS FOR LUMINAIRES

IMPORTANT: THIS PRODUCT MUST BE INSTALLED IN ACCORDANCE WITH THE APPLICABLE INSTALLATION CODE BY A PERSON FAMILIAR WITH THE CONSTRUCTION AND OPERATION OF THE PRODUCT AND THE HAZARDS INVOLVED.

FOR YOUR PROTECTION, YOU MUST CAREFULLY READ ALL WARNINGS AND INSTRUCTIONS IN THEIR ENTIRETY PRIOR TO INSTALLATION, OPERATION, SERVICE OR MAINTENANCE. FAILURE TO DO SO CAN RESULT IN DEATH, PERSONAL INJURY AND PROPERTY DAMAGE. If you do not understand these warnings and instructions, or if additional information is desired, please contact the Customer Care Call Center at 800-555-0050.

• **Installation, service and maintenance of luminaires must be performed by a qualified professional and in accordance with all federal, state and local laws, regulations and electrical codes. This professional should be familiar with the construction and operation of this product and any hazards involved. If not qualified, do not attempt installation, service or maintenance.**

• **To reduce the risk of death, personal injury or property damage from fire, electric shock, falling parts, cuts, abrasions and other hazards, please read all warnings and instructions included with the luminaire, on the luminaire's packaging and affixed to the luminaire itself.**

• **Maintenance of the luminaires should be performed by person(s) familiar with the luminaire's construction and operation and any hazards involved.**



WARNING

RISK OF FIRE, ELECTRIC SHOCK OR PERSONAL INJURY

- Disconnect or turn off power before attempting any installation, service or maintenance.
- Verify that supply voltage is correct by referencing the luminaire label information.
- Make all electrical and ground connections in accordance with the National Electrical Code (NEC) and any other applicable laws, regulations or codes.
- All wiring connections should be capped with UL-approved wire connectors.



WARNING

RISK OF PERSONAL INJURY

- Wear gloves and safety glasses at all times when removing luminaire from carton, installing, servicing or performing maintenance.
- Avoid direct eye exposure to the light source while it is on.



WARNING

RISK OF FIRE OR PERSONAL INJURY

- Keep combustible materials away from LED/lamp & lens.
- Do not operate in close proximity to persons, combustible materials or substances affected by heat or drying.



WARNING

RISK OF FIRE, ELECTRIC SHOCK OR PERSONAL INJURY

- Allow LED/lamp & lens to cool before handling.
- Do not touch enclosure or light source.
- Do not exceed maximum wattage marked on luminaire label.
- Follow all manufacturer's warnings, recommendations, instructions and restrictions for driver type, burning position, mounting locations and replacement.



CAUTION

RISK OF PRODUCT DAMAGE

- Never connect luminaires and/or components under load with supply voltage turned on.
- Do not mount or support these luminaires in a manner that can cut the outer jacket or damage wire insulation.
- Do not restrict fixture ventilation. Allow for some volume of airspace around luminaire. Avoid covering luminaire with insulation, foam or other material that will prevent convection or conduction cooling.
- Do not exceed luminaire maximum ambient temperature.
- Do not modify the luminaire.
- Only use luminaire in its intended application and location.
- LED products are polarity sensitive. Ensure proper polarity before installation.
- Electrostatic Discharge (ESD) can damage LED. Personal grounding equipment must be worn during all installation and servicing of the luminaire.
- Do not touch individual electrical components as this can cause ESD, shorten LED life, or impact LED performance.
- Some components inside the luminaire may not be serviceable. In the unlikely event your luminaire may require service, stop using it immediately and contact the Customer Care Call Center at 800-555-0050.
- Always read the luminaire's complete installation instructions prior to installation for any additional luminaire specific warnings.
- In the case of HID or Fluorescent luminaires, regular re-lamping is required to keep luminaire operating within safe limits
- **Do not install damaged product.** Handling and installing damaged products can potentially increase the risks mentioned. In case of damage and/or missing parts upon arrival of the luminaire, please contact the Customer Care Call Center at 800-555-0050.
- These instructions do not purport to cover all details or variations in equipment nor to provide every possible contingency to meet in connection with installation, operation or maintenance. Should further information be desired, or should particular problems arise which are not covered sufficiently for the purchaser's or owner's purposes, this matter should be referred to the Customer Care Call Center at 800-555-0050. Please see luminaire specific Installation and Maintenance Instruction for additional warnings or any applicable FCC or regulatory statements. Failure to follow any of these instructions could void luminaire warranties.

Luminaire Maintenance

- Regular luminaire maintenance programs are recommended.
- It is recommended to clean the outside of the luminaire and the refractor/lens.
- Frequency of cleaning will depend on ambient dirt level and minimum light output which is acceptable to user.
- If clean water is not sufficient for cleaning, use a neutral, synthetic, non-scratching and non-abrasive cleaning substance.
- Never use alkaline and/or acetous cleaning substances.
- Make sure that the cleaning substance is carefully removed by rinsing with lots of clean water.
- Signify recommends using a cleaning solution that has a PH between 5 and 8.
- Recycle: For information on how to recycle electronic products and components, please visit www.epa.gov.

442294653951 - REV B