

Read and understand these instructions before proceeding.



This fixture is intended for installation in accordance with the National Electrical Code and Local Regulations. To assure full compliance with local codes and regulations, check with your local electrical inspector before installation. To prevent electrical shock, turn off electricity at fuse box before proceeding. Allow fixture to cool before handling.

THIS MOUNTING INSTRUCTION IS FOR SHADE TO ENGINE ASSEMBLY ONLY. SEE ENGINE MOUNTING INSTRUCTIONS FOR WIRING SUPPORT ETC. RETAIN THESE INSTRUCTIONS FOR MAINTENANCE REFERENCE.

Lisez et comprenez ces instructions avant de continuer.

Cet appareil est destiné à être installé conformément au Code électrique national et aux règlements locaux. Pour garantir une conformité totale avec les codes et règlements locaux, consultez votre inspecteur électrique local avant l'installation. Pour éviter les chocs électriques, coupez l'alimentation au disjoncteur avant de continuer. Laissez l'appareil refroidir avant de le manipuler.

VOICI LES DIRECTIVES DE MONTAGE POUR L'ASSEMBLAGE DE L'ABAT-JOUR SUR LE GÉNÉRATEUR DE LUMIÈRE UNIQUEMENT. CONSULTEZ LES DIRECTIVES DE MONTAGE DU GÉNÉRATEUR DE LUMIÈRE POUR LES QUESTIONS DE CÂBLAGE, ETC. CONSERVEZ CES DIRECTIVES POUR RÉFÉRENCE EN CAS D'ENTRETIEN.

! ATTENTION: Install in accordance with local and national building and electric codes.

! ATTENTION : installez conformément aux codes du bâtiment et de l'électricité locaux et nationaux.

IS-3DPICY2

IMPORTANT: Read ALL instructions including fixture/sensor wiring, mechanical details and warnings before beginning installation.

FCC Class A Notice: This equipment has been tested and found to comply with the limits for a Class A digital service, pursuant to Part 15 of the FCC Rules. These limits are designed to provide reasonable protection against harmful interference when the equipment is operated in a commercial environment. This equipment generates, uses, and can radiate radio frequency energy and, if not installed and used in accordance with the instruction manual, many cause harmful interference to radio communications. Operation of this equipment in a residential area is likely to cause harmful interference in which case the user will be required to correct the interference at his own expense.

FCC Compliance Statement:

This device complies with part 15 of the FCC Rules. Operation is subject to the following two conditions: (1) This device may not cause harmful interference, and (2) this device must accept any interference received, including that may cause undesired operation.

CAN ICES (A) / NMB (A)

 **Warning! Shock Hazard!**

IMPORTANT:

Disconnect or turn off power before attempting any installation, service or maintenance.




 **Warning! Shock Hazard!**

IMPORTANT:

Fixture must be connected to building ground via the provided ground wire before re-connecting to mains power supply.



 **Warning! Shock Hazard!**

IMPORTANT:

Luminaires that have emergency lighting battery packs utilize TWO separate sources of electrical power. When servicing, make sure to disconnect both before servicing.



INSTALLATION

WARNINGS AND INSTRUCTIONS FOR LUMINAIRES

IMPORTANT: THIS PRODUCT MUST BE INSTALLED IN ACCORDANCE WITH THE APPLICABLE INSTALLATION CODE BY A PERSON FAMILIAR WITH THE CONSTRUCTION AND OPERATION OF THE PRODUCT AND THE HAZARDS INVOLVED.

FOR YOUR PROTECTION, YOU MUST CAREFULLY READ ALL WARNINGS AND INSTRUCTIONS IN THEIR ENTIRETY PRIOR TO INSTALLATION, OPERATION, SERVICE OR MAINTENANCE. FAILURE TO DO SO CAN RESULT IN DEATH, PERSONAL INJURY AND PROPERTY DAMAGE. If you do not understand these warnings and instructions, or if additional information is desired, please contact the Customer Care Call Center at 800-555-0050.

- Installation, service and maintenance of luminaires must be performed by a qualified professional and in accordance with all federal, state and local laws, regulations and electrical codes. This professional should be familiar with the construction and operation of this product and any hazards involved. If not qualified, do not attempt installation, service or maintenance.
- To reduce the risk of death, personal injury or property damage from fire, electric shock, falling parts, cuts, abrasions and other hazards, please read all warnings and instructions included with the luminaire, on the luminaire's packaging and affixed to the luminaire itself.
- Maintenance of the luminaires should be performed by person(s) familiar with the luminaire's construction and operation and any hazards involved.

! ATTENTION: Install in accordance with local and national building and electric codes.

INSTALLATION

WARNINGS AND INSTRUCTIONS FOR LUMINAIRES



WARNING

RISK OF FIRE, ELECTRIC SHOCK OR PERSONAL INJURY

- Disconnect or turn off power before attempting any installation, service or maintenance.
- Verify that supply voltage is correct by referencing the luminaire label information.
- Make all electrical and ground connections in accordance with the National Electrical Code (NEC) and any other applicable laws, regulations or codes.
- All wiring connections should be capped with UL-approved wire connectors.



WARNING

RISK OF PERSONAL INJURY

- Wear gloves and safety glasses at all times when removing luminaire from carton, installing, servicing or performing maintenance.
- Avoid direct eye exposure to the light source while it is on.



WARNING

RISK OF FIRE OR PERSONAL INJURY

- Keep combustible materials away from LED/lamp & lens.
- Do not operate in close proximity to persons, combustible materials or substances affected by heat or drying.



WARNING

RISK OF FIRE, ELECTRIC SHOCK OR PERSONAL INJURY

- Allow LED/lamp & lens to cool before handling.
 - Do not touch enclosure or light source.
 - Do not exceed maximum wattage marked on luminaire label.
 - Follow all manufacturer's warnings, recommendations, instructions and restrictions for driver type, burning position, mounting locations and replacement.



CAUTION

RISK OF PRODUCT DAMAGE

- Never connect luminaires and/or components under load with supply voltage turned on.
- Do not mount or support these luminaires in a manner that can cut the outer jacket or damage wire insulation.
- Do not restrict fixture ventilation. Allow for some volume of airspace around luminaire. Avoid covering luminaire with insulation, foam or other material that will prevent convection or conduction cooling.
- Do not exceed luminaire maximum ambient temperature.
- Do not modify the luminaire.
- Only use luminaire in its intended application and location.
- LED products are polarity sensitive. Ensure proper polarity before installation.
- Electrostatic Discharge (ESD) can damage LED. Personal grounding equipment must be worn during all installation and servicing of the luminaire.
- Do not touch individual electrical components as this can cause ESD, shorten LED life, or impact LED performance.
- Some components inside the luminaire may not be serviceable. In the unlikely event your luminaire may require service, stop using it immediately and contact the Customer Care Call Center at 800-555-0050.
- Always read the luminaire's complete installation instructions prior to installation for any additional luminaire specific warnings.
- In the case of HID or Fluorescent luminaires, regular re-lamping is required to keep luminaire operating within safe limits
- **Do not install damaged product.** Handling and installing damaged products can potentially increase the risks mentioned. In case of damage and/or missing parts upon arrival of the luminaire, please contact the Customer Care Call Center at 800-555-0050.
- These instructions do not purport to cover all details or variations in equipment nor to provide every possible contingency to meet in connection with installation, operation or maintenance. Should further information be desired, or should particular problems arise which are not covered sufficiently for the purchaser's or owner's purposes, this matter should be referred to the Customer Care Call Center at 800-555-0050. Please see luminaire specific Installation and Maintenance Instruction for additional warnings or any applicable FCC or regulatory statements. Failure to follow any of these instructions could void luminaire warranties.
- **Luminaire Maintenance**
 - Regular luminaire maintenance programs are recommended.
 - It is recommended to clean the outside of the luminaire and the refractor/lens.
 - Frequency of cleaning will depend on ambient dirt level and minimum light output which is acceptable to user.
 - If clean water is not sufficient for cleaning, use a neutral, synthetic, non-scratching and non-abrasive cleaning substance.
 - Never use alkaline and/or acetous cleaning substances.
 - Make sure that the cleaning substance is carefully removed by rinsing with lots of clean water.
 - Signify recommends using a cleaning solution that has a PH between 5 and 8.
 - Recycle: For information on how to recycle electronic products and components, please visit www.epa.gov.



**not for Enterprise or Signify Commissioned projects*

To configure a lighting system with Interact sensors or RF nodes;

- Ensure the luminaires are installed and powered on.
- Download the Interact Pro app from either Apple’s App Store (for iOS) or Google’s Play Store.

Download the Interact Pro app



- Register by tapping **Request access** on the login screen in the app.
- **Click** or **scan** the QR codes below to view instructions for setup.

Interact Pro Foundation Quick Start Guide



Interact Pro Documentation



Interact Pro Advanced Quick Start Guide



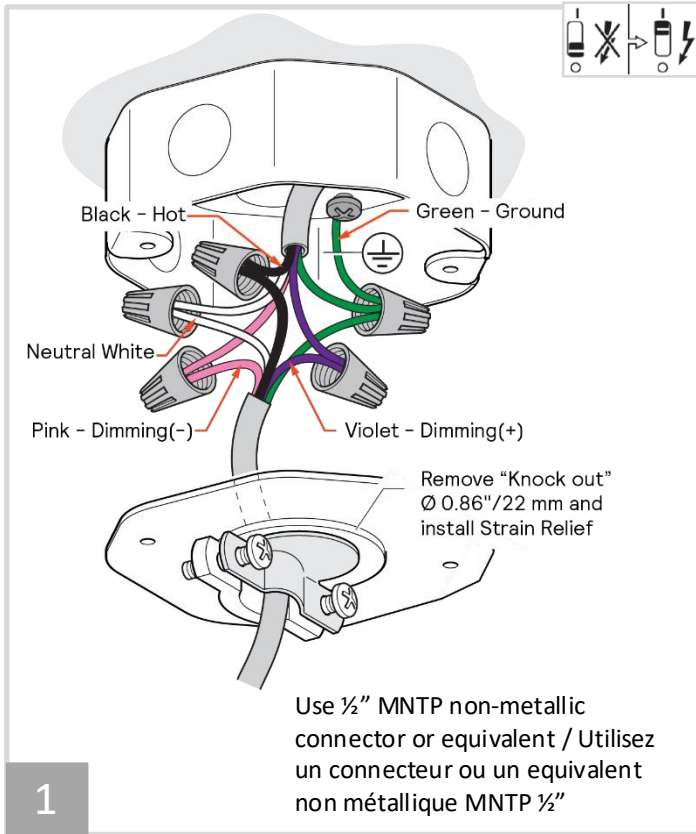
Interact Pro Setup Video



Contact Us 1-800-555-0050



! ATTENTION: Install in accordance with local and national building and electric codes.



Complete wiring per included wiring diagram. If control wires (Violet VT and Pink PK) are not present in existing building wiring, cap the control wires (VT AND PK) in the power cord.

NOTE: Dimming capabilities will be eliminated. (Figure 1)

0-10V dimming option:

Complete wiring per included wiring diagram.

If control wires (Violet VT and Pink PK) are not present in existing building wiring, cap the control wires (VT and PK) from luminaire.

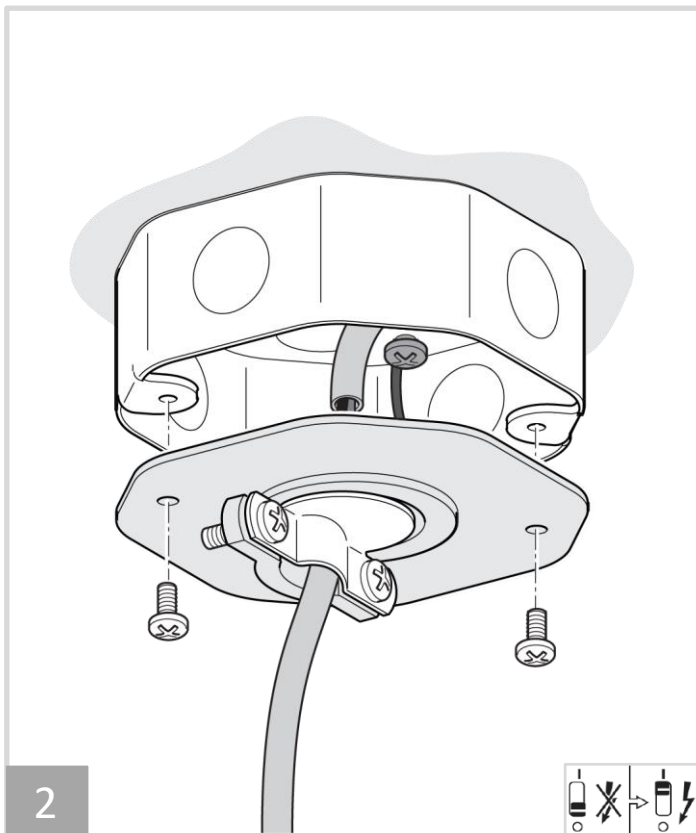
Note: Dimming capabilities will be eliminated for 0-10V dimming option when control wires are capped.

ELV dimming option:

ELV dimming is done through the standard Hot (BK), Neutral (WH) and Ground (GN) wiring.

Cap the additional wires (VT and PK) from luminaire.

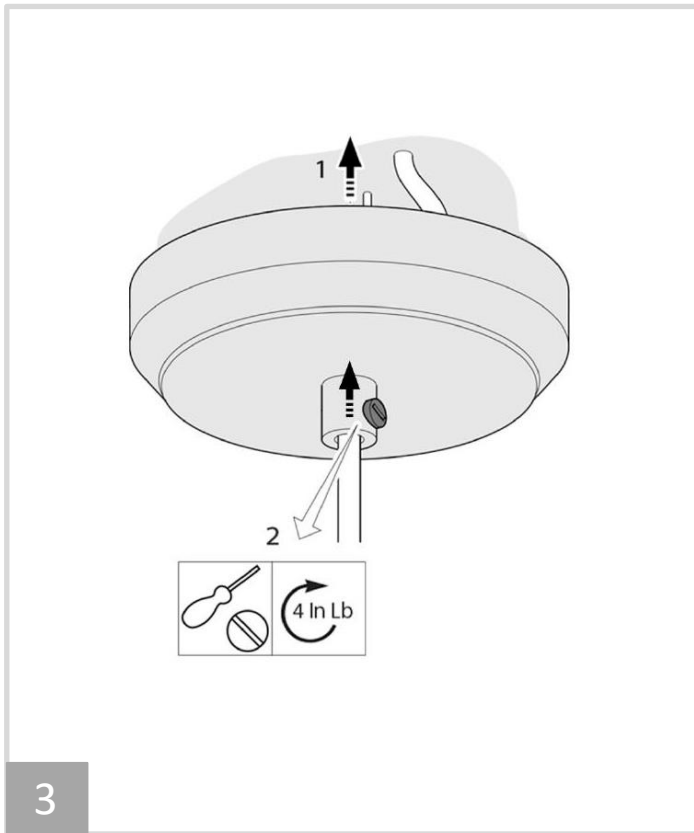
Power Supply (Input)	
	Black (BK) - Hot
	White (WT) - Neutral
	Green (GN) - Ground
	Violet (VT) - Dimming (+)
	Pink (PK) - Dimming (-)



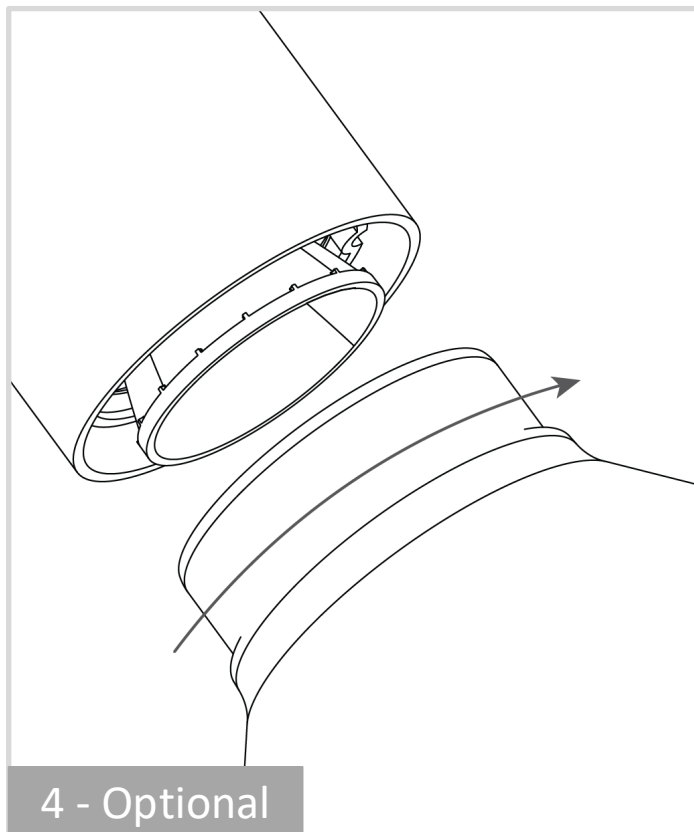
Attach Access Plate and assembly to the junction box (not shown) ensuring that the Fixture is at the correct mounting height and that the 2 screws (not included) are adequately tight.

(Figure 2)

! ATTENTION: Install in accordance with local and national building and electric codes.

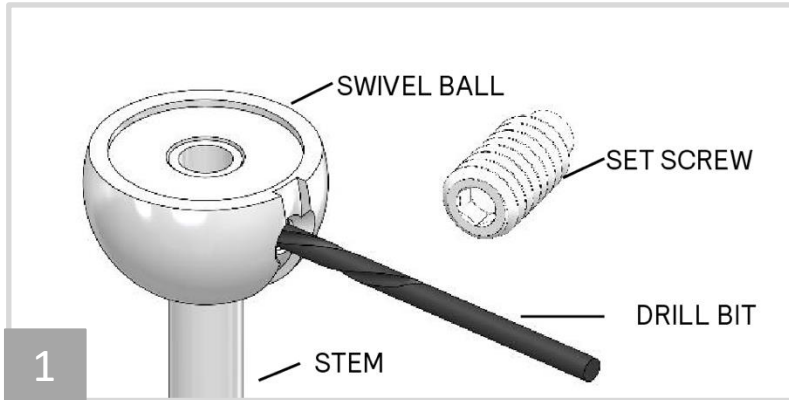


Raise the Canopy Cover and Canopy Cover Strain Relief upward until the canopy cover is secured flush against the junction box or ceiling and that the Canopy Cover Strain Relief sits flush against the Canopy Cover. (Figure 3)



Insert decorative element into luminaire and then rotate clockwise until locked in place.

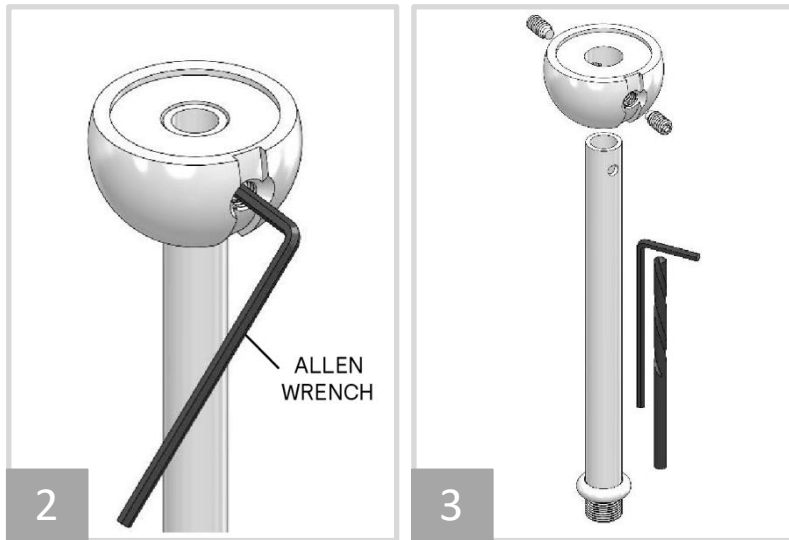
! **ATTENTION: Install in accordance with local and national building and electric codes.**



Loosen the Set Screw in the casting and rotate Swivel Ball 180° placing the Set Screw into the newly drilled hole for alignment.
(Figure 1)

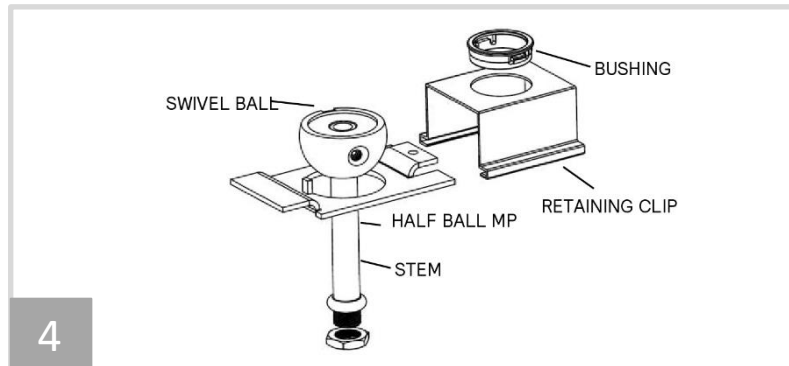
Drill a second 1/8" hole in the Stem through the opposite tapped hole.
(Figure 1)

Deburr any sharp edges on the inside of the Stem due to drilling operation.
(Figure 1)



Insert and tighten second Set Screw into tapped hole with supplied Allen Wrench.
(Figure 2)

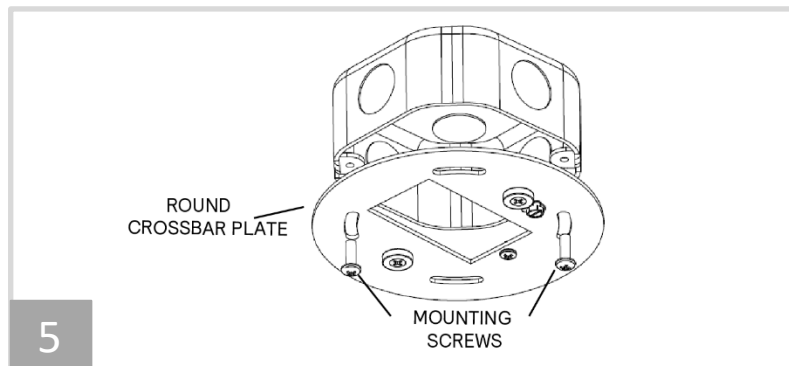
Pins from both Set Screws should engage the Stem through the drilled holes.
(Figure 3)



After Swivel Ball is installed, insert Stem through Half Ball Mounting Plate.
(Figure 4)

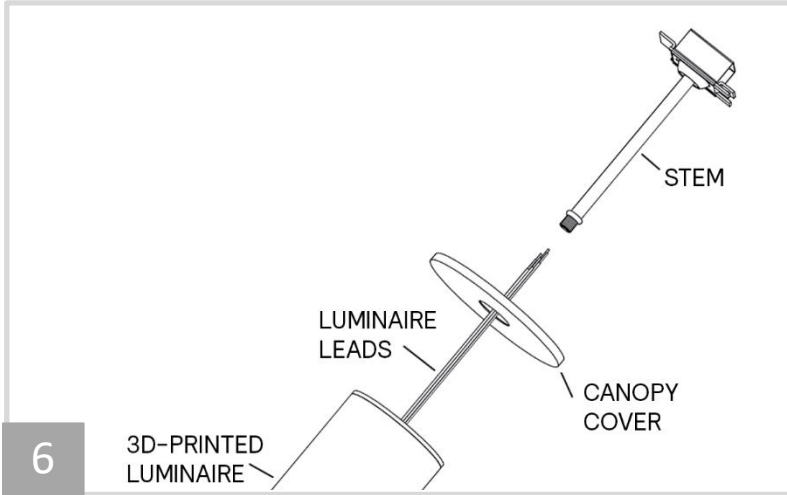
Insert Bushing into Retaining Clip.
(Figure 4)

Slide Retaining Clip into Half Ball Mounting Plate.
(Figure 4)

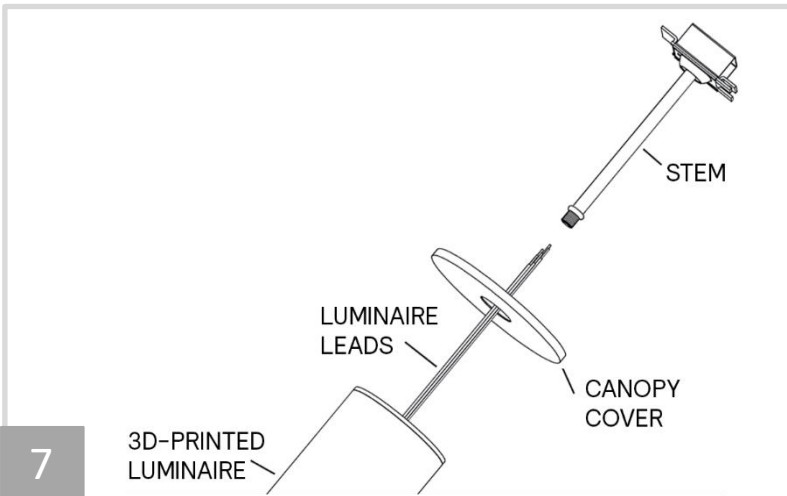


Install Round Crossbar Plate to J-Box using 2 Mounting Screws (not provided).
(Figure 5)

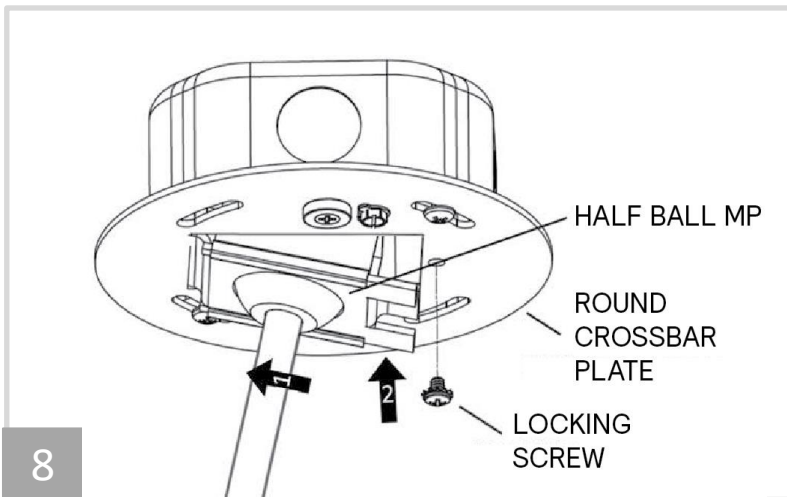
! **ATTENTION: Install in accordance with local and national building and electric codes.**



Put Luminaire Leads through Canopy Cover then through the Stem assembly from previous Preparation section.
(Figure 6)



Attach Stem assembly to 3D Printed Luminaire by threading it in clockwise.
(Figure 7)



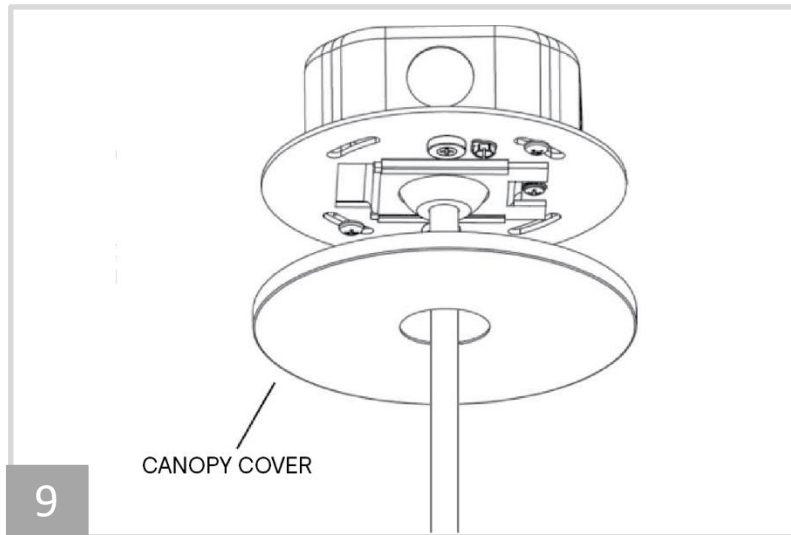
Wire neutral lead to white wire, hot supply lead to black wire, and bare copper and/or green wire must be connected to supply ground. Use wire nuts supplied.
(Figure 8)

0-10V dimming option:
Complete wiring per included wiring diagram. If control wires (Violet VT and Pink PK) are not present in existing building wiring, cap the control wires (VT and PK) from luminaire. Note: Dimming capabilities will be eliminated for 0-10V dimming option when control wires are capped.

ELV dimming option:
ELV dimming is done through the standard Hot (BK), Neutral (WH) and Ground (GN) wiring. Cap the additional wires (VT and PK) from luminaire.

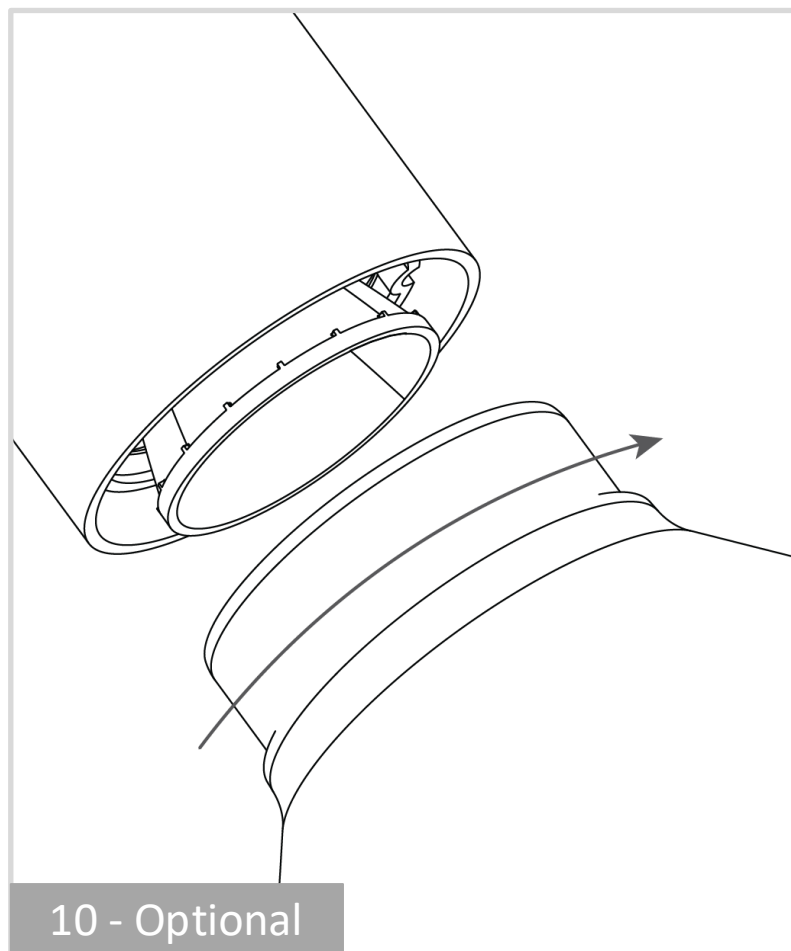
Power Supply (Input)	
	Black (BK) - Hot
	White (WT) - Neutral
	Green (GN) - Ground
	Violet (VT) - Dimming (+)
	Pink (PK) - Dimming (-)

! ATTENTION: Install in accordance with local and national building and electric codes.



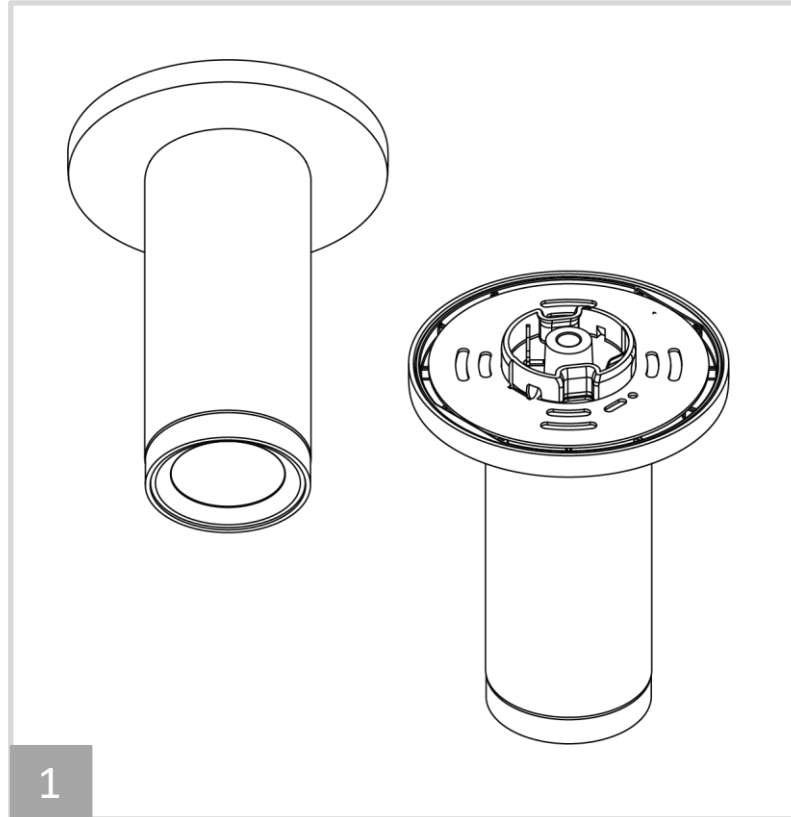
Take assembly from Step 2 and insert the Half Ball Mounting Plate through the Round Crossbar Plate at an angle. Push the remaining side up and slide into place. Use Locking Screw to secure. (Figure 9)

Take assembly from Step 2 and insert the Half Ball Mounting Plate through the Round Crossbar Plate at an angle. Push the remaining side up and slide into place. Use Locking Screw to secure. (Figure 10)

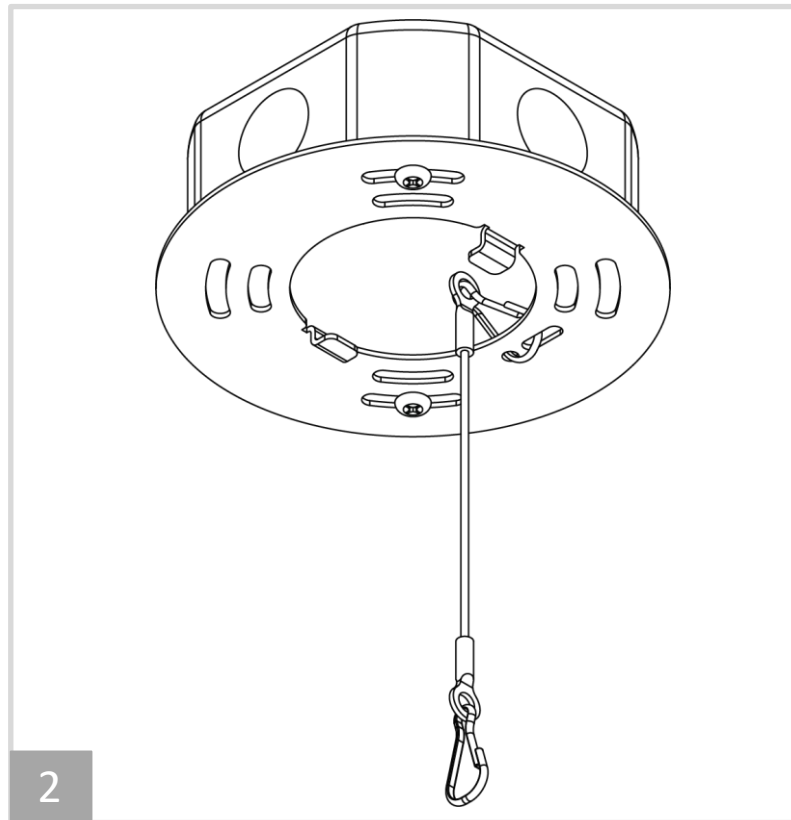


Insert decorative element into luminaire and then rotate clockwise until locked in place.

! **ATTENTION: Install in accordance with local and national building and electric codes.**

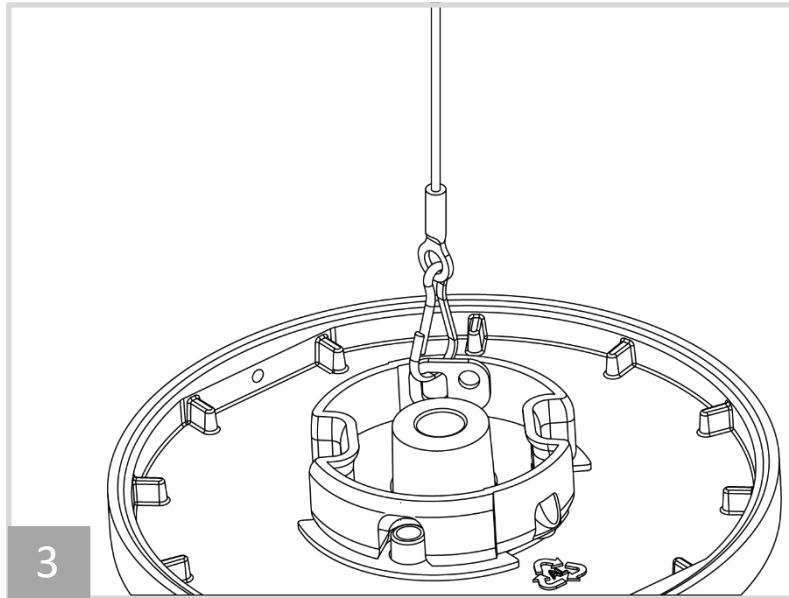


Carefully remove lighting fixture and packaging from box. Inspect to ensure all items are included.
(Figure 1)



Install cylinder mounting plate to junction box using two mounting screws (not included) ensuring tabs are positioned towards the room and the tether is coming out from the center hole.
(Figure 2)

! **ATTENTION: Install in accordance with local and national building and electric codes.**



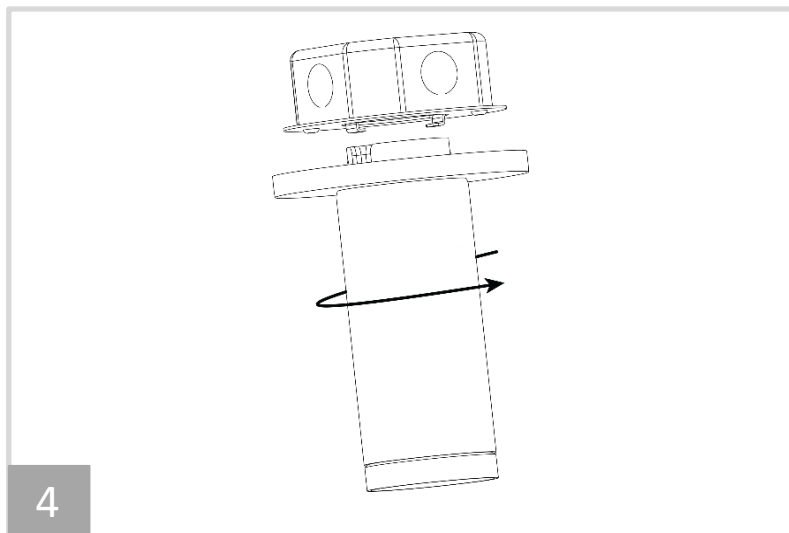
Attach the tether to the lighting fixture. (Figure 3).

0-10V dimming option:

Complete wiring per included wiring diagram. If control wires (Violet VT and Pink PK) are not present in existing building wiring, cap the control wires (VT and PK) from luminaire. Note: Dimming capabilities will be eliminated for 0-10V dimming option when control wires are capped.

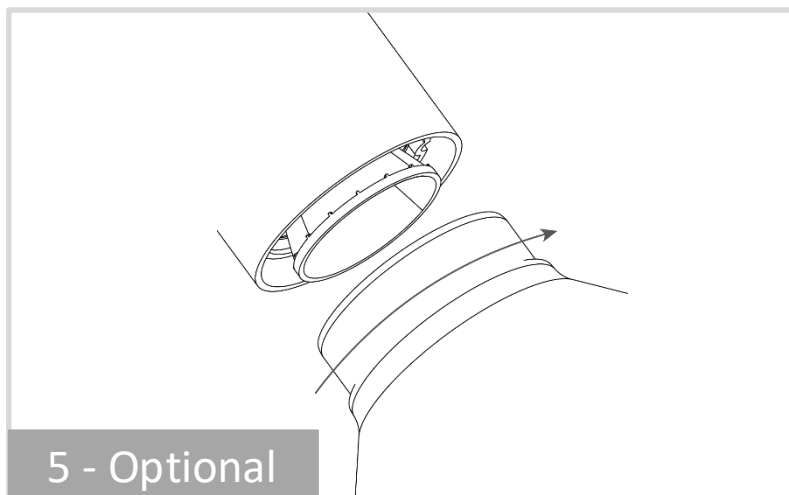
ELV dimming option:

ELV dimming is done through the standard Hot (BK), Neutral (WH) and Ground (GN) wiring. Cap the additional wires (VT and PK) from luminaire.



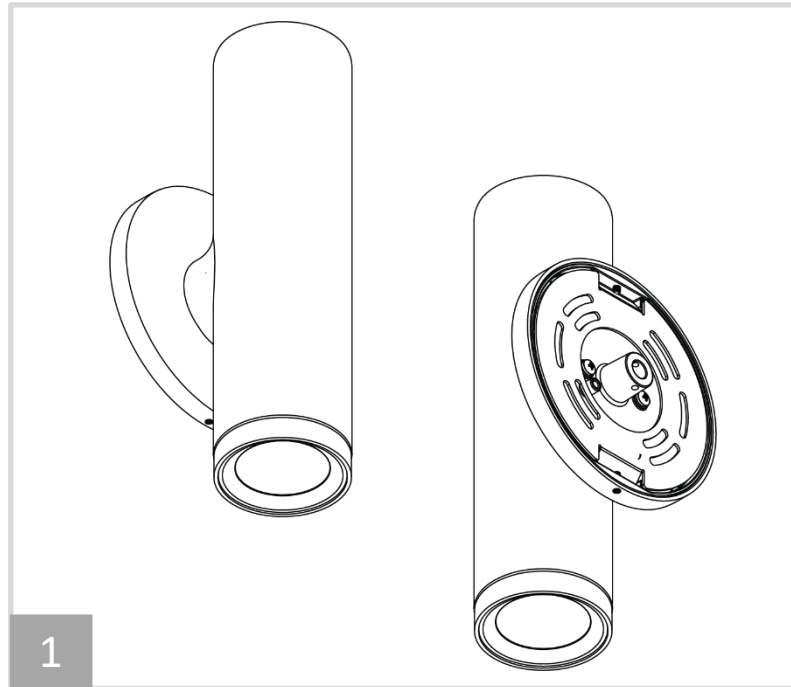
Power Supply (Input)	
	Black (BK) - Hot
	White (WT) - Neutral
	Green (GN) - Ground
	Violet (VT) - Dimming (+)
	Pink (PK) - Dimming (-)

Position lighting fixture underneath the mounting plate then push in the wires and the tether as much as possible inside the junction box. Wires and tether cannot stick outside of the center hole of the mounting plate. Align the tabs from the mounting plate to the lighting fixture. Bring lighting fixture close to the mounting plate then push towards the junction box and twist clockwise. (Figure 4)

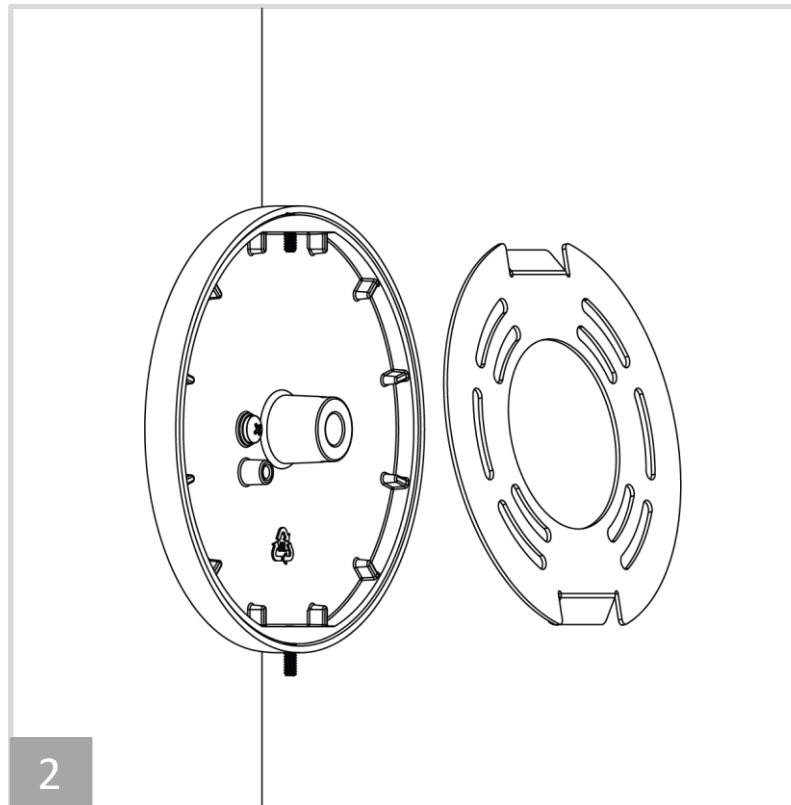


Insert decorative element into luminaire and then rotate clockwise until locked in place.

! ATTENTION: Install in accordance with local and national building and electric codes.

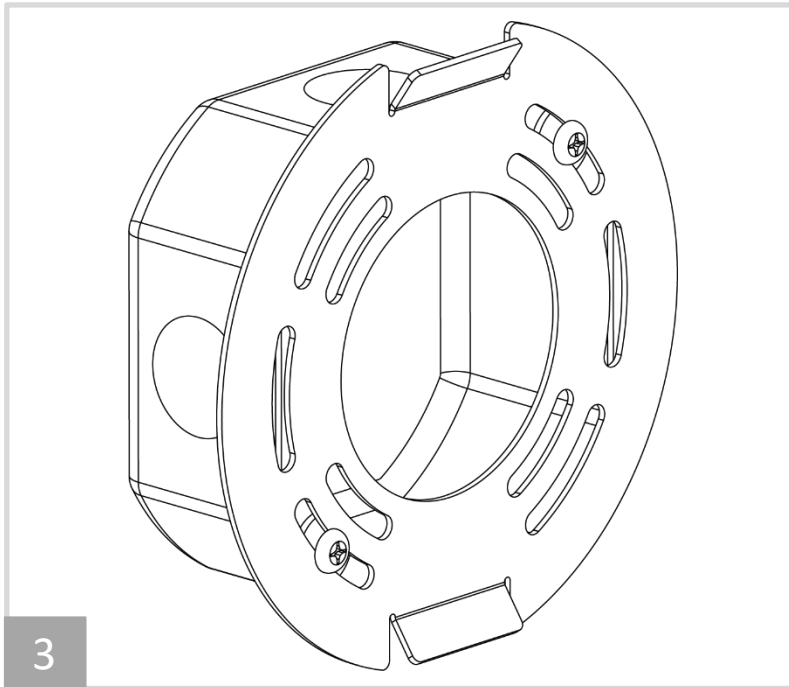


Carefully remove lighting fixture and packaging from box. Inspect to ensure all items are included.
(Figure 1)



Remove wall mounting plate from lighting fixture by loosening the bottom set screw until there is enough clearance for the plate to slide out. Use 1/16" Allen wrench (not included).
(Figure 2)

! **ATTENTION: Install in accordance with local and national building and electric codes.**



Install wall mounting plate to junction box using two mounting screws (not included), ensuring tabs are away from mounting surface. Tabs must be positioned perpendicular to the floor. (Figure 3).

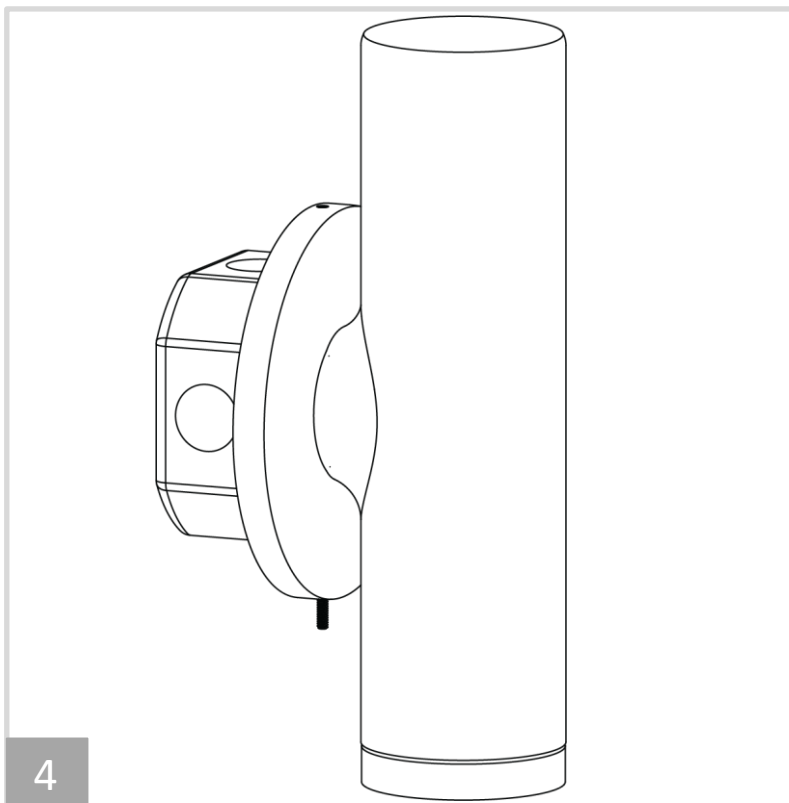
0-10V dimming option:


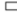



Complete wiring per included wiring diagram. If control wires (Violet VT and Pink PK) are not present in existing building wiring, cap the control wires (VT and PK) from luminaire.

Note: Dimming capabilities will be eliminated for 0-10V dimming option when control wires are capped.

ELV dimming option:

ELV dimming is done through the standard Hot (BK), Neutral (WH) and Ground (GN) wiring. Cap the additional wires (VT and PK) from luminaire.

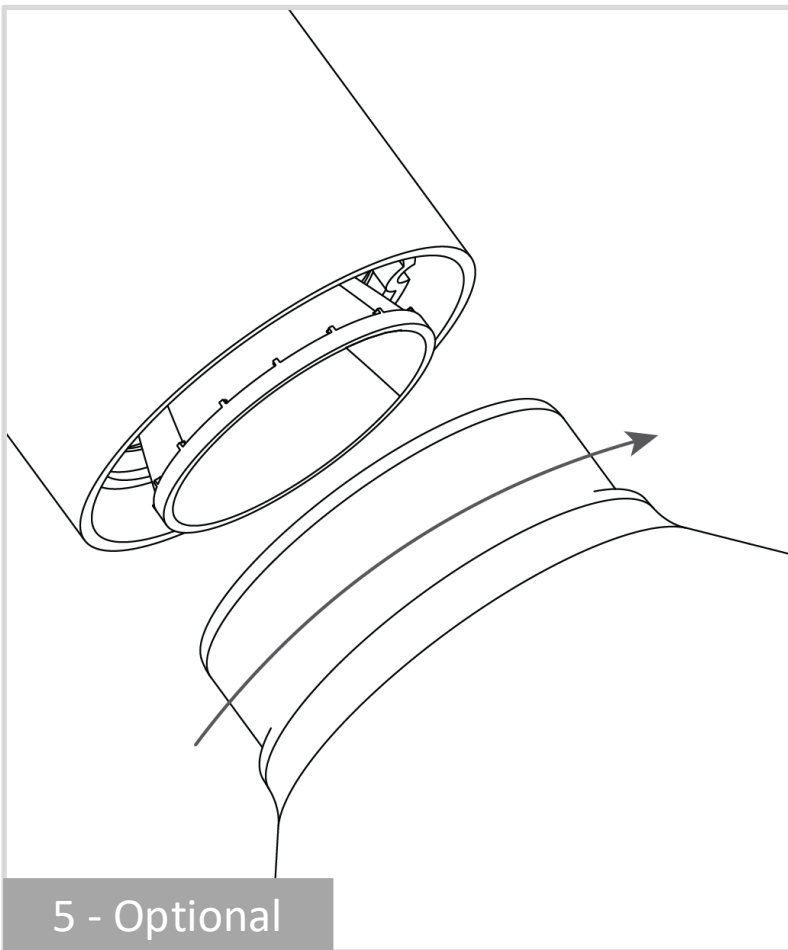


Power Supply (Input)	
	Black (BK) - Hot
	White (WT) - Neutral
	Green (GN) - Ground
	Violet (VT) - Dimming (+)
	Pink (PK) - Dimming (-)

Mount lighting fixture to wall by aligning and hooking over the upper set screw from canopy to upper tab of wall mounting plate.

Use 1/16" Allen wrench (3" or longer, not included) to tighten the bottom set screw until adequately secured. Tighten the upper set screw if necessary. (Figure 4)

! **ATTENTION: Install in accordance with local and national building and electric codes.**



Insert decorative element into luminaire and then rotate clockwise until locked in place.

! **ATTENTION: Install in accordance with local and national building and electric codes.**

GENLYTE
SOLUTIONS

a @ignify business

© 2024 Signify Holding. All rights reserved. The information provided herein is subject to change, without notice. Signify does not give any representation or warranty as to the accuracy or completeness of the information included herein and shall not be liable for any action in reliance thereon. The information presented in this document is not intended as any commercial offer and does not form part of any quotation or contract, unless otherwise agreed by Signify.

Signify North America Corporation
400 Crossing Blvd, Suite 600
Bridgewater, NJ 08807
Telephone: 800-555-0050

Signify Canada Ltd.
281 Hillmount Road,
Markham, ON, Canada L6C 2S3
Telephone: 800-668-9008

All trademarks are owned by Signify Holding or their respective owners.

IS-3DPICY2

IMPORTANT: Lisez TOUTES les directives, y compris le câblage du luminaire/capteur, les détails mécaniques et les avertissements avant de commencer l'installation.

Remarque de FCC classe A: cet équipement a été testé et jugé conforme aux limites s'appliquant aux appareils numériques de classe A, en vertu de la partie 15 des règlements de la FCC. Ces limites ont été définies pour fournir une protection raisonnable contre les interférences nuisibles quand l'équipement est utilisé dans un environnement commercial. Cet équipement génère, utilise et peut émettre de l'énergie radiofréquence et, s'il n'est pas installé ni utilisé correctement, peut causer des interférences gênantes pour les communications radio. L'utilisation de cet équipement dans une zone résidentielle peut causer des interférences nuisibles auquel cas l'utilisateur devra essayer de corriger ces interférences à ses frais.

Déclaration de conformité FCC :

Cet appareil est conforme à la partie 15 des règles de la FCC. Son fonctionnement est soumis aux deux conditions suivantes : (1) cet appareil ne doit pas provoquer d'interférences nuisibles, et (2) il doit accepter toute interférence reçue, y compris les interférences pouvant entraîner un mauvais fonctionnement.

CAN ICES (A) / NMB (A)

 **Avertissement, risque de choc**

IMPORTANT:

Déconnectez ou éteignez l'alimentation avant de procéder à toute installation, service ou maintenance.



 **Avertissement, risque de choc**

IMPORTANT:

Le luminaire doit être connecté à la mise à la terre de l'immeuble à l'aide du fil de mise à la terre inclus avant de raccorder l'alimentation de secteur.



 **Avertissement, risque de choc**

IMPORTANT:

Dans les luminaires qui offrent une batterie d'urgence la batterie utilise deux sources d'alimentation. S'assurer que les deux sont déconnectées afin d'effectuer l'entretien travail.



DIRECTIVES D'INSTALLATION

AVERTISSEMENTS ET DIRECTIVES POUR LES LUMINAIRES

IMPORTANT : CE PRODUIT DOIT ÊTRE INSTALLÉ CONFORMÉMENT AU CODE D'INSTALLATION APPLICABLE PAR UNE PERSONNE FAMILIÈRE AVEC LA CONSTRUCTION ET LE FONCTIONNEMENT DU PRODUIT AINSI QUE DES DANGERS INHÉRENTS.

POUR VOTRE PROTECTION, VOUS DEVEZ LIRE ATTENTIVEMENT ET INTÉGRALEMENT TOUS LES AVERTISSEMENTS ET TOUTES LES DIRECTIVES PRÉALABLEMENT À L'INSTALLATION, À L'UTILISATION, À L'ENTRETIEN OU À LA RÉPARATION DE L'APPAREIL. LE DÉFAUT D'OBSERVER L'EXIGENCE CI-DESSUS PEUT ENTRAÎNER DES BLESSURES, VOIRE LE DÉCÈS, ET CAUSER DES DOMMAGES MATÉRIELS. Si vous ne comprenez pas ces avertissements et directives, ou désirez des renseignements supplémentaires, veuillez communiquer avec Service à la clientèle au 800-555-0050.

- **L'installation, la réparation et l'entretien des luminaires doivent être effectués par un professionnel dûment qualifié et en conformité avec l'ensemble des lois, des règlements et des codes de l'électricité fédéraux, provinciaux et locaux. Ce professionnel doit être familiarisé avec la construction et l'utilisation de ce produit et avec tout danger connexe. Aucune personne non qualifiée ne doit tenter d'installer ou de réparer ce produit, ou d'en faire l'entretien;**
- **Afin de réduire les risques de décès, de blessure ou de dommages matériels causés par le feu, les décharges électriques, la chute de pièces, les coupures et frottements, et autres dangers, veuillez lire tous les avertissements et directives qui sont inclus avec le luminaire, sur son emballage et aussi apposés sur l'appareil lui-même;**
- **L'entretien des luminaires doit être effectué par des personnes qui sont familiarisées avec la construction et l'utilisation de l'appareil, ainsi qu'avec tous les dangers connexes.**



ATTENTION: installez en respectant le code électrique national et le code du bâtiment locaux.

DIRECTIVES D'INSTALLATION

AVERTISSEMENTS ET DIRECTIVES POUR LUMINAIRES

**AVERTISSEMENT****RISQUE D'INCENDIE, DE CHOC ÉLECTRIQUE OU DE BLESSURE**

- Débranchez ou coupez le courant avant toute intervention d'installation, de réparation ou d'entretien;
- Assurez-vous que la tension d'alimentation est adéquate en vous référant aux renseignements sur l'étiquette du luminaire;
- Effectuez toutes les connexions électriques et de mise à la terre en conformité avec les exigences du Code national de l'électricité et de tout autre règlement, loi ou code qui s'applique;
- Toutes les connexions de câblage doivent être munies de capuchons de connexion homologués UL.

**AVERTISSEMENT****RISQUE DE BLESSURE**

- Portez des gants et des lunettes de sécurité en tout temps pour retirer le luminaire de son carton d'emballage, l'installer, le réparer ou l'entretenir;
- Évitez toute exposition directe des yeux à la source d'éclairage pendant que l'appareil est allumé.

**AVERTISSEMENT****RISQUE D'INCENDIE OU DE BLESSURE**

- Gardez toute matière combustible éloignée de la DEL/lampe et de la lentille;
- N'utilisez pas cet appareil tout près d'une personne, d'une matière combustible ou d'une substance qui est sensible à la chaleur ou à la sécheresse.

**AVERTISSEMENT****RISQUE D'INCENDIE, DE DÉCHARGE ÉLECTRIQUE OU DE BLESSURE**

- Laissez refroidir la DEL/lampe et la lentille avant toute manipulation;
- Ne touchez pas au boîtier ni à la source d'éclairage;
- Ne dépassez pas la puissance maximale indiquée sur l'étiquette du luminaire;
- Suivez tous les avertissements, les recommandations, les directives et les restrictions du fabricant pour ce qui est du type de régulateur, de la position d'allumage, des emplacements d'installation et du remplacement.

**ATTENTION****RISQUE D'ENDOMMAGEMENT DU PRODUIT**

- Ne connectez jamais les luminaires et/ou leurs composants en charge quand la tension d'alimentation est activée;
- N'installez pas et ne supportez pas ces luminaires de façon que cela puisse couper la gaine extérieure ou endommager l'isolant des fils;
- Ne bloquez pas la ventilation autour de l'appareil; prévoyez de l'espace libre autour du luminaire; évitez de recouvrir le luminaire avec de l'isolant, de la mousse ou un autre matériau qui empêcherait l'appareil de refroidir par convection ou conduction;
- Veillez à ne pas dépasser la température ambiante maximale du luminaire;
- Ne modifiez pas le luminaire;
- N'utilisez le luminaire que selon l'application et l'emplacement prévu;
- Les produits DEL sont sensibles à la polarité; veillez à la bonne polarité avant d'installer l'appareil;
- Les décharges électrostatiques (DES) peuvent endommager une DEL; portez un équipement individuel de mise à la terre pendant toute intervention d'installation ou de réparation sur le luminaire;
- Ne touchez pas aux composants électriques individuels, étant donné que ceci peut causer une DES, raccourcir la durée de vie des DEL ou nuire à leur rendement;
- Certaines composantes internes du luminaire peuvent ne pas être réparables; aussi peu probable que ça pourrait l'être, si votre luminaire a besoin de réparation cessez de l'utiliser immédiatement, et communiquez avec Service à la clientèle 800-555-0050;
- Lisez toujours les directives d'installation complètes du luminaire avant de l'installer afin de connaître tous ses avertissements spécifiques supplémentaires;
- Dans le cas des luminaires à lampe DHI ou fluorescente, il est nécessaire de remplacer les lampes régulièrement afin que l'appareil continue de fonctionner de façon sécuritaire;
- **N'installez pas un produit endommagé;** le fait de manipuler et d'installer un produit endommagé peut accroître potentiellement les risques mentionnés; si le luminaire arrive endommagé et/ou incomplet, veuillez communiquer avec Service à la clientèle 800-555-0050;
- Ces directives ne sont pas censées couvrir tous les détails ou variations de l'équipement, ni prévoir toutes les éventualités possibles en rapport avec l'installation, l'utilisation ou l'entretien de l'appareil; si des renseignements additionnels sont requis, ou si des problèmes particuliers surviennent qui ne sont pas couverts suffisamment aux fins prévues par l'acheteur ou le propriétaire, veuillez soumettre la question ou le problème à Service à la clientèle 800-555-0050;
- Veuillez consulter les directives d'installation et d'entretien spécifiques du luminaire afin d'obtenir des avertissements supplémentaires et d'y lire tout énoncé réglementaire ou de la FCC qui s'applique; tout défaut de respecter l'une de ces directives pourrait annuler les garanties de l'appareil.

Entretien du luminaire

- Il est recommandé d'appliquer des programmes d'entretien régulier des luminaires;
- Il est recommandé de nettoyer l'extérieur du luminaire ainsi que son réflecteur/sa lentille;
- La fréquence de nettoyage dépend du degré de saleté ambiant et du rendement lumineux minimal jugé acceptable par l'utilisateur;
- Si l'utilisation d'eau propre n'est pas suffisante pour le nettoyage, utilisez une substance nettoyante neutre, synthétique, anti-rayures et non abrasive;
- N'utilisez jamais de substances nettoyantes alcalines et/ou acétiques;
- Veillez à ce que la substance nettoyante soit éliminée à fond en rinçant la surface à grande eau propre;
- Signify recommande d'utiliser une solution de nettoyage au pH entre 5 et 8;
- Recyclage : pour obtenir des renseignements sur la façon de recycler les produits et les composants électroniques, veuillez visiter <http://epra.ca/>

*non applicable aux projets d'entreprise ni aux projets commandés par Signify

Pour configurer un système d'éclairage avec des capteurs Interact ou des nœuds RF;

- Veillez à ce que les luminaires soient installés et alimentés.
- Téléchargez l'application Interact Pro depuis l'App Store d'Apple (pour iOS) ou le Play Store de Google.

Download the
Interact Pro app



- Enregistrez-vous en appuyant sur « **Request access** » (**demander l'accès**) sur l'écran de connexion dans l'application.
- **Cliquez ou balayez** les codes 2D ci-dessous pour accéder aux directives de configuration.

Interact Pro de base
Guide de démarrage rapide



Interact Pro
Documentation



Interact Pro avancé
Guide de démarrage rapide



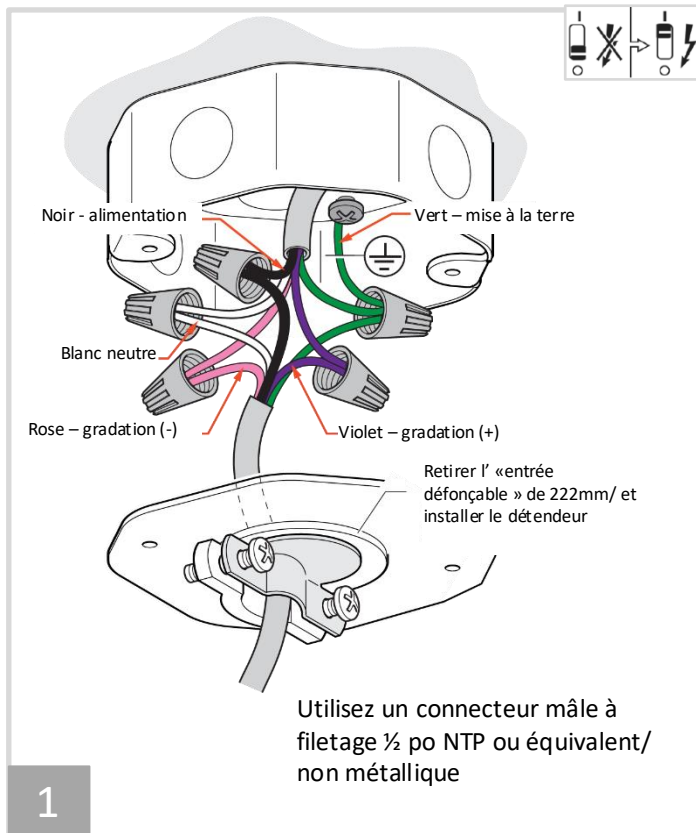
Interact Pro
Vidéo d'installation



Contactez-nous
1-800-555-0050



ATTENTION: Installez conformément aux codes locaux et nationaux de construction et d'électricité.



Effectuez le câblage conformément au schéma de câblage inclus. S'il n'y a pas de fils de contrôle (VT violet et PK rose) dans le câblage existant du bâtiment, mettez un capuchon de connexion sur les fils de contrôle (VT ET PK) du cordon d'alimentation.
REMARQUE : les capacités de gradation seront alors éliminées. (Figure 1)

Options de gradation 0-10V :

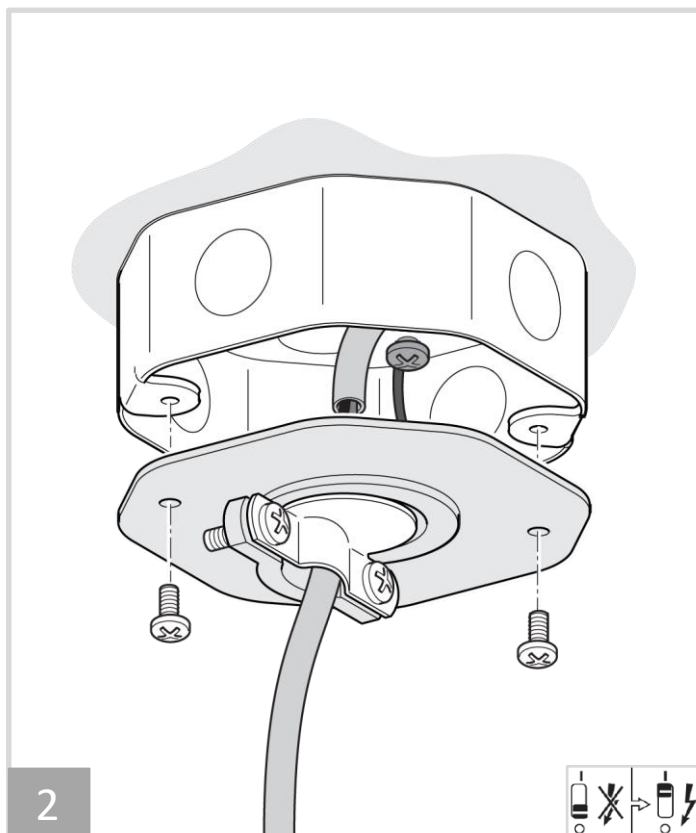
Finalisez le câblage selon le schéma de câblage.

S'il n'y a pas de fils de contrôle (VT violet et PK rose) dans le câblage existant du bâtiment, mettez un capuchon de connexions sur les fils de contrôle (VT ET PK) du cordon d'alimentation.

Remarque : les capacités de gradation seront annulées pour l'option de gradation 0-10V lorsque les fils de contrôle sont recouverts d'un capuchon de connexion.

Options de gradation ELV :

La gradation ELV est effectuée avec le câblage standard d'alimentation (BK), neutre (WH) et mise à terre (GN). Apposez des capuchons de connexion sur les fils (VT et PK) du luminaire.

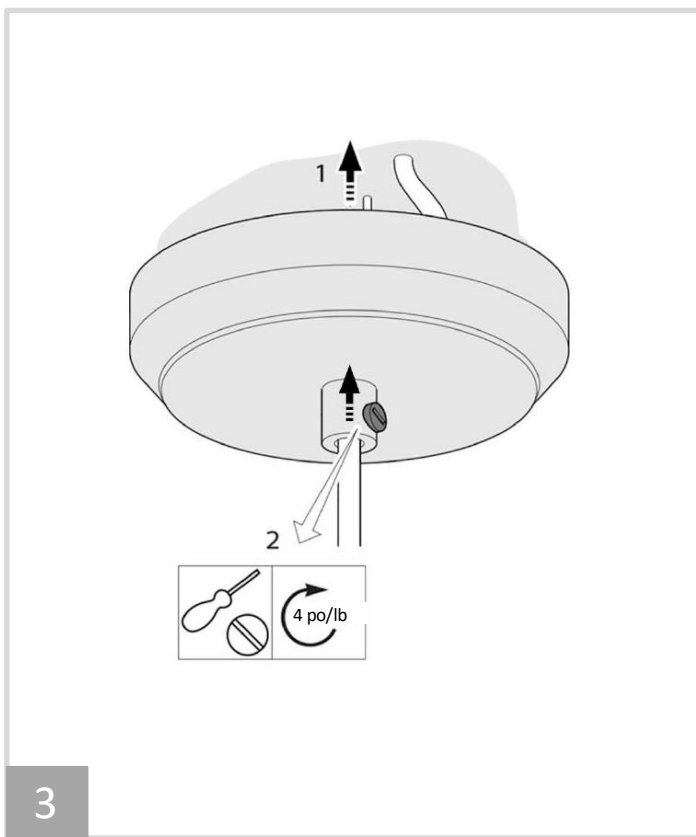


Alimentation électrique (entrée)

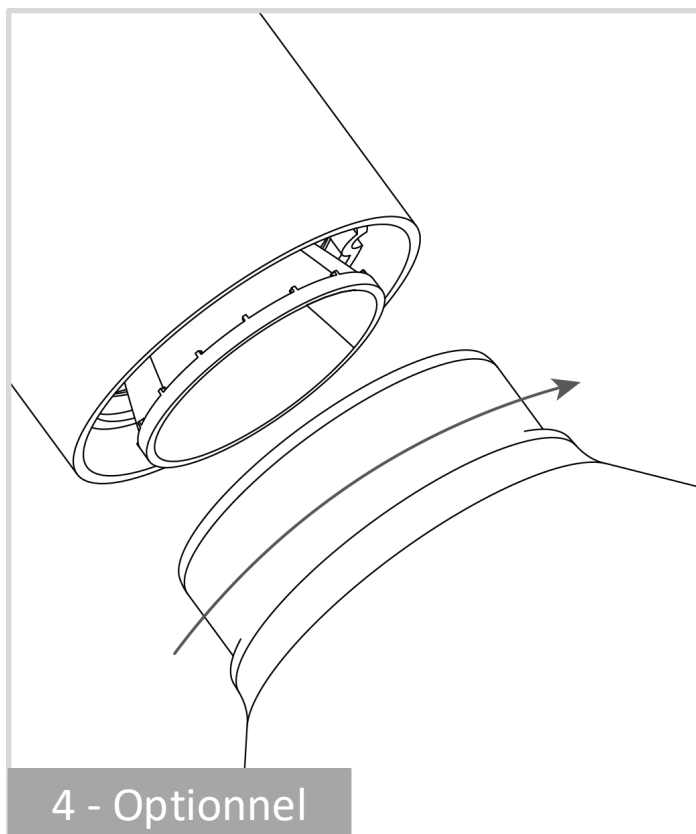
	Noir (N) - Chaud
	Blanc (B) - Neutre
	Vert (VE) - Mise à la terre
	Violet (VI) - Gradation (+)
	Rose (PK) - Gradation (-)

Fixez la plaque d'accès et l'assemblage à la boîte de jonction (non illustrée) en vous assurant que le luminaire est à la bonne hauteur de montage et que les deux vis (non incluses) sont bien serrées.
(Figure 2)

! ATTENTION : installez conformément aux codes du bâtiment et de l'électricité locaux et nationaux.

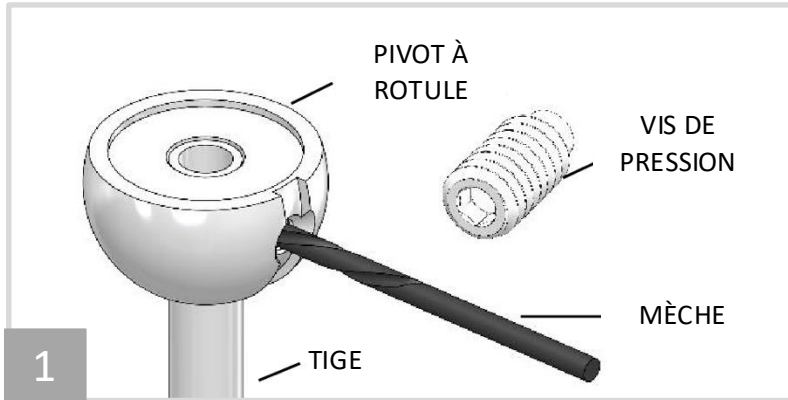


Relevez le couvercle du plafonnier et le détendeur du couvercle du plafonnier jusqu'à ce que le couvercle du plafonnier soit affleurant à la boîte de jonction ou au plafond, et que le détendeur du couvercle du plafonnier affleure le couvercle du plafonnier. (Figure 3)



Insérez l'élément décoratif dans le luminaire, puis faites-le tourner dans le sens des aiguilles d'une montre jusqu'à ce qu'il soit verrouillé en place.

! ATTENTION : installez conformément aux codes du bâtiment et de l'électricité locaux et nationaux.



Desserrez la vis de pression dans la pièce coulée et tournez le pivot à rotule de 180° en plaçant la vis de pression dans le trou nouvellement percé pour l'alignement.

(Figure 1)

Percez un deuxième trou de 3 mm (1/8 po) dans la tige à partir du trou taraudé du côté opposé.

(Figure 1)

Ébavurez les bords tranchants à l'intérieur de la tige à la suite du perçage.

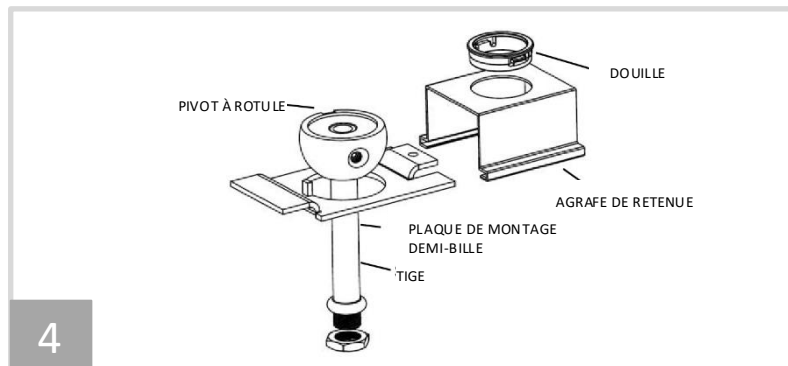
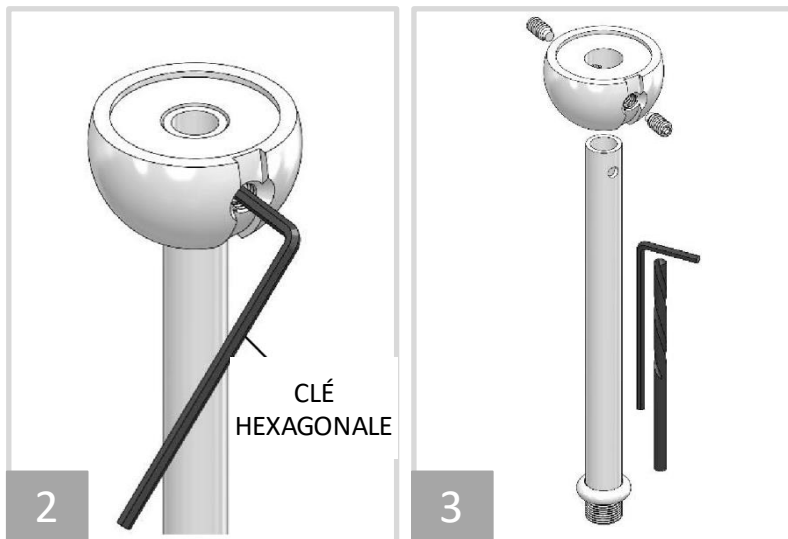
(Figure 1)

Insérez et serrez la deuxième vis de pression dans le trou taraudé avec la clé hexagonale fournie.

(Figure 2)

Les goupilles des deux vis de pression doivent s'engager dans la tige dans les trous percés.

(Figure 3)



Une fois le pivot à rotule installé, insérez la tige dans la plaque de montage à demi-bille.

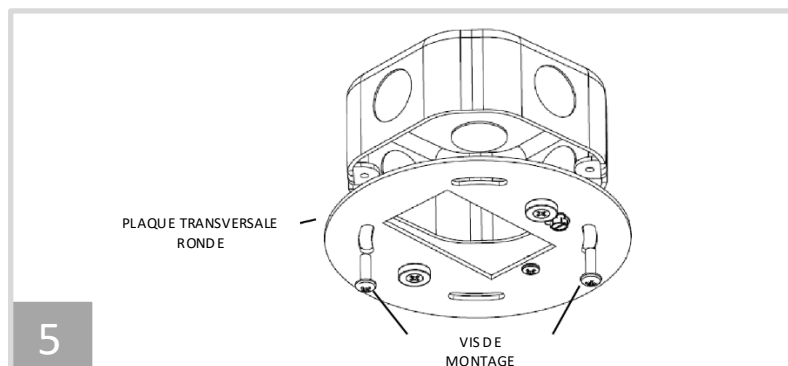
(Figure 4)

Insérez la douille dans l'agrafe de retenue.

(Figure 4)

Glissez l'agrafe de retenue dans la plaque de montage à demi-bille.

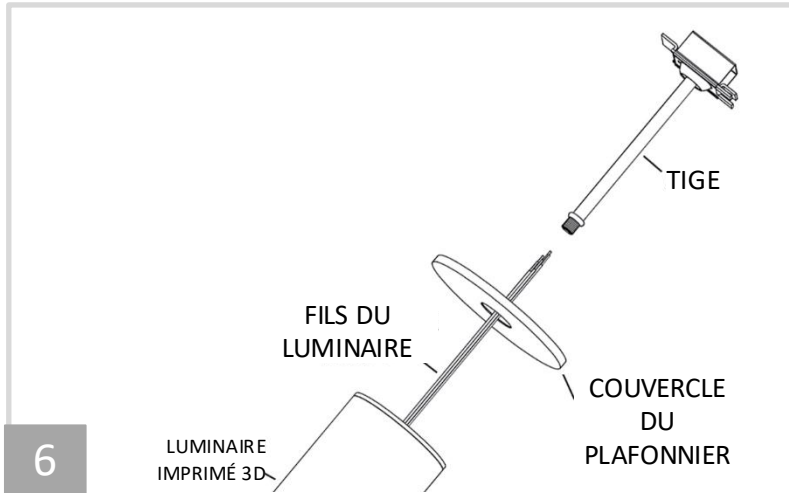
(Figure 4)



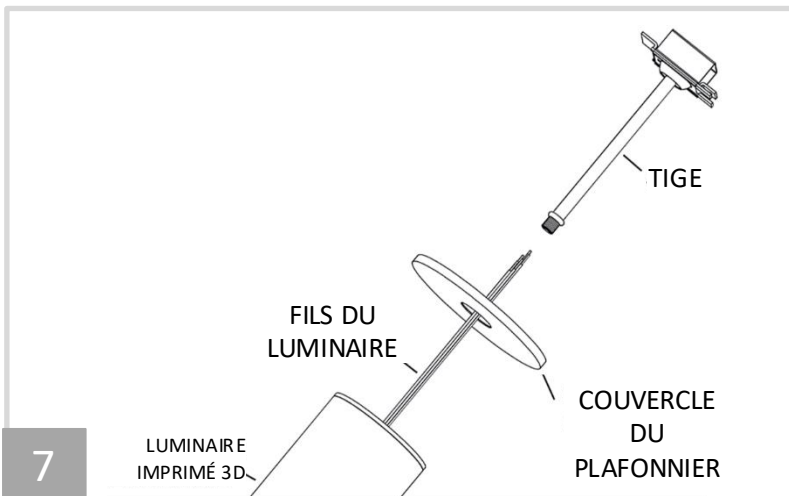
Installez la plaque transversale ronde sur la boîte de jonction en utilisant deux vis de montage (non incluses).

(Figure 5)

! ATTENTION : installez conformément aux codes du bâtiment et de l'électricité locaux et nationaux.



Insérez les fils du luminaire dans le couvercle du plafonnier, puis dans la tige de la section de préparation précédente.
(Figure 6)



Fixez la tige au luminaire imprimé 3D en la vissant dans le sens des aiguilles d'une montre.
(Figure 7)

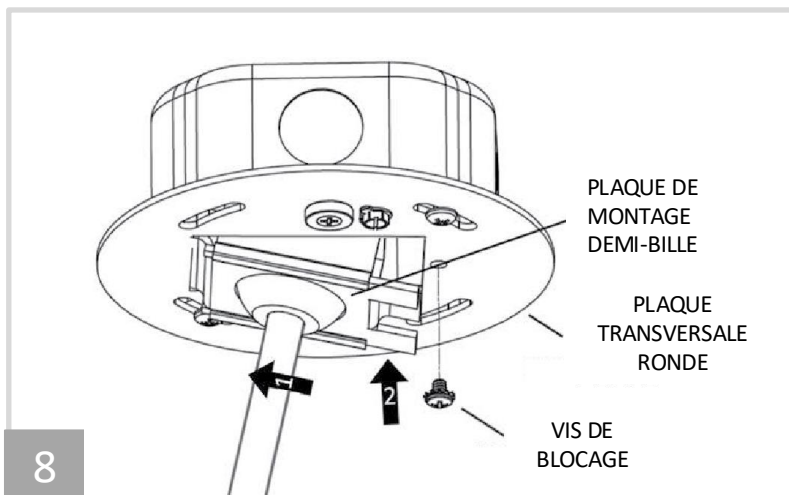
Connectez le fil neutre au fil blanc, le fil d'alimentation sous tension au fil noir, et le fil de cuivre nu et/ou le fil vert au fil de mise à la terre de inclus.
(Figure 8)

Option de gradation 0-10V :
S'il n'y a pas de fils de contrôle (VT violet et PK rose) dans le câblage existant du bâtiment, mettez un capuchon de connexion sur les fils de contrôle (VT ET PK) du cordon d'alimentation.






Remarque : les capacités de gradation seront annulées pour l'option de gradation 0-10V lorsque les fils de contrôle sont recouverts d'un capuchon de connexion.

Options de gradation ELV :

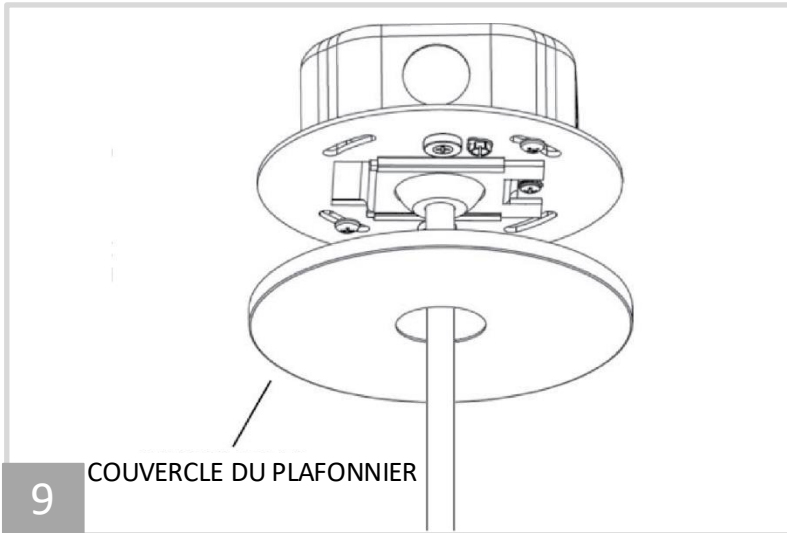
La gradation ELV est effectuée avec le câblage standard d'alimentation (BK), neutre (WH) et mise à terre (GN). Apposez des capuchons de connexion sur les fils (VT et PK) du luminaire.



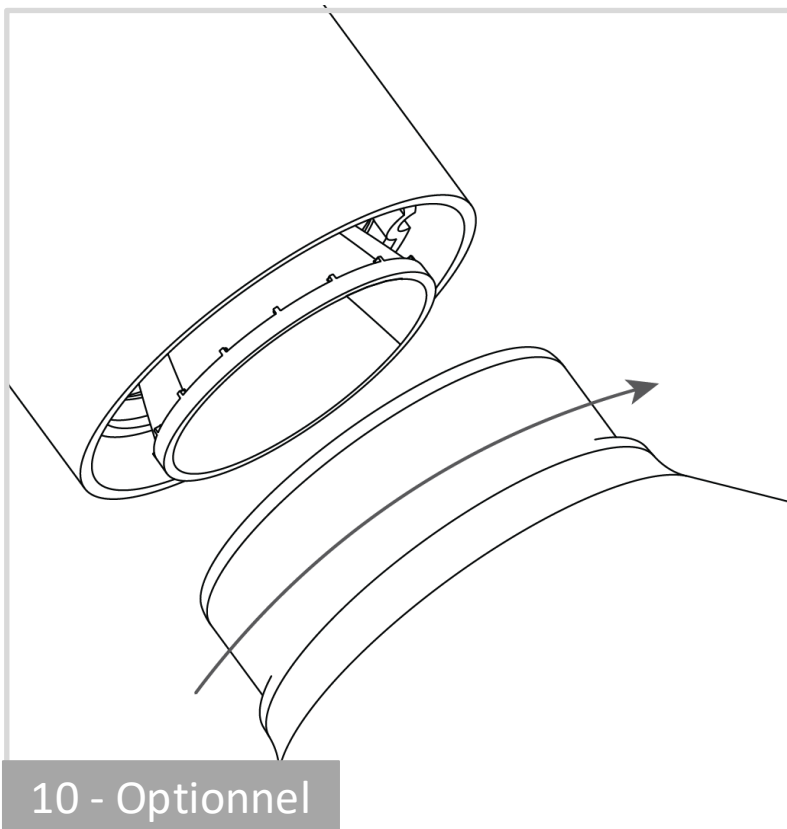
Alimentation électrique (entrée)

	Noir (N) - Chaud
	Blanc (B) - Neutre
	Vert (VE) - Mise à la terre
	Violet (VI) - Gradation (+)
	Rose (PK) - Gradation (-)

! ATTENTION : installez conformément aux codes du bâtiment et de l'électricité locaux et nationaux.



Prenez l'assemblage de l'étape 2, puis insérez, en angle, la plaque de montage à demi-bille dans la plaque transversale ronde. Poussez le côté restant vers le haut et glissez-le en place. Utilisez la vis de blocage pour les fixer en place. (Figure 9)

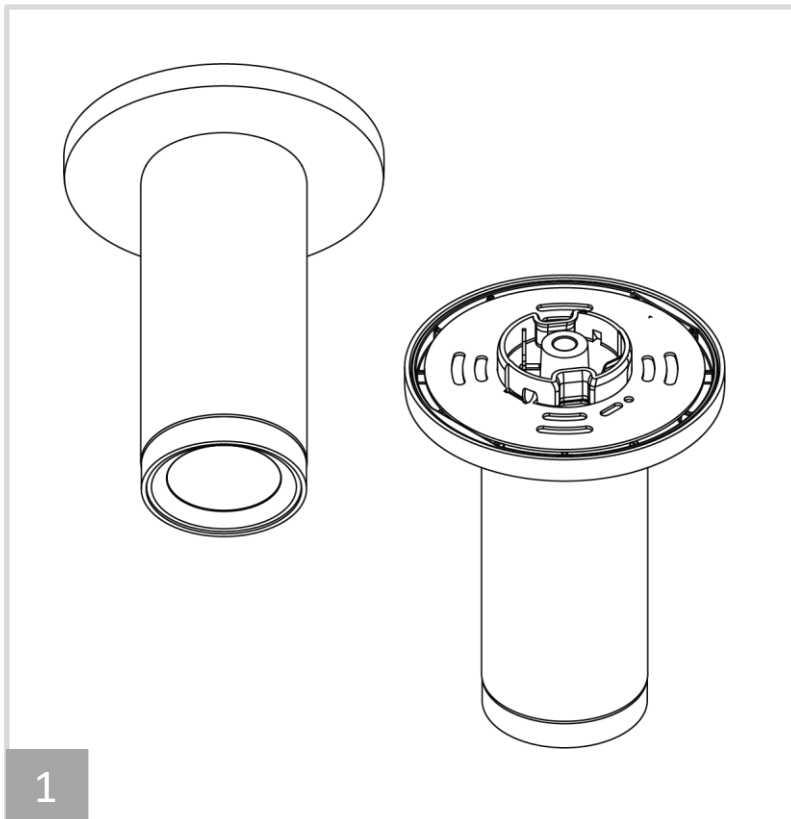


Insérez l'élément décoratif dans le luminaire, puis faites-le tourner dans le sens des aiguilles d'une montre jusqu'à ce qu'il soit verrouillé en place.

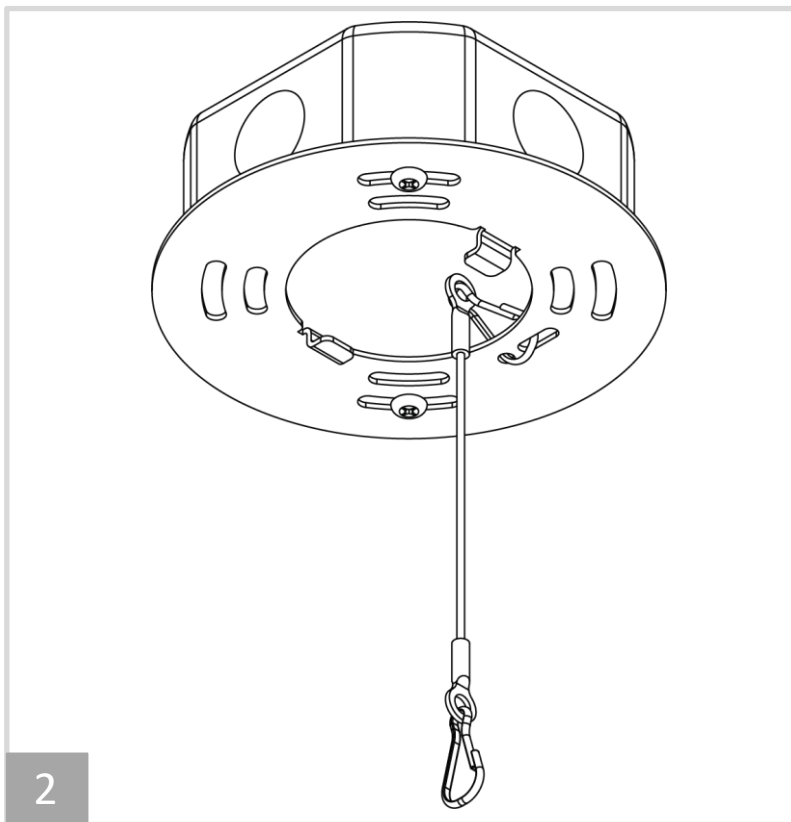
! ATTENTION : installez conformément aux codes du bâtiment et de l'électricité locaux et nationaux.

IS-3DPICY2 Montage en surface du cylindre Flex 2 po ICY

Retirez soigneusement le luminaire et son emballage de la boîte. S'assurez que tous les articles sont présents.
(Figure 1)

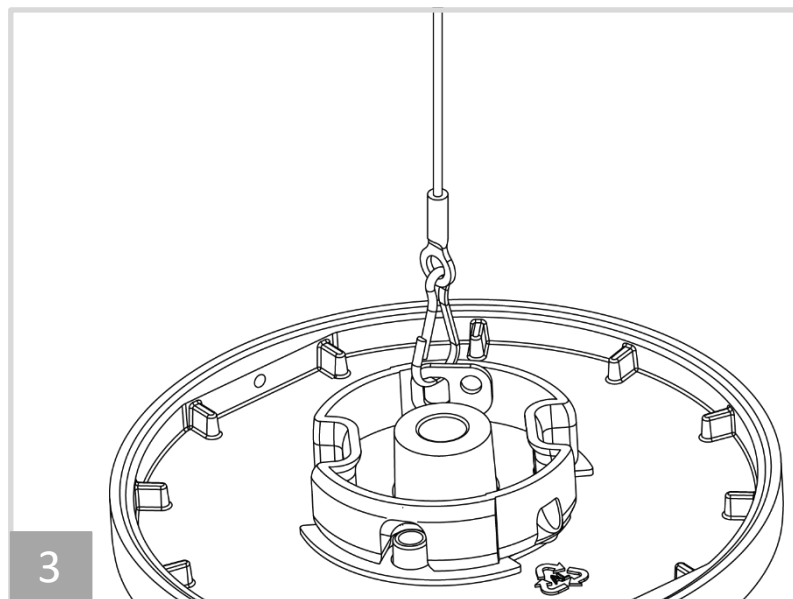


Installez la plaque de montage du cylindre sur la boîte de jonction à l'aide des deux vis de montage (non incluses) en s'assurant que les languettes se retrouvent vers la pièce et que la longe sort du trou central.
(Figure 2)



! ATTENTION : installez conformément aux codes du bâtiment et de l'électricité locaux et nationaux.

IS-3DPICY2 Montage en surface du cylindre Flex 2 po ICY



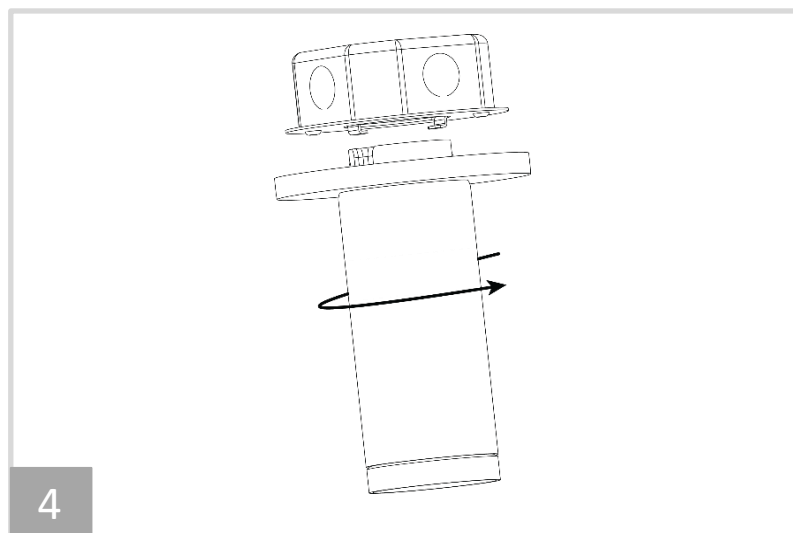
Rattacher la longe sur le luminaire.
(Figure 3).






Option de gradation 0-10V :

Finalisez le câblage selon le schéma de câblage. S'il n'y a pas de fils de contrôle (VT violet et PK rose) dans le câblage existant du bâtiment, mettez un capuchon de connexion sur les fils de contrôle (VT ET PK) du cordon d'alimentation. Remarque : les capacités de gradation seront annulées pour l'option de gradation 0-10V lorsque les fils de contrôle sont recouverts d'un capuchon de connexion.

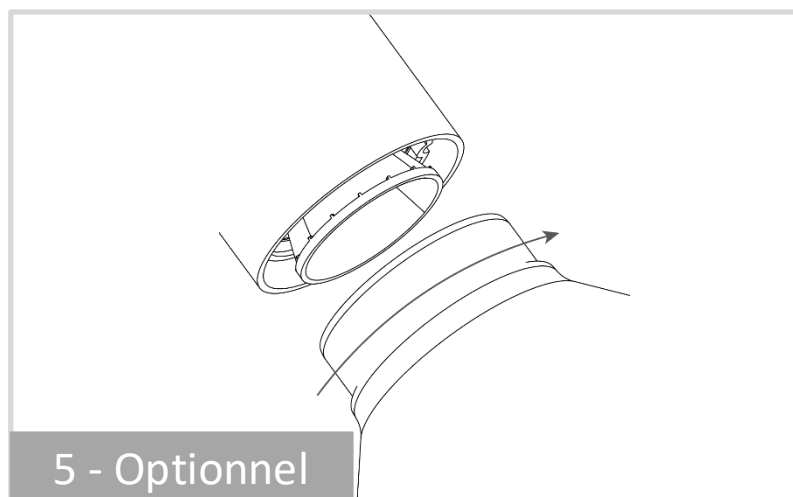
Options de gradation ELV :

La gradation ELV est effectuée avec le câblage standard d'alimentation (BK), neutre (WH) et mise à terre (GN). Apposez des capuchons de connexion sur les fils (VT et PK) du luminaire.



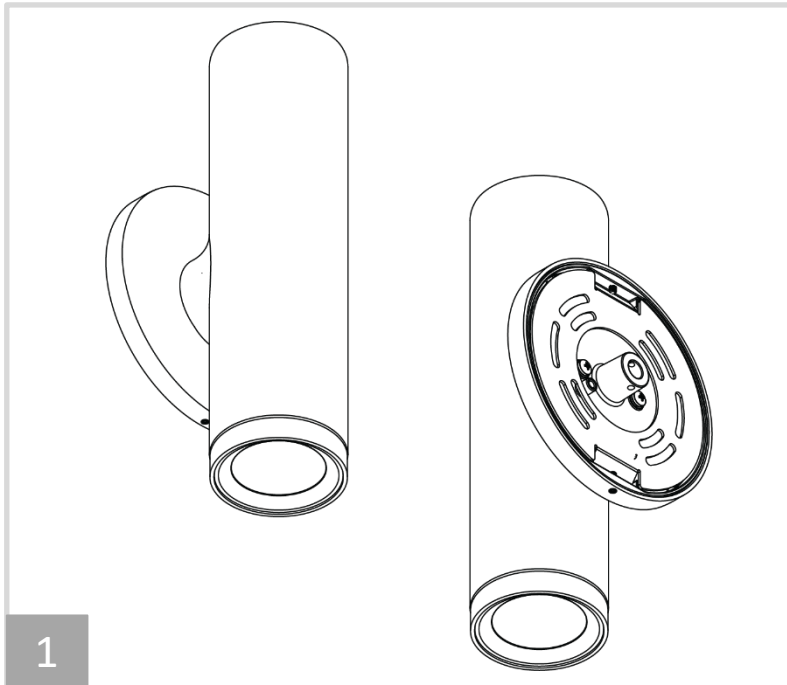
Alimentation électrique (entrée)	
	Noir (N) – Chaud
	Blanc (B) – Neutre
	Vert (VE) – Mise à la terre
	Violet (VI) – Gradation (+)
	Rose (PK) – Gradation (-)

Placez le luminaire sous la plaque de montage, puis insérez les fils et la longe autant que possible à l'intérieur de la boîte de jonction. Les fils et la longe ne peuvent pas ressortir du trou central de la plaque de montage. Alignez les languettes de la plaque de montage dans le luminaire. Rapprochez le luminaire de la plaque de montage puis poussez vers la boîte de jonction et tournez dans le sens des aiguilles d'une montre. (Figure 4)

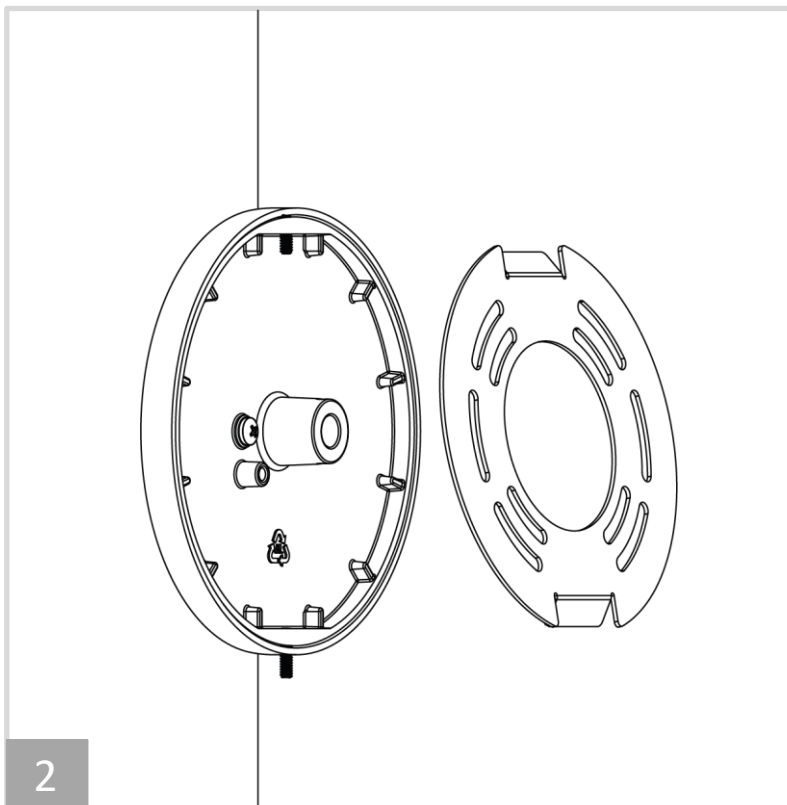


Insérez l'élément décoratif dans le luminaire, puis faites-le tourner dans le sens des aiguilles d'une montre jusqu'à ce qu'il soit verrouillé en place.

! ATTENTION : installez conformément aux codes du bâtiment et de l'électricité locaux et nationaux.

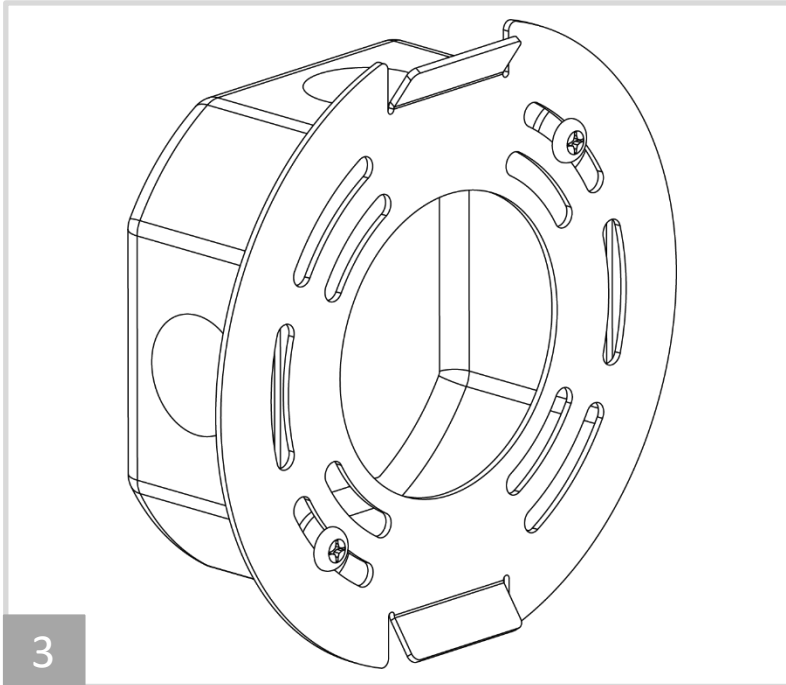


Retirez soigneusement le luminaire et son emballage de la boîte. S'assurez que tous les articles sont présents.
(Figure 1)



Retirez la plaque de montage mural du luminaire en desserrant le vis de pression jusqu'à ce qu'il y ait assez d'espace pour sortir la plaque. Utilisez une clé hexagonale de 1,59 mm (1/16 po) (non incluse).
(Figure 2)

! ATTENTION : installez conformément aux codes du bâtiment et de l'électricité locaux et nationaux.



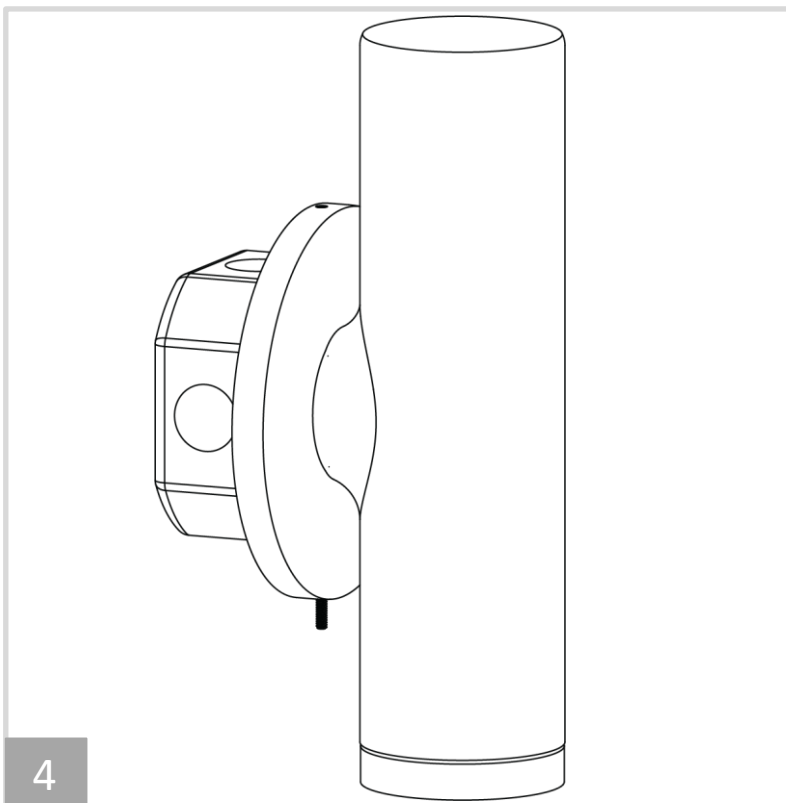
Installez la plaque de montage murale sur la boîte de jonction à l'aide des deux vis de pression (non incluses) en s'assurant que les languettes sont bien éloignées de la surface de montage. Les languettes doivent être perpendiculaires au plancher. (Figure 3).

Option de gradation 0-10V :






Finalisez le câblage selon le schéma de câblage. S'il n'y a pas de fils de contrôle (VT violet et PK rose) dans le câblage existant du bâtiment, mettez un capuchon de connexion sur les fils de contrôle (VT ET PK) du cordon d'alimentation. Remarque : les capacités de gradation seront annulées pour l'option de gradation 0-10V lorsque les fils de contrôle sont recouverts d'un capuchon de connexion.

Options de gradation ELV :

La gradation ELV est effectuée avec le câblage standard d'alimentation (BK), neutre (WH) et mise à terre (GN). Appez des capuchons de connexion sur les fils (VT et PK) du luminaire.



Alimentation électrique (entrée)

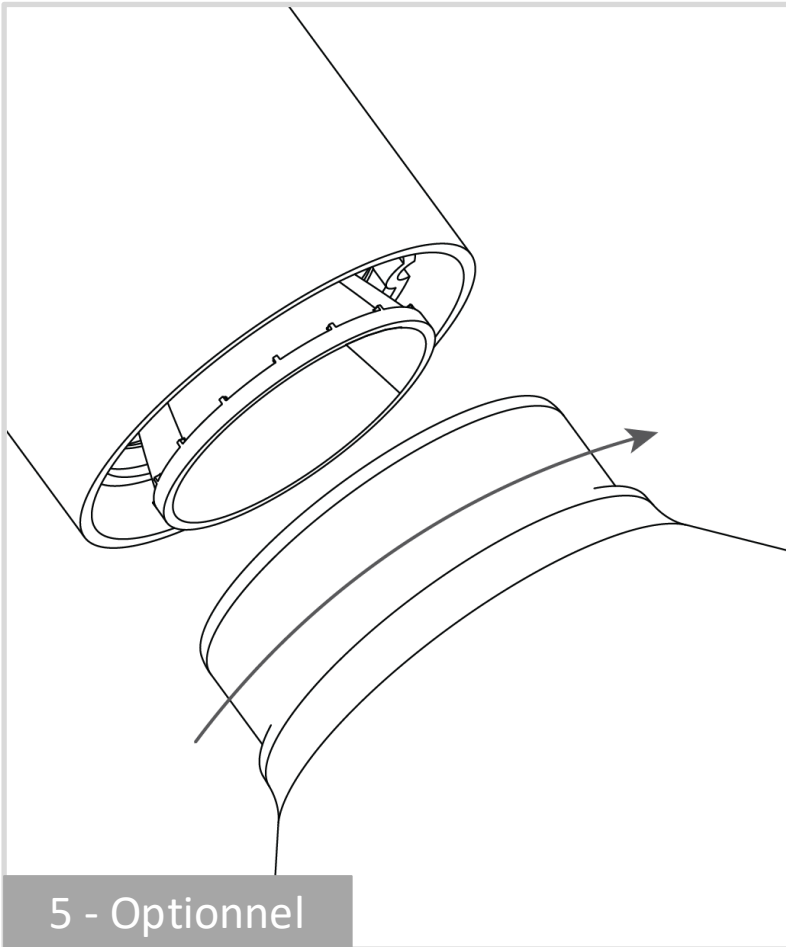
	Noir (N) - Chaud
	Blanc (B) - Neutre
	Vert (VE) - Mise à la terre
	Violet (VI) - Gradation (+)
	Rose (PK) - Gradation (-)

Installez le luminaire sur le mur en alignant et suspendant languette supérieure de la plaque murale sur la vis de pression supérieure du plafonnier.

Utilisez une clé hexagonale de 1,59 mm (1/16 po) (76 mm [3 po] ou plus longue) pour serrer la vis de pression inférieure jusqu'à ce qu'elle soit sécuritaire. Resserrez la vis de pression supérieure si nécessaire.

(Figure 4)

! ATTENTION : installez conformément aux codes du bâtiment et de l'électricité locaux et nationaux.



Insérez l'élément décoratif dans le luminaire, puis faites-le tourner dans le sens des aiguilles d'une montre jusqu'à ce qu'il soit verrouillé en place.

! ATTENTION : Installez conformément aux codes du bâtiment et de l'électricité locaux et nationaux.

**GENLYTE
SOLUTIONS**

une entreprise de 

© 2024 Signify Holdings. Tous droits réservés. Les informations contenues dans le présent document sont susceptibles d'être modifiées sans préavis. Signify ne fait aucune déclaration ni ne donne aucune garantie quant à l'exactitude ou à l'exhaustivité des informations contenues dans le présent document et ne sera pas responsable de toute action fondée sur celles-ci. Les informations présentées dans ce document ne constituent pas une offre commerciale et ne font partie d'aucun devis ou contrat, sauf accord contraire de Signify.

Signify North America Corporation
400 Crossing Blvd, Suite 600
Bridgewater, NJ 08807
Téléphone : 800-555-0050

Signify Canada Ltd.
281 Hillmount Road,
Markham, ON, Canada L6C 2S3
Téléphone : 800-668-9008

Toutes les marques déposées sont la propriété de Signify Holding ou de leurs propriétaires respectifs.