



Ledalite's **DecoForm** provides easy to specify lighting with a myriad of aesthetic Top Tile options that can be added, removed, or changed on-site. Optional aircraft cable suspension is available to create unique space designs either alone or with the recessed model.

Project: _____
 Location: _____
 Cat.No: _____
 Type: _____
 Line ID: _____ Qty: _____
 Notes: _____

Ordering Guide

quickship options

Example: DF22D1STL93540A1DSNRA

Family	Size	Version ³	Configuration	Source	CRI/CCT ¹	Lumens ^{1,6}	Optics	Wiring ^{2,3,6}
DF DecoForm	22 2'x2'	D1 Standard T-Grid C1 Standard T-Grid + Chicago Plenum P1 Suspended	ST Standalone	L LED	940 CRI 90, 4000K 935 CRI 90, 3500K 930 CRI 90, 3000K 927 CRI 90, 2700K 950 CRI 90, 5000K	60 6000lm 55 5500lm 50 5000lm 45 4500lm 40 4000lm 35 3500lm 30 3000lm 25 2500lm 20 2000lm 15 1500lm	A Silk Lens Other options may be ordered in increments of 100lm from 1500 to 6000lm	1 1 Circuit B 1 Circuit + Battery Pack G 1 Circuit + GTD 120V H 1 Circuit + GTD 277V
Voltage ³		Driver (Dim %) ³		Option		Integral Sensors & Control System ^{4,6}		
D UNV 120-277V 3 347V	E Advance Xitanium 0-10V (1%) D Advance Xitanium DALI-2 D4i (1%) H Lutron EcoSystem LDE1 (<1%, FtB)	N None P Pre-Installed Flex Whip (6', 6C)	NN No Integral Sensor					
D UNV 120-277V	S Advance Xitanium SR, DALI-2 D4i (1%, Dim-to-off, Fade-to-on)		RA Interact Pro Radio Node (RF only) AR Lutron Athena AWRN (RF only) VR Lutron Vive VRF (RF only) NN No Integral Sensor (for remote sensor)					
D UNV 120-277V	A Advance Xitanium 0-10V + Aux (1%, Dim-to-off, Fade-to-on)		AR Lutron Athena AWRN (RF only) NN No Integral Sensor (for remote sensor)					

If Suspended

Example: DF22P1STL93540A1DENNNB, A1-48

Outer Finish	Mount Type ^{7,8}	Ceiling Type ⁷	Length ^{7,8}
W White	A Aircraft Cable Mount	1 Non-accessible ceiling, 0°-15° Slope Mount	24 24"
T Titanium Silver	S Single/Monopoint Mount	2 T-Grid, Fixed Position Mount	48 48"
B Black		3 Non-accessible ceiling, 0°-90° Slope Mount	96 96"
G Graphite Gray		5 T-Grid 24" Span Mount, (non tegular tile only)	144 144"
C Custom		6-1 T-Grid On-Grid Mount 15/16", (non tegular tile only)	192 192"
		6-2 T-Grid On-Grid Mount 9/16", (non tegular tile only)	240 240"
		6-3 T-Grid On-Grid Mount 9/16" x 5/16", (slot tee & tegular tile)	

Note: Due to continuing product improvements, Ledalite reserves the right to change the specifications without notice. Exceptions apply, not all options available with every configuration.

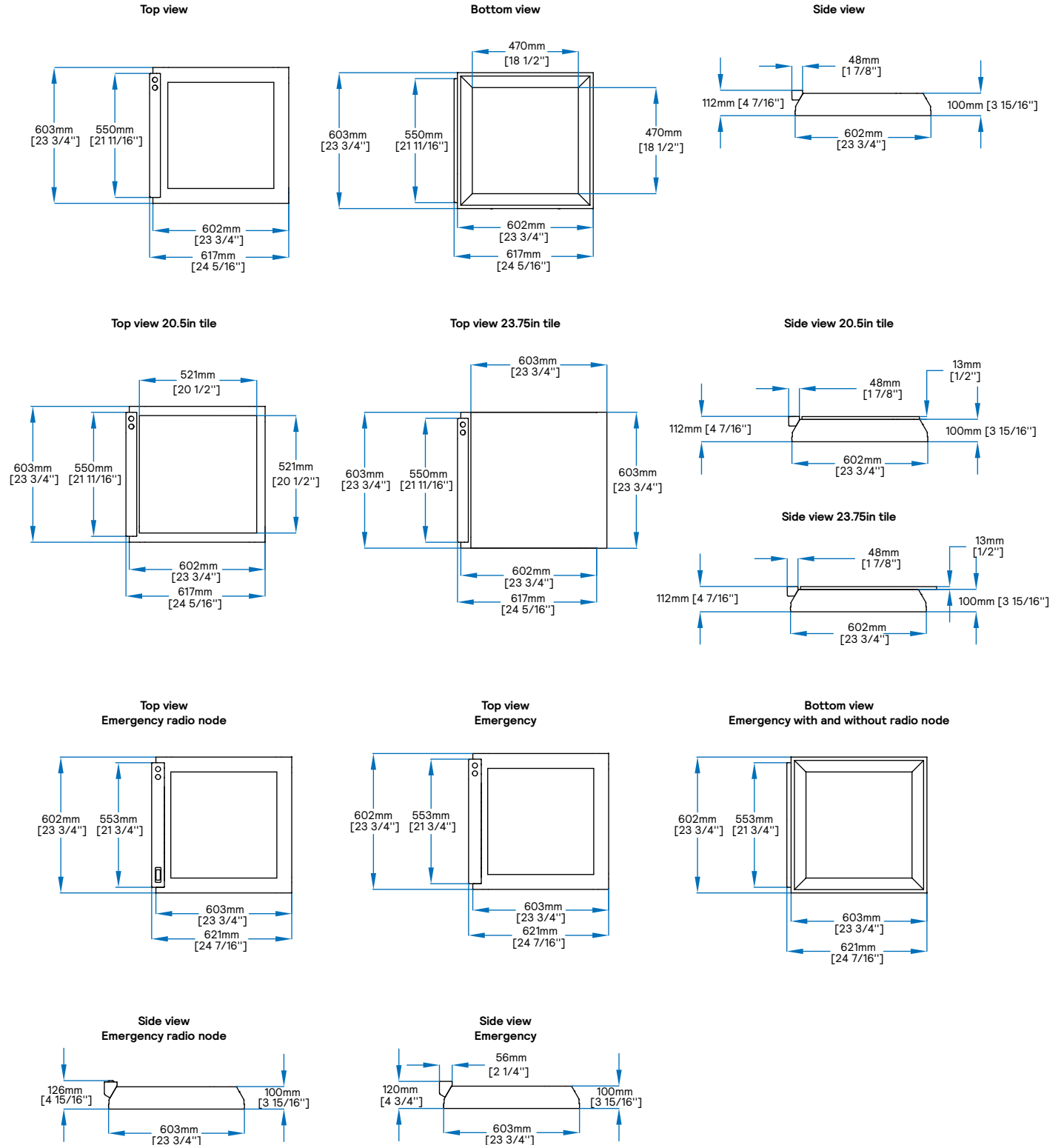
- Nominal values within a range. Some lumen packages not available in all configurations (6), consult photometry data for CRI/CCT, lumens & distribution of chosen configuration.
- Not all wiring types are available with all configurations. Consult Ledalite for a complete list of available options.
- 347V only available with E - Advance Xitanium 0-10V (1%) driver option. GTD not available with sensors, 347V, and only with E, D, & H drivers. Chicago Plenum not available with Integral Sensors
- Interact Pro options may require an IRT9015 Interact commissioning remote or other separate controls hardware by Signify.
- Other options not shown here may also be possible via a custom request, please consult factory. Extended lead times and minimum order quantities may apply.
- Integral Battery Pack, Lutron Vive, and Lutron Athena options are limited to 4500lm max. Consult factory for alternatives if higher lumen packages are required with a Battery Pack

- Aircraft cable suspension length is from ceiling to top of luminaire. Single point suspension length is from ceiling to mono point gripper. Standard power cord is white. Black or clear power cords available on request. Standard canopies are white. A1, A2, A3 & A5 canopies can be powder coated to match fixture or ceiling color on request.
- Aircraft cable suspension length is from ceiling to top of luminaire. Single/Monopoint suspension length is from ceiling to mono point gripper and requires a minimal additional 43.5" of suspension length (included) from the luminaire to the mono point gripper.

DLC Note: Not all product variations listed on this page are DLC qualified. To ensure that a specific model is qualified, visit www.designlights.org/search

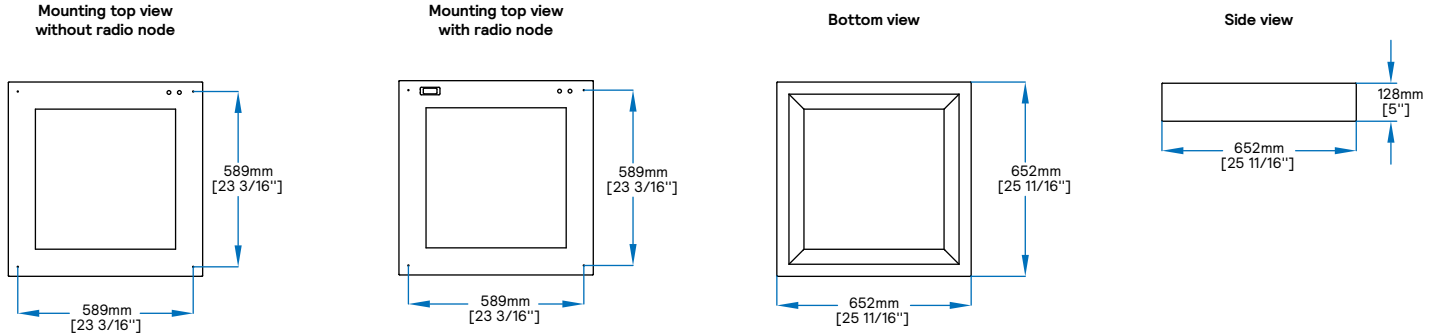
DecoForm Architectural Recessed & Suspended

Recessed Dimensions



DecoForm Architectural Recessed & Suspended

Suspended Dimensions



Mounting details

Recessed Flat T-Grid (Standard)

Integrates with most common T-Grid types. Works with 9/16" and 15/16" flat T-Grid ceilings.

Recessed Slot T-Grid

Can be used with slot T-Grid ceilings. For 9/16" slot T-Grid ceilings, fixture will sit 5/16" above bottom of T-Bar.

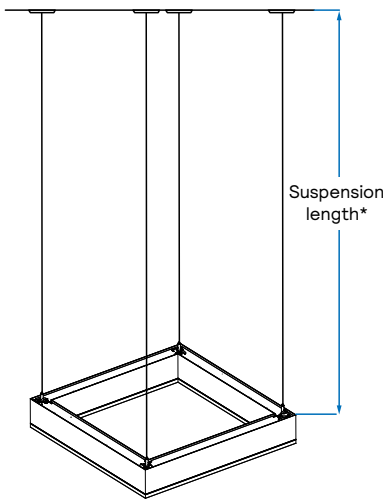
Suspended Multi-Point or Single-Point

Available in multi-point (4 cables, 4 ceiling mounts) or single-point (4 cables, 1 ceiling mount) options for hard/inaccessible or T-Grid ceilings.

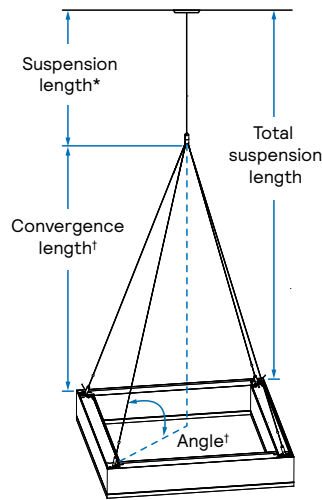
Single-point mount requires an additional 43 3/8 to 57 15/16" [1101-1471mm] of total suspension length for the 4 cables of the luminaire to converge to the single-point gripper.

Total suspension length = suspension length (per the order guide) + convergence length (adjustable between 43-3/8" to 57-15/16").

Multi point mounting



Single point mounting



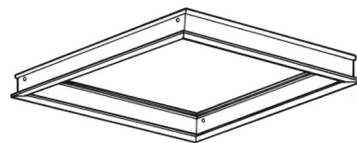
Drywall Trim Mounting Frame

The Ledalite drywall trim mounting frame assembly is designed to permit use of grid (NEMA G) fixtures in drywall or ceilings requiring flanges. Mounting frame is ordered separately and compatible with standalone recessed product. Frame can be installed directly to a solid frame (such as wood) or via hanger wires. Finish is white.

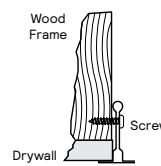
Extruded aluminum construction with mitered corners. Includes screws for complete assembly.

Drywall Frame Ordering Code	Size
300DK03	2'x2'

More information available [here](#).

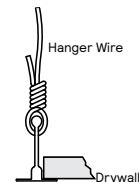


Wood Frame



Wood frame and screws supplied by others.

Hanger Wire



Hanger wires supplied by others.

Notes for single point mounting:

Total suspension length = Suspension length * + Convergence length †

† Convergence length will increase with larger inclination angle within the ranges shown.

DecoForm Architectural Recessed & Suspended

Top Tile details

Available from Ledalite or 3rd parties

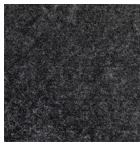
DecoForm works with either 20.5"x20.5" or 23.75"x23.75" square tiles up to 0.5" thick and no more than 5 lbs in a variety of materials. Ledalite offers a selection of Acoustic, Acrylic, and Metal backings.

When using 3rd party or customer supplied tiles it is the customer's responsibility to ensure the installation complies with all local and national building codes.

Acoustic



Smoke



Slate



Ivory

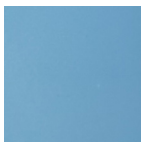


Chambray

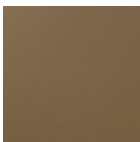


Olive

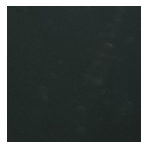
Acrylic



Pale Blue



Bronze



Gray Smoke

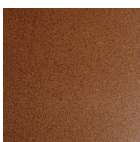


Sky Blue

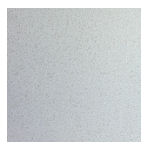
Stone Finish Metal



Natural Concrete



Red Brick

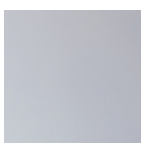


Portland Stone

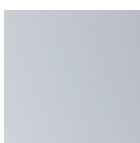


Sandstone

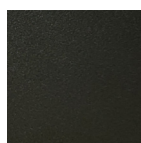
Standard Finish Metal



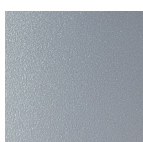
High Gloss White



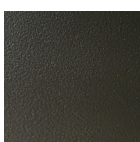
White



Black



Titanium Silver



Graphite Gray



Air Return White

Custom

Consult factory

Top Tiles

quickchip options

Catalog Code	Description	Compatibility		
		Standard & Slot T-Grid (DT)	Chicago T-Grid (CI)	Suspended (PI)
DFT0100	Acoustic - Smoke	✓		✓
DFT0101	Acoustic - Slate	✓		✓
DFT0102	Acoustic - Ivory	✓		✓
DFT0103	Acoustic - Chambray	✓		✓
DFT0104	Acoustic - Olive	✓		✓
DFT0100-CVR	Acoustic - Smoke & Cover		✓	
DFT0101-CVR	Acoustic - Slate & Cover		✓	
DFT0102-CVR	Acoustic - Ivory & Cover		✓	
DFT0103-CVR	Acoustic - Chambray & Cover		✓	
DFT0104-CVR	Acoustic - Olive & Cover		✓	
DFT0200	Acrylic - Pale Blue			✓
DFT0201	Acrylic - Bronze			✓
DFT0202	Acrylic - Gray Smoke			✓
DFT0203	Acrylic - Sky Blue			✓
DFT0200-CVR	Acrylic - Pale Blue & Cover	✓	✓	✓
DFT0201-CVR	Acrylic - Bronze & Cover	✓	✓	✓
DFT0202-CVR	Acrylic - Gray Smoke & Cover	✓	✓	✓
DFT0203-CVR	Acrylic - Sky Blue & Cover	✓	✓	✓
DFT0300	Metal - Natural Concrete	✓	✓	✓
DFT0301	Metal - Red Brick	✓	✓	✓
DFT0302	Metal - Portland Stone	✓	✓	✓
DFT0303	Metal - Sandstone	✓	✓	✓
DFT0400	Metal - High Gloss White	✓	✓	✓
DFT0401	Metal - White	✓	✓	✓
DFT0402	Metal - Black	✓	✓	✓
DFT0403	Metal - Titanium Silver	✓	✓	✓
DFT0404	Metal - Graphite Gray	✓	✓	✓
DFT0500	Metal - White - Air Return	✓		✓
DFT0501	Metal - Black - Air Return	✓		✓
DFT100C	Acoustic - Custom Color	✓		✓
DFT100C-CVR	Acoustic - Custom Color & Cover		✓	
DFT200C	Acrylic - Custom Color			✓
DFT200C-CVR	Acrylic - Custom Color & Cover	✓	✓	✓
DFT400C	Metal - Custom Color	✓	✓	✓
DFT01CVR	Acoustic - 1/2" Cover Only		✓	
DFT02CVR	Acrylic - 1/8" Cover Only	✓	✓	✓

DecoForm Architectural Recessed & Suspended

Specifications

Optical System

Silk - Lambertian: A diffuse one-piece white acrylic lens delivers a flawlessly uniform luminous surface with performance typical of troffer type lighting applications. The same optical system is used on both Recessed and Suspended models.

Housing

20 gauge cold-rolled steel, pre and post painted.

Finish

Main housing consists of an electrostatically applied, thermally cured polyester powder coat sandtex finish. Recessed color is white. Suspended outer housing color can be used with all standard Ledalite paint colors, including custom options.

Top Tiles

General notes: Top Tiles provided by Ledalite at a nominal size of 20.5"x20.5" square. Recessed model can accept both 20.5" square tiles or 23.75" square tiles so that standard 2'x2' type ceiling tiles or materials do not need to be cut or modified to be placed on DecoForm.

When cutting ceiling tiles (which may void warranty of tile) is required due to plenum or installation requirements - a metal tile such as DFT0400 can also be used as a template.

Customer supplied Top Tiles not provided by Ledalite can be used on DecoForm. Is not recommended to use any breakable materials such as glass. Top Tile must not exceed maximum 5lbs (2.2 kg). Refer to installation sheets for more details.

Acoustic Top Tiles: DecoForm Acoustic tiles are 1/2" (12mm) thick and have an NRC (Noise Reduction Coefficient) of 0.45 to 0.95 (scale is 0 to 1). Material is 100% PET.

Acrylic Top Tiles: Can be used with or without a sheet metal backing (provided by Ledalite) for different aesthetic and functional purposes. Refer to national and local building codes as to what is appropriate. In most applications a sheet metal backing is recommended for Recessed products inside a plenum, and optional for non-plenum and suspended applications.

Mounting

Recessed: Product is compatible with NEMA Type G, NFG, NFSG, and SS grid ceilings. Compatible with 15/16" lay-in acoustical ceilings using exposed grid suspension (NEMA type G). For 9/16" slot T-grid ceilings, fixture will sit 5/16" above bottom of T-grid system. Integrated tabs are provided for compatibility with different T-Grid heights and fastening locations. Optional drywall trim mounting frame can be fastened to a wood frame or with hangar wire. Continuous row mounting not available with drywall trim mounting frames.

Suspended: Available as Multi Point Mount (4 mounts) and Single Point Mount (1 mount). Single point mount requires an additional 4'-2" suspension between the luminaire and the mono-point gripper. It is not recommended to use Single Point Mounting near any air flow as the product can sway or twist. Mounting height is fully adjustable to the maximum length of the aircraft cable suspension chosen.

Weight

Size	Typical	Maximum
2'x2', Recessed	12 lbs.	15 lbs.
2'x2', Suspended	21 lbs.	24 lbs.

Electrical & Servicing

Fixtures are factory pre-wired and tested for all circuits and emergency battery packs where specified. Drivers are field serviceable and replaceable from the side of the fixture. Wire knock-outs available on both ends of the driver box for field-installable mains and dimming thru-wiring across multiple fixtures.

Optional armored cable flex whips are available on Recessed versions in 6' lengths (option code P).

Integral Battery Packs and GTDs

Bodine Battery Pack, 90 min, 10W, Class 2 rated output. Battery pack lumen output = 10W x luminaire efficacy x 1.1. Typical output: 1300lm.

Bodine GTD (generator transfer device) is for use with a generator or central inverter. Requires connection to an emergency source derived from a UL 1008 Listed transfer switch.

Lumen Maintenance

LEDs have been tested by the manufacturer in accordance with IESNA LM-80-08. At an ambient temperature of 25°C, the LED lumen maintenance expectation according to IES TM-21-11:

L_{80} (12k) >72,000 hrs (Reported methodology).

The below calculated lifetime represents estimations commonly used. PS-10-18: IES Position on LED Product Lifetime Prediction, explains proper use of IES TM-21 and LM-80.

L_{70} 135,000 hrs (Calculated).

Source Color

LEDs rated for color rendering of:

$CRI R_a \geq 92$, $R_g \geq 56$, $G_g \geq 98$, $C_g \geq 92$

IES TM-30-18 : $R_f \geq 90$, $R_{f,hl} \geq 88$, $R_g \geq 98$, $R_{cs,hl} \geq -5\%$

Detailed SPD and TM-30-18 reports are available on the last page of this spec sheet by clicking the **PDF** text in the **Photometry Report** column of the photometric performance summary tables.

Fixture to fixture color accuracy within 3 SDCM.

Environment

Rated for dry or damp locations in operating ambient temperatures of 25±5°C (77±9°F).

Many luminaire components, such as reflectors, refractors, lenses, and LEDs are made from various types of plastics which can be adversely affected by airborne contaminants. If sulfur-based chemicals, petroleum-based products, cleaning solutions, or other contaminants are expected in the intended area of use, consult factory for compatibility. Damage caused by sulfur, chlorine, petroleum-based solution or other contaminants are not covered under warranty. Not suitable for natatorium environments.

Warranty

Standard 5-year luminaire limited warranty including LED light engine and driver. Warranties up to 10-years are available upon special request. Visit www.signify.com/warranties under "Indoor Professional Luminaires" for more information.

QuickShip

10-day QuickShip available for hundreds of configurations when requested at ordering time. This service is offered at no additional charge. More information available [here](#).

DecoForm Architectural Recessed & Suspended

Specifications (continued)

Approvals

Conforms to UL STD 1598 & certified to CSA STD C22.2 No. 250.0
City of Chicago Approved CCEA (requires Version C1 & Chicago Plenum Top Tiles by Ledalite)

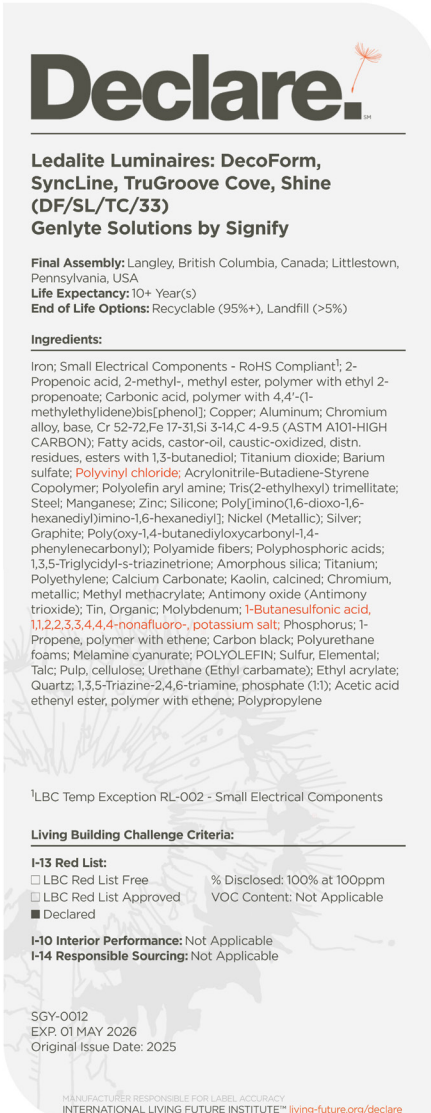
Type IC Rated

DLC Standard under family RRRYNV

DLC Note: Not all product variations listed on this spec sheet are DLC qualified. To ensure that a specific model is qualified, visit www.designlights.org/search

Luminaires that include Interact controls options can help meet the requirements in 90.1-2022, IECC 2021, and CA T24 2022 for a maximum of 20 min. time out for occupancy controls.

DecoForm is Declare label certified. More information on the DecoForm label can be found on www.declare.living-future.org and through the Declare ID [SGY-0012](#).



Declare.

Ledalite Luminaires: DecoForm, SyncLine, TruGroove Cove, Shine (DF/SL/TC/33)
Genlyte Solutions by Signify

Final Assembly: Langley, British Columbia, Canada; Littlestown, Pennsylvania, USA
Life Expectancy: 10+ Year(s)
End of Life Options: Recyclable (95%+), Landfill (>5%)

Ingredients:

Iron; Small Electrical Components - RoHS Compliant¹; 2-Propanoic acid, 2-methyl-, methyl ester, polymer with ethyl 2-propenoate; Carbonic acid, polymer with 4,4'-(1-methylethylidene)bis[pheno]; Copper; Aluminum; Chromium alloy, base, Cr 52-72, Fe 17-31, Si 3-14, C 4-9.5 (ASTM A101-HIGH CARBON); Fatty acids, castor-oil, caustic-oxidized, distn. residues, esters with 1,3-butanediol; Titanium dioxide; Barium sulfate; Polyvinyl chloride; Acrylonitrile-Butadiene-Styrene Copolymer; Polyolefin aryl amine; Tris(2-ethylhexyl) trimellitate; Steel; Manganese; Zinc; Silicone; Poly(imino(1,6-dioxo-1,6-hexanediy)imino-1,6-hexanediy); Nickel (Metallic); Silver; Graphite; Poly(oxy-1,4-butanediyl)oxycarbonyl-1,4-phenylene-carbonyl); Polyamide fibers; Polyphosphoric acids; 1,3,5-Triglycidyl-s-triazinetrione; Amorphous silica; Titanium; Polyethylene; Calcium Carbonate; Kaolin, calcined; Chromium, metallic; Methyl methacrylate; Antimony oxide (Antimony trioxide); Tin; Organic Molybdenum; 1-Butanesulfonic acid, 1,1,2,2,3,3,4,4,4-nonafluoro-, potassium salt; Phosphorus; 1-Propene, polymer with ethene; Carbon black; Polyurethane foams; Melamine cyanurate; POLYOLEFIN; Sulfur, Elemental; Talc; Pulp, cellulose; Urethane (Ethyl carbamate); Ethyl acrylate; Quartz; 1,3,5-Triazine-2,4,6-triamine, phosphate (1); Acetic acid ethenyl ester, polymer with ethene; Polypropylene

¹LBC Temp Exception RL-002 - Small Electrical Components

Living Building Challenge Criteria:

I-13 Red List:
 LBC Red List Free % Disclosed: 100% at 100ppm
 LBC Red List Approved VOC Content: Not Applicable
 Declared

I-10 Interior Performance: Not Applicable
I-14 Responsible Sourcing: Not Applicable

SGY-0012
EXP. 01 MAY 2026
Original Issue Date: 2025

MANUFACTURER RESPONSIBLE FOR LABEL ACCURACY
INTERNATIONAL LIVING FUTURE INSTITUTE™ living-future.org/declare

Drivers

Class 2 rated output. Lowest dimming level shown in brackets.
Consult Ledalite for other available drivers or custom requests.

Static White 120-277V

- Advance Xitanium 0-10V (1%)
- Advance Xitanium DALI-2 D4i (1%)
- Advance Xitanium SR (Sensor Ready), DALI-2 D4i (1%, Dim-to-off, Fade-to-on)
- Advance Xitanium 0-10V + Aux (1%, Dim-to-off, Fade-to-on)
- Lutron EcoSystem LDE1 (<1%, Soft-on, Fade-to-Black)

Static White 347V

- Advance Xitanium 0-10V (1%)
- Advance Xitanium SR, DALI-2 D4i (1%) – **contact factory**

Controls

DecoForm is designed for wireless radio node type integral controls which are hidden from normal view. Daylight and occupancy type controls can be placed in a remote location and used with a suitable integral fixture driver (i.e. 0-10V, DALI, SR, EcoSystem). Detailed specification of controls can be found on the following pages of this spec sheet. Ordering codes shown in brackets. Many 3rd party control solutions can be used separate of the luminaire when the correct driver is specified. Consult Ledalite for other integral sensors, remote sensors, and custom requests.

Integral Wireless & Connected Controls

- Interact Pro Radio Node, RF only (RA)
- Lutron Athena AWRN, RF only (AR)
- Lutron Vive VRF, RF only (VR)

WELL v2 Building Standard

DecoForm luminaires contribute towards satisfying the following features under the WELL v2 Building Standard:

L08: AccuRender CRI 90 standard LED boards with high performance Advance Xitanium drivers (or optional drivers) to manage color quality and flicker

L09: When specified with Interact or when tied to a 3rd party control system.

X07: Materials Transparency via the Declare label, operated by the International Living Future Institute.

DecoForm Architectural Recessed & Suspended

Controls Options*

Interact Radio Node for Standalone, Gateway and Gateway + IoT tiers (RA)

- RA is a connected radio node supporting wireless mesh connectivity.

Interact sensor for Standalone, Gateway and Gateway + IoT tiers (CS)

- CS is a connected sensor with integral occupancy and daylight sensing and supports wireless mesh connectivity.
- The sensor can operate in a standalone mode or in a gateway mode.
- Interact includes an App, a portal and a broad portfolio of wireless luminaires, lamps and retrofit kits all working on the same system.
- Startup is implemented via Interact Pro app (Android or iPhone) & Bluetooth connectivity. The app provides flexibility to choose between a gateway or non gateway mode for setup.
- Setup with the gateway requires wired internet access to the gateway.
It is possible to add a gateway at a later point.
- Prepare project configuration steps remotely and use IRT9015 remote onsite to identify and group devices together.
- Compatible with UID8465/10 or UID8465/50 wireless dimmer switches, wireless dimmer switch, SWS200 wireless scene switch, wireless occupancy sensor (OCC0100A/02 BP Sensor WH) and wireless daylight /occupancy sensor (OCC0101A/02 DL BP Sensor WH).
- For more information on Interact visit:
www.interact-lighting.com/en-us/what-is-possible/about-interact

Interact sensor bundles for Gateway + IoT tier (SB)

- SB option, in addition to occupancy and daylight sensing, supports advanced IoT capabilities such as people estimation analysis, desk level temperature & humidity sensing, noise classification, and Bluetooth Low Energy (BLE) beacon.
- Compatible with UID8465/10 or UID8465/50 wireless dimmers switches, SWS200 wireless scene switch, wireless occupancy sensor (OCC0100A/02 BP Sensor WH) and wireless daylight/occupancy sensor (OCC0101A/02 DL BP Sensor WH).
- Use Interact software and insights to increase building efficiency, achieve building wide integration and optimize space through occupancy analytics.
- Requires compatible gateway and internet connectivity for commissioning. For more information, visit: www.interact-lighting.com/office

Tunable White & BioUp

- Tunable white options are available with Interact wireless, Lutron Athena wireless, and 2ch 0-10V wired drivers. Please inquire about BioUp options and driver options such as DALI-2 DT6 or DMX control (extended lead times may apply).
- Signify tunable white solutions are designed to help maximize the influence of lighting on your daily life.
- Signify BioUp helps support daytime circadian rhythm for engagement during the day and good sleep quality at night.
- Dynamic behaviors via scheduled lighting recipes mimicking daylight patterns or supporting biorhythms.
- Scene setting via lighting pre-sets based on various combinations of lighting color temperature and intensity.

Interact Pro scalable sensor option codes across Genlyte product lines*

	Evokit	Day-Brite	Ledalite	Lightolier
Zigbee + Bluetooth	RADIO	RADIO	RA	RA
Zigbee + Bluetooth + Sensing	SWZCS	SWZCS	CS	SBA accessory (external)
Zigbee + Bluetooth + Sensing + Environmental data	IAOSB	IAOSB	SB	SB
Zigbee + Highbay + Sensing	-	SWZCSH	-	-

DecoForm Architectural Recessed & Suspended

Functionalities overview

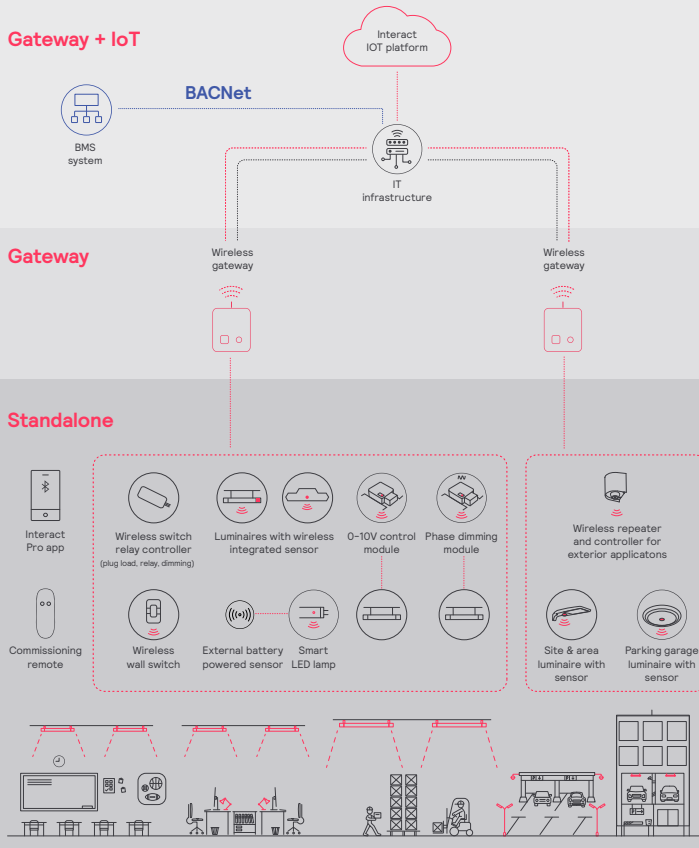
	The three tiers of Interact		
	Standalone	Gateway	Gateway + IoT
Dimming, grouping, and zoning	✓	✓	✓
Bluetooth and ZigBee enabled	✓	✓	✓
Motion sensing and daylight harvesting	✓	✓	✓
Integration with 0-10V and phase dimming fixtures	✓	✓	✓
Code compliance	✓	✓	✓
Granular dimming and dwell time	✓	✓	✓
New Correlated color temperature (CCT) tuning by switch	✓	✓	✓
New Support for sensor-based Tunable White luminaires	✓	✓	✓
Energy reporting and monitoring		✓	✓
Scheduling		✓	✓
Demand response		✓	✓
BMS integration (BACnet)			✓
Floor plan visualization			✓
IoT sensors for wellness			✓
IoT Apps for productivity			✓

Currently supported maximum system size

To be able to design the lighting system correctly for the customer, it is important to know the prime characteristics of the system, its possibilities and limitations.

System level	
Total number of gateways	Unlimited
Total number of devices	200 per network
• luminaires with integrated sensors	150
• smart TLEDs	150
Total number of ZGP devices (sensors and switches)	50
• sensors	30
• switches	50
• zones and groups	64
Group level	
Recommended number of lights	40 (recommended 25)
Number of ZGP devices	5
Number of scenes	16

Interact system architecture for office, education, healthcare, retail, industrial and parking applications



DecoForm Architectural Recessed & Suspended

Colorimetry

DecoForm - AccuRender Static White

Nominal CRI & CCT		CRI 90+, 2700K	CRI 90+, 3000K	CRI 90+, 3500K	CRI 90+, 4000K	CRI 90+, 5000K
CIE 013.3-1995 ¹	CRI R _a	94	94	93	94	92
	R ₉	56	59	56	66	61
	G _a	99	99	98	98	98
	C ₉	93	93	92	94	93
IES TM-30-18 ²	R _f	92	91	90	90	90
	R _{f,h1}	90	90	89	90	88
	R _g	100	100	99	98	99
	R _{cs,h1}	-6%	-5%	-6%	-5%	-6%
MDER ³		0.44	0.50	0.57	0.67	0.79

1. Color Rendering Index (CRI Ra) and Strong Red (R9) are calculated in accordance with CIE 013.3-1995. Color Gamut index (Ga) and red chroma Index (C9) are CIE based properties using the Global Lighting Association's calculation tool.
2. Fidelity Index (Rf), Red Fidelity Index (Rf,h1), Gamut Index (Rg), and Red Local Chroma Shift (Rcs,h1) are calculated in accordance with IES TM-30-18.-18.
3. Melanopic Daylight Efficacy Ratio (MDER) is the measure for "spectral melanopic efficiency" as defined in CIE S 026-2018.

Photometry

When using DecoForm with Top Tiles, the following Light Loss Factors can be used with "DecoForm 2'x2' with white Top Tile installed" photometry to estimate actual performance.

Flux with Top Tile installed

Top Tile Color	Light Loss Factor	Flux (lm) Example 3000lm nominal, 4000K
White (Metal, Acoustic, etc.)	0%	2878lm
Titanium Silver (e.g. light grey, DFT0403)	6%	2693lm
Graphite Grey (e.g. dark grey, DFT0404)	12%	2533lm
Black (Metal, Acoustic, etc.)	14%	2478lm

DecoForm Architectural Recessed & Suspended

Photometry

DecoForm 2'x2', Open Top

Click "PDF" or "IES" text to download

Nominal CRI & CCT		CRI 90+, 2700K					CRI 90+, 3000K					CRI 90+, 3500K					CRI 90+, 4000K					CRI 90+, 5000K									
Lumen Package	Watts (W)	Flux (lm) ¹	Efficacy (LPW) ¹	UGR ²	Photometry Report	IES File	Flux (lm) ¹	Efficacy (LPW) ¹	UGR ²	Photometry Report	IES File	Flux (lm) ¹	Efficacy (LPW) ¹	UGR ²	Photometry Report	IES File	Flux (lm) ¹	Efficacy (LPW) ¹	UGR ²	Photometry Report	IES File	Flux (lm) ¹	Efficacy (LPW) ¹	UGR ²	Photometry Report	IES File	Flux (lm) ¹	Efficacy (LPW) ¹	UGR ²	Photometry Report	IES File
6000lm	53	5644	106	24	PDF	IES	5771	108	24	PDF	IES	5952	112	25	PDF	IES	5991	112	25	PDF	IES	6023	113	25	PDF	IES					
5500lm	49	5215	107	24	PDF	IES	5332	110	24	PDF	IES	5499	113	24	PDF	IES	5535	114	24	PDF	IES	5565	115	24	PDF	IES					
5000lm	44	4721	109	24	PDF	IES	4827	111	24	PDF	IES	4978	114	24	PDF	IES	5011	115	24	PDF	IES	5038	116	24	PDF	IES					
4500lm	39	4269	110	23	PDF	IES	4365	113	23	PDF	IES	4502	116	24	PDF	IES	4531	117	24	PDF	IES	4556	117	24	PDF	IES					
4000lm	34	3794	110	23	PDF	IES	3879	113	23	PDF	IES	4001	116	23	PDF	IES	4027	117	23	PDF	IES	4049	118	23	PDF	IES					
3500lm	30	3320	112	23	PDF	IES	3394	114	23	PDF	IES	3501	118	23	PDF	IES	3524	119	23	PDF	IES	3543	119	23	PDF	IES					
3000lm	25	2854	112	22	PDF	IES	2919	115	22	PDF	IES	3010	119	22	PDF	IES	3030	119	22	PDF	IES	3046	120	22	PDF	IES					
2500lm	21	2370	113	21	PDF	IES	2423	115	21	PDF	IES	2499	119	22	PDF	IES	2515	120	22	PDF	IES	2529	120	22	PDF	IES					
2000lm	17	1895	115	21	PDF	IES	1937	117	21	PDF	IES	1998	121	21	PDF	IES	2011	122	21	PDF	IES	2022	123	21	PDF	IES					
1500lm	13	1439	115	20	PDF	IES	1471	118	20	PDF	IES	1517	121	20	PDF	IES	1527	122	20	PDF	IES	1536	123	20	PDF	IES					

DecoForm 2'x2' with white Top Tile installed

Click "PDF" or "IES" text to download

Nominal CRI & CCT		CRI 90+, 2700K					CRI 90+, 3000K					CRI 90+, 3500K					CRI 90+, 4000K					CRI 90+, 5000K									
Lumen Package	Watts (W)	Flux (lm) ¹	Efficacy (LPW) ¹	UGR ²	Photometry Report	IES File	Flux (lm) ¹	Efficacy (LPW) ¹	UGR ²	Photometry Report	IES File	Flux (lm) ¹	Efficacy (LPW) ¹	UGR ²	Photometry Report	IES File	Flux (lm) ¹	Efficacy (LPW) ¹	UGR ²	Photometry Report	IES File	Flux (lm) ¹	Efficacy (LPW) ¹	UGR ²	Photometry Report	IES File	Flux (lm) ¹	Efficacy (LPW) ¹	UGR ²	Photometry Report	IES File
6000lm	53	5362	100	26	PDF	IES	5482	103	26	PDF	IES	5654	106	26	PDF	IES	5691	107	26	PDF	IES	5722	107	26	PDF	IES					
5500lm	49	4954	102	26	PDF	IES	5065	104	26	PDF	IES	5224	108	26	PDF	IES	5258	108	26	PDF	IES	5287	109	26	PDF	IES					
5000lm	44	4484	103	25	PDF	IES	4585	105	25	PDF	IES	4729	109	25	PDF	IES	4760	109	25	PDF	IES	4786	110	25	PDF	IES					
4500lm	39	4055	105	25	PDF	IES	4146	107	25	PDF	IES	4277	110	25	PDF	IES	4305	111	25	PDF	IES	4328	112	25	PDF	IES					
4000lm	34	3604	105	24	PDF	IES	3685	107	24	PDF	IES	3801	111	25	PDF	IES	3826	111	25	PDF	IES	3846	112	25	PDF	IES					
3500lm	30	3154	106	24	PDF	IES	3225	109	24	PDF	IES	3326	112	24	PDF	IES	3347	113	24	PDF	IES	3366	113	24	PDF	IES					
3000lm	25	2712	107	23	PDF	IES	2773	109	23	PDF	IES	2860	113	24	PDF	IES	2878	113	24	PDF	IES	2894	114	24	PDF	IES					
2500lm	21	2251	107	23	PDF	IES	2302	110	23	PDF	IES	2374	113	23	PDF	IES	2390	114	23	PDF	IES	2402	114	23	PDF	IES					
2000lm	17	1800	109	22	PDF	IES	1841	112	22	PDF	IES	1898	115	22	PDF	IES	1911	116	22	PDF	IES	1921	116	22	PDF	IES					
1500lm	13	1367	109	21	PDF	IES	1398	112	21	PDF	IES	1442	115	21	PDF	IES	1451	116	21	PDF	IES	1459	117	21	PDF	IES					

- Luminaire photometry has been conducted in accordance with IES LM-79-08. IES files can be downloaded by clicking the links in the table above, or online at ledalite.com.
- Unified Glare Rating (UGR) is calculated in accordance with CIE 117-1995. Reference conditions of 4Hx8Hx1H and reflectances of 70/50/20% have been applied using the procedure described in CIE 190-2010.

