



The **Domus Series** of products – **Domus**, **Domus 55**, and **Domus Small** – are all designed to complement each other and bring balance to any environment. Their charm is undeniable. Simplicity, refinement, and elegance, all fuse together to create harmonious beauty through designed equilibrium.

Project: _____
 Location: _____
 Cat.No: _____
 Type: _____
 Lamps: _____ Qty: _____
 Notes: _____

Ordering guide

example: DOS-24W16LED3K-G3-LE2F-UNV-HS-DMG-BKTX

LED Module	LED Module	CCT	Gen	Optical System	Voltage	Luminaire Options
<input type="text" value="DOS"/>	<input type="text"/>	<input type="text"/>	<input type="text" value="G3"/>	<input type="text"/>	<input type="text"/>	<input type="text"/>
DOS Domus Small LED	24W16LED 30W16LED 35W32LED 55W32LED	2.2K ² 2200K 3K 3000K 4K 4000K	G3 Gen3	LE2F Type 2 LE3F Type 3 LE4F Type 4 LE5F Type 5	UNV 120-277V 347 347V 480 480V	BAC ¹ Meets the requirements of the Buy American Act of 1933 (BAA) BABAF ¹ Meets the requirements of the Build America Buy America Act for projects funded through FHWA that are obligated before October 1, 2026, and meets the Buy America preferences for FTA HS House Side Shield SP2 Surge Protection, 20KV 20KA 120-277
Driver	Adaptor	Poles & Brackets	Finish			
<input type="text"/>	<input type="text"/>	<input type="text"/>	<input type="text"/>			
DMG 0-10V	YM Yoke mount	Consult signify.com/ outdoorluminaires for details and the complete line of Signify poles and brackets.	BE2TX Textured Midnight Blue BE6TX Textured Ocean Blue BE8TX Textured Royal Blue BG2TX Textured Sandstone BKTX Textured Black BRTX Textured Bronze GN4TX Textured Blue Green GN6TX Textured Forest Green GN8TX Textured Dark Forest Green GNTX Textured Green GR Gray Sandtex GY3TX Textured Medium Grey NP Natural Aluminum RD2TX Textured Burgundy RD4TX Textured Scarlet TG Hammertone Gold TS Hammertone Silver WHTX Textured White			

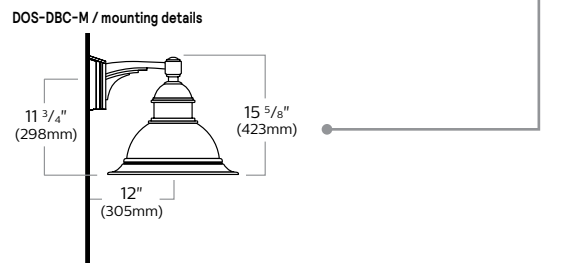
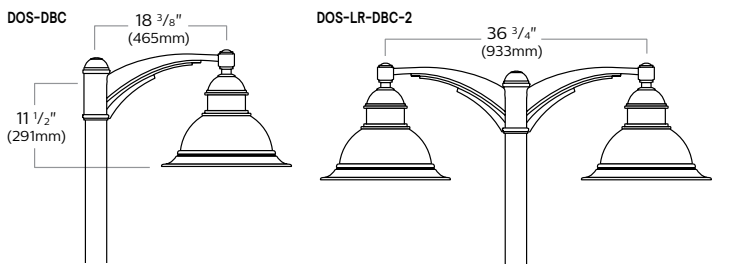
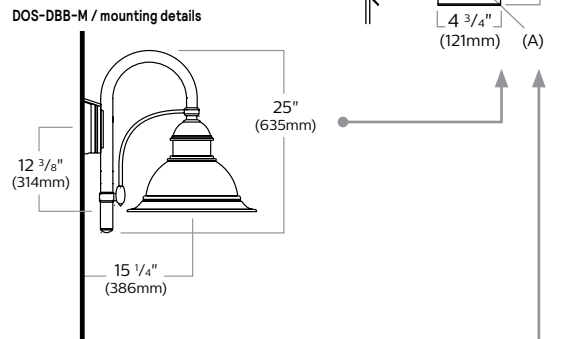
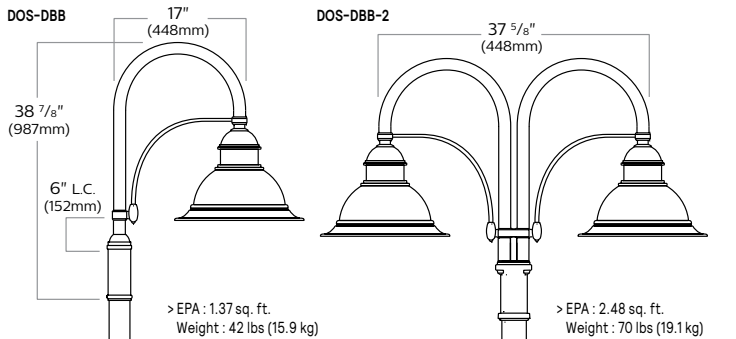
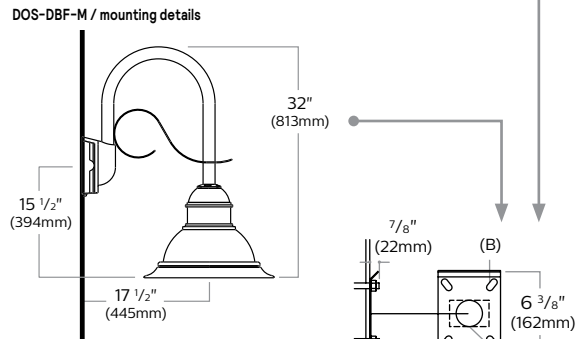
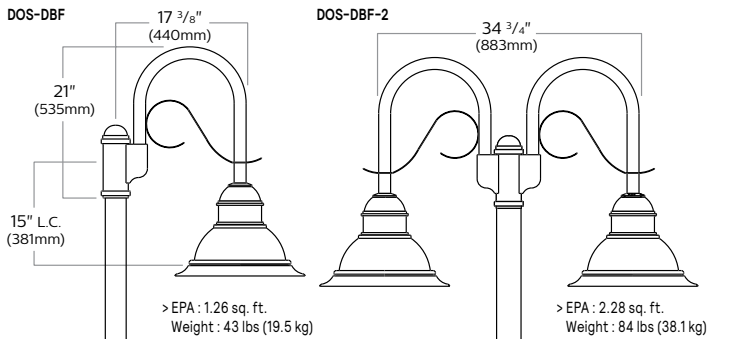
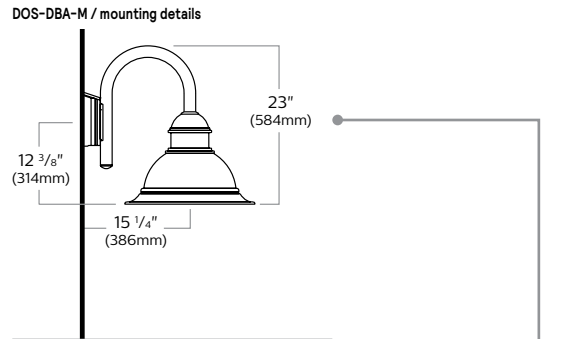
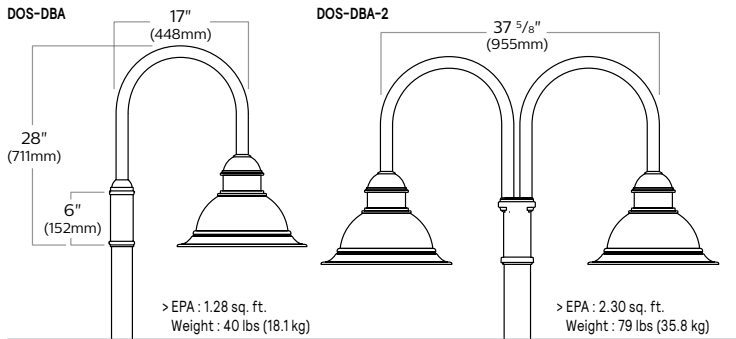
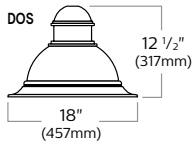
1. Failure to properly select the "BAC" suffix could result in you receiving product that is not BAA compliant product with no recourse for an RMA or refund. This BAC designation hereunder does not address (i) the applicability of, or availability of a waiver under, the Trade Agreements Act, or (ii) the "Buy America" domestic content requirements imposed on states, localities, and other non-federal entities as a condition of receiving funds administered by the Department of Transportation or other federal agencies. Genlyte's products with a BAC option code designation are manufactured in the US and utilize a BAA COTS exemption rule for compliance. "BABAF" designates the product will meet the standards set by FHWA for BABA and FTA for Buy America. As noted, for FHWA BABA compliance, applicable projects must be funded by October 1, 2026.
2. Extended lead-time may apply (consult factory).



DOS Domus Small

Urban Luminaire

Dimensions (DBA, DBF, DBB & DBC)



DOS Domus Small

Urban Luminaire

Specifications

Housing

In a round shape, this housing is made of die cast A380 aluminum, c/w a watertight grommet, mechanically assembled to the bracket with four bolts 5/16 18 UNC. This suspension system permits for a full rotation of the luminaire in 90° increments.

Access Mechanism

A die cast A360 aluminum technical ring with latch, hinge and a cast in decorative skirt. The mechanism shall offer tool free access to the inside of the luminaire. An embedded memory retentive gasket shall ensure weatherproofing.

Lens

Made of soda lime tempered glass lens, mechanically assembled and sealed onto the lower part of the heat sink.

Light Engine

LEDgine composed of 5 main components: Heat Sink / Lens / LED lamp / Optical System / Driver. Electrical components are RoHS compliant.

LED Module

LED type Lumileds LUXEON T. Composed of high-performance white LEDs. Color temperature as per ANSI/NEMA bin Neutral White, 4000 Kelvin nominal (3985K +/- 275K or 3710K to 4260K) or Warm White, 3000 Kelvin nominal (3045K +/- 175K or 2870K to 3220K), CRI 70 Min. 75 Typical.

Heat Sink

Made of cast aluminum optimising the LEDs efficiency and life. Product does not use any cooling device with moving parts (only passive cooling device).

Optical System

Composed of high performance optical grade PMMA acrylic refractor lenses to achieve desired distribution optimized to get maximum spacing, target lumens and a superior lighting uniformity. Optical system is rated IP66. Performance shall be tested per LM 63, LM 79 and TM 15 (IESNA) certifying its photometric performance. Street side indicated. Dark Sky compliant with 0% uplight and U0 per IESNA TM 15.

Driver

Driver comes standard with dimming compatible 0-10V. High power factor of 95%. Electronic driver, operating range 50/60 Hz. Auto adjusting universal voltage input from 120 to 277 VAC rated for both application line to line or line to neutral, Class I, THD of 20% max. Maximum ambient operating temperature from 40F (40C) to 130F(55C) degrees. Certified in compliance to UL1310 cULus requirement.

Dry and damp location. Assembled on a unitized removable tray with Tyco quick disconnect plug resisting to 221F(105C) degrees. The current supplying the LEDs will be reduced by the driver if the driver experiences internal overheating as a protection to the LEDs and the electrical components. Output is protected from short circuits, voltage overload and current overload. Automatic recovery after correction. Standard built in driver surge protection of 2.5kV (min).

Driver DMG: Dimmable driver 0-10V.
DMG: Dimmable driver 0-10V.

Surge Protection

Surge protector tested in accordance with ANSI/IEEE C62.45 per ANSI/IEEE C62.41.2 Scenario I Category C High Exposure 10kV/10kA waveforms for Line Ground, Line Neutral and Neutral Ground, and in accordance with U.S. DOE (Department of Energy) MSSLC (Municipal Solid State Street Lighting Consortium) model specification for LED roadway luminaires electrical immunity requirements for High Test Level 10kV / 10kA.

Wiring

Gauge (#14) TEW/AWM 1015 or 1230 wires, 6" (152mm) minimum exceeding from luminaire.

Hardware

All exposed screws shall be complete with Ceramic primer seal basecoat to reduce seizing of the parts and offers a high resistance to corrosion. All seals and sealing devices are made and/or lined with EPDM and/or silicone and/or rubber.

Luminaire Useful Life

Refer to IES files for energy consumption and delivered lumens for each option. Based on ISTMT in situ thermal testing in accordance with UL1598 and UL8750, System Reliability Tool, Advance data and Lumileds LM-80/TM-21 data, expected to reach 100,000 + hours with >L70 lumen maintenance @ 25°C. Luminaire Useful Life accounts for LED lumen maintenance AND all of these additional factors including: LED life, driver life, PCB substrate, solder joints, on/off cycles, burning hours and corrosion. Entire luminaire is rated for operation in ambient temperature of -40°C / -40°F up to +35°C / +95°F.

Finish

In accordance with the AAMA 2603 standard. Application of polyester powder coat paint (4 mils/100 microns) with ± 1 mils/24 microns of tolerance. The Thermosetting resins provides a discoloration resistant finish in accordance with the ASTM D2244 standard, as well as luster retention in keeping with the ASTM D523 standard and humidity proof in accordance with the ASTM D2247 standard. The surface treatment achieves a minimum of 2000 hours for salt spray resistant finish in accordance with testing performed and per ASTM B117 standard.

LED products manufacturing standard

The electronic components sensitive to electrostatic discharge (ESD) such as light emitting diodes (LEDs) are assembled in compliance with IEC61340 5 1 and ANSI/ESD S20.20 standards so as to eliminate ESD events that could decrease the useful life of the product

Quality Control

The manufacturer must provide a written confirmation of its ISO 9001 2015 and ISO 14001 2015 International Quality Standards Certification.

Vibration Resistance

Meets the ANSI C136.31 2001, American National Standard for Roadway Luminaire Vibration specifications for normal applications. (Tested for 1.5G over 100,000 cycles by an independent lab).

Certifications and Compliance

cULus Listed for Canada and USA

DOS Domus Small

Urban Luminaire

LED light engine technical information for DOS, multiply 4000K values by 0.769 for 2200K

FLAT LENS

CAT LOGIC	LED QTY	System Current (mA)	Color Temp (CCT)	Avg System Wattage (W)	Lumen Output	BUG Rating	Efficacy (Lm/W)	Lumen Output	BUG Rating	Efficacy (Lm/W)	Lumen Output	BUG Rating	Efficacy (Lm/W)	Lumen Output	BUG Rating	Efficacy (Lm/W)
				LE2F			LE3F			LE4F			LE5F			
24W16LED3K-G3-x	16	530	3000	29	3163	B1-U0-G1	110	3100	B1-U0-G1	108	3108	B1-U0-G1	108	2993	B2-U0-G1	104
30W16LED3K-G3-x	16	700	3000	38	3980	B1-U0-G1	106	3901	B1-U0-G1	104	3911	B1-U0-G1	104	3766	B2-U0-G1	100
35W32LED3K-G3-x	32	350	3000	36	4325	B1-U0-G1	121	4239	B1-U0-G1	119	4250	B1-U0-G1	119	4092	B3-U0-G1	114
55W32LED3K-G3-x	32	530	3000	53	6489	B2-U0-G1	121	6360	B1-U0-G1	119	6376	B1-U0-G2	119	6140	B3-U0-G1	115
24W16LED4K-G3-x	16	530	4000	29	3416	B1-U0-G1	119	3348	B1-U0-G1	117	3357	B1-U0-G1	117	3232	B2-U0-G1	113
30W16LED4K-G3-x	16	700	4000	38	4298	B1-U0-G1	114	4213	B1-U0-G1	112	4224	B1-U0-G1	112	4067	B3-U0-G1	108
35W32LED4K-G3-x	32	350	4000	36	4671	B1-U0-G1	131	4578	B1-U0-G1	128	4590	B1-U0-G1	128	4420	B3-U0-G1	124
55W32LED4K-G3-x	32	530	4000	53	7008	B2-U0-G1	131	6869	B1-U0-G1	129	6886	B1-U0-G2	129	6631	B3-U0-G1	124

Actual performance may vary due to installation variables including optics, mounting/ceiling height, dirt depreciation, light loss factor, etc.; highly recommended to confirm performance with a layout - contact Applications at signify.com/outdoorluminaires.

Note: Some data may be scaled based on tests of similar. But not identical luminaires.

FLAT LENS with House-side Shield

LED = Lumileds Luxeon T, CRI = 70, CCT = 4000K (3985K +/- 275K or 3710K to 4260K), System (LED + driver) rated life = 100,000 hrs

CAT LOGIC	LED QTY	System Current (mA)	Color Temp (CCT)	Avg System Wattage (W)	Lumen Output	BUG Rating	Efficacy (Lm/W)	Lumen Output	BUG Rating	Efficacy (Lm/W)	Lumen Output	BUG Rating	Efficacy (Lm/W)
				LE2F-HS			LE3F-HS			LE4F-HS			
24W16LED3K-G3-x	16	530	3000	29	2337	B1-U0-G1	82	2311	B1-U0-G1	81	2260	B1-U0-G1	79
30W16LED3K-G3-x	16	700	3000	38	2940	B1-U0-G1	78	2908	B1-U0-G1	77	2844	B1-U0-G1	76
35W32LED3K-G3-x	32	350	3000	36	3195	B1-U0-G1	89	3160	B1-U0-G1	88	3091	B1-U0-G1	86
55W32LED3K-G3-x	32	530	3000	53	4794	B1-U0-G1	90	4741	B1-U0-G1	89	4637	B1-U0-G1	87
24W16LED4K-G3-x	16	530	4000	29	2524	B1-U3-G3	88	2496	B1-U3-G3	87	2441	B1-U3-G3	85
30W16LED4K-G3-x	16	700	4000	38	3176	B1-U3-G4	85	3141	B1-U3-G4	84	3072	B1-U3-G4	82
35W32LED4K-G3-x	32	350	4000	36	3451	B1-U3-G5	97	3413	B1-U3-G5	95	3338	B1-U3-G5	93
55W32LED4K-G3-x	32	530	4000	53	5178	B1-U3-G6	97	5120	B1-U3-G6	96	5008	B1-U3-G6	94

Actual performance may vary due to installation variables including optics, mounting/ceiling height, dirt depreciation, light loss factor, etc.; highly recommended to confirm performance with a layout - contact Applications at signify.com/outdoorluminaires.

Note: Some data may be scaled based on tests of similar. But not identical luminaires.

1. L70 = 100,000 hrs (at ambient temperature = 25°C).
2. System wattage or total luminaire wattage includes the LED module and the LED driver.
3. These guidelines show typical replacements for the HID wattage ranges shown. Replacements should always be confirmed with a photometric layout.

Note: Due to rapid and continuous advances in LED technology, LED luminaire data is subject to change without notice and at the discretion of Signify.