



Lightolier ICY Flex Wall 2" allows for thousands of different combinations, tailored to seamlessly match any indoor environment. Create dynamic new decorative styles for your projects by selecting from a variety of decorative elements and visually rich surface colors. Unleash your inner creator and select from the many options these cylinders have to offer.

This portfolio of luminaires is powered by myCreation, Genlyte's advanced additive manufacturing technology that enables rapid production of high-quality, customizable luminaires. It streamlines design-to-delivery configurations, while reducing components and using 3D-printed parts made from at least 75% recycled or mass-balanced, bio-circular materials.

Project: _____
 Location: _____
 Cat.No: _____
 Type: _____
 Qty: _____
 Notes: _____

Includes AccuRender technology for high color qualities.
 Dual-dim driver that is phase control (ELV/TRIAC 120v) and 0-10v (universal 120-277v) in one.

Examples: 3DP ICY2W 6 DR CO BK LF BK 15L MD 930 DW
 3DP ICY2W 10 DI TS WH WF WT LF BK 10L NF NF 927 DB

Fixture

Series	Height	Distributions	Decorative Element	Housing Color	Housing Texture	Trim Color	Decorative Element Outer Color	Decorative Element Outer Texture
3DP ICY2W								
3DP ICY2W ICY Flex Wall 2"	6 6" Tall 10 10" Tall	DR Direct Only DI Direct-Indirect ¹	CO Cylinder Only TS Tube Short TT Tube Tall	WH Satin White BK Satin Black GY Satin Grey RO Satin Rose CA Satin Cappuccino SA Satin Sage BS Satin Brass BZ Satin Bronze	LF Layered Fine	For Cylinder Only (CO)	For Tube Short (TS) or Tube Tall (TT) Only	For Tube Short (TS) or Tube Tall (TT) Only
						WH Satin White BK Satin Black GY Satin Grey RO Satin Rose CA Satin Cappuccino SA Satin Sage BS Satin Brass BZ Satin Bronze	WT Translucent White	LF Layered Fine VF Vertical Flute
						For Tube Short (TS) or Tube Tall (TT) Only	For Cylinder Only (CO)	For Cylinder Only (CO)
						[Blank] None	[Blank] None	[Blank] None

Decorative Element Ring Color	Light Level ¹	Beams (Direct)	Beams (Indirect)	CRI, CCT	Canopy
For Tube Short (TS) or Tube Tall (TT) Only	10L 1000lm 15L 1500lm 20L 2000lm (DI, 10" Tall Only)	For Cylinder Only (CO)	For Cylinder Only (CO) with Direct-Indirect (DI) Distribution	927 90 CRI / 2700K 930 90 CRI / 3000K 935 90 CRI / 3500K 940 90 CRI / 4000K	DW Disk, White DB Disk, Black DC Disk, Color Match Housing
WH Satin White BK Satin Black GY Satin Grey RO Satin Rose CA Satin Cappuccino SA Satin Sage BS Satin Brass BZ Satin Bronze		SP Spot (19°) MD Medium (23°) NF Narrow Flood (27°) FL ² Flood (38°)	SP Spot (19°) MD Medium (23°) NF Narrow Flood (27°) FL ² Flood (38°)		
			For Tube Short (TS) or Tube Tall (TT) with Direct-Indirect (DI) Distribution		
			FL ² Flood (38°)		
For Cylinder Only (CO)		For Tube Short (TS) or Tube Tall (TT) Only	For Direct Only (DR) Distribution		
[Blank] None		FL ² Flood (38°)	[Blank] N/A, Direct only		

¹When Direct-Indirect (DI) distribution is chosen, lumen output is split between direct and indirect (eg. 10L = 500 lms up and 500 lms down). When Direct Only (DR) distribution is chosen, lumen output represents total lumens in a single direction (eg. 10L = 1000 lms down).

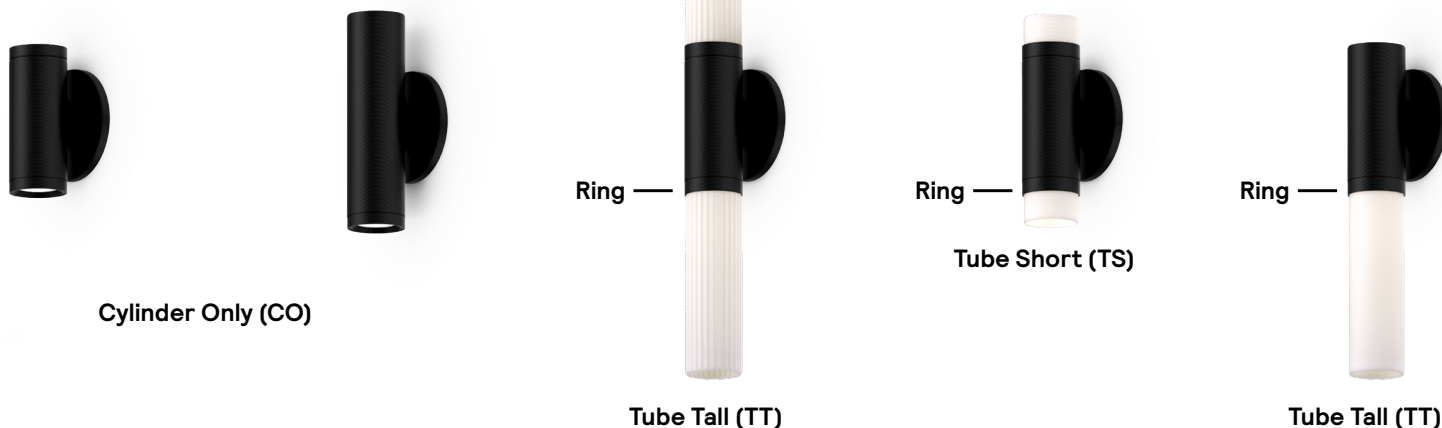
Note: Different colors are available upon request but will require a longer lead time.

Unleash your inner creator
 To configure your ICY Flex Wall 2", scan the QR Code or visit:
<https://www.3dconfigurator.mycreation.signify.com/lightolier/TCLCY2I>



ICY Flex Wall 2"

Cylinders (1000lm, 1500lm, 2000lm)



Cylinder Only (CO)

Tube Tall (TT)

Tube Short (TS)

Tube Tall (TT)

Decorative Elements

CO - Cylinder Only: Cylinder with no decorative element. Trim (bezel) color can be customized to match housing or serve as an accent color.

TS - Tube Short: Cylinder with short tube accessory. Ring converter required. Ring color can be customized to match cylinder housing or serve as an accent color.

TT - Tube Tall: Cylinder with tall tube accessory. Ring converter required. Ring color can be customized to match cylinder housing or serve as an accent color.

See ordering guide on Page 1 for complete customization options for this series.

Features

- 1. Customizable:** Choose from wide variety of colors & textures to help personalize customer options.
- 2. Sustainable:** 3D-printed products produce less carbon emissions compared to traditional, conventional luminaires.
- 3. Local production:** Printed & assembled in Littlestown, PA.
- 4. Quick delivery:** Created on demand, shipped in weeks.
- 5. Color Rendering Index:** Standard 90CRI.
- 6. Lifetime:** L90B50 lumen maint. at 65,000 hrs.
- 7. Weight:** 2.5lbs.

Mounting

Canopy: Available in Black, White, and Housing Color Match.

Electrical

Wattage:

- 1000 lm = 9.0W
- 1500 lm = 13.0W
- 2000 lm = 18.0W

Dimming: Phase control (ELV/TRIAC 120v), 0-10v (Universal 120-277v)

Input Voltage: 120/277V

Frequency: 50/60Hz

Power Factor: 0.9

Housing Construction

Cylinder: Housing components are made with robust polycarbonate made from at least 75% recycled or mass-balanced, bio-circular materials.

Labels

UL, cULus, IP20, RoHS
Declare LBC Red List Approved
(View full Declare label)

Interact for intelligent buildings

Interact for intelligent buildings with its simple wireless offering can make your smart building journey easy and cost effective. This system can help you boost your energy savings, reach your sustainability targets, and enhance occupancy comfort levels immediately from day one. 3D-printed luminaires can be integrated into the Interact for intelligent buildings system using the System Bridge Accessory SBA module or the RFSR10 control module. For more information please visit: <https://www.genlyte.com/en-us/brands/signify-interact/interact-for-intelligent-buildings>

Buy American Act 1933 (BAA)

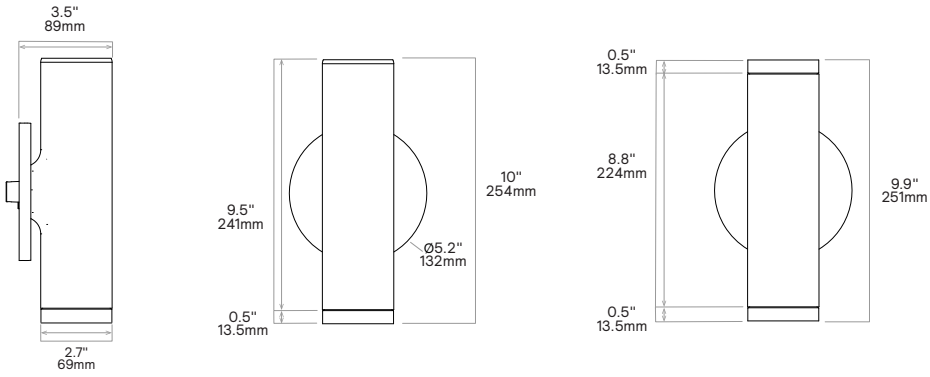
This product is manufactured in one of our US factories and, as of the date of this document, this product was considered a commercially available off-the-shelf (COTS) item meeting the requirements of the BAA. This BAA designation hereunder does not address (i) the applicability of, or availability of a waiver under, the Trade Agreements Act, or (ii) the "Buy America" domestic content requirements imposed on states, localities, and other non-federal entities as a condition of receiving funds administered by the Department of Transportation or other federal agencies. Prior to ordering, please visit www.signify.com/baa to view a current list of BAA-compliant products to confirm this product's current compliance.

ICY Flex Wall 2"

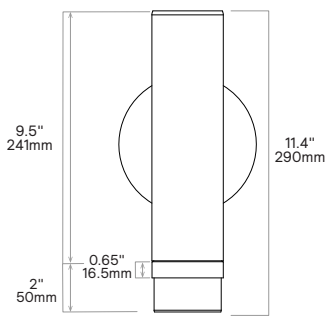
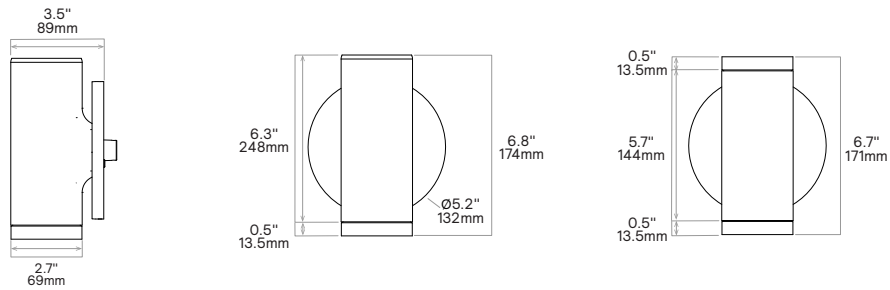
Cylinders (1000lm, 1500lm, 2000lm)

Dimensions

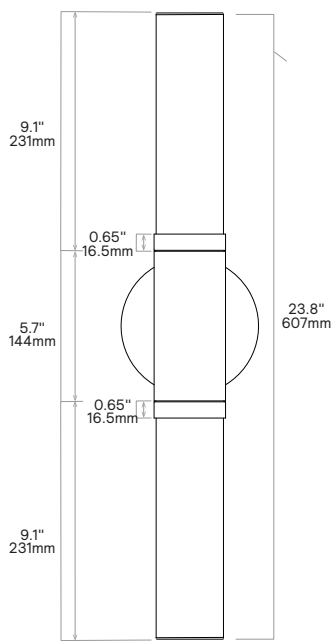
10" Cylinder Only (CO)



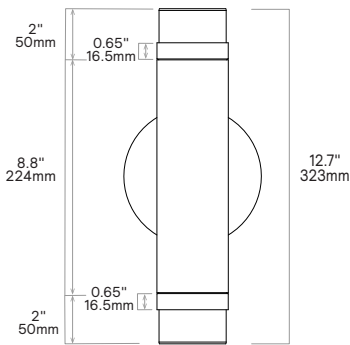
6" Cylinder Only (CO)



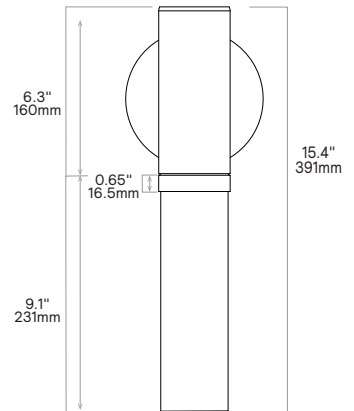
Tube Short (TS)



Tube Tall (TT)



Tube Short (TS)



Tube Tall (TT)

ICY Flex Wall 2"

Cylinders (1000lm, 1500lm, 2000lm)

AccuRender Technology (CRI 90+)

The right light brings colors to life. Our new AccuRender technology helps ensure colors are rendered more accurately and consistently, while doing so as efficiently as CRI 80 products.



Standard CRI 80

Good color rendering and high efficacy



Standard CRI 90

Better color rendering and low efficacy



AccuRender

Best color rendering, color preference and high efficacy

Promote savings

High efficacy, with no penalty:

- Energy efficacy compares well to conventional CRI80
- Up to 25% more energy savings vs competitor CRI90¹
- Helps you meet Title 24 requirements

Enjoy design flexibility

Full range of products and options:

- Available across Lightolier portfolio for application flexibility
- Multiple CCTs and lumen packages offered

1. Based on comparison of published specification sheet data, most competitor offerings reflect a 15 to 25% efficacy loss for CRI 90 compared to CRI 80, while Lightolier AccuRender results in only ≤5% drop compared to CRI 80.

Bolster wellbeing

High MDER:

- AccuRender has a Melanopic Daylight Efficacy Ratio up to 0.80
- Helps support Circadian Rhythm²
- Earns points towards WELL Building Standard

Contribute to productivity

High MDER:

- Supports daytime vitality³ and alertness⁴
- Supports mood, thermo-regulation, and learning centers in the brain⁵
- May positively influence work engagement by helping make the environment more attractive⁶

2. Czeisler, 1999; Dijk & Archer, 2009; Lucas 2012, 2019
 3. Partonen 2000
 4. Viola 2008, Smolders 2012; Geerdink 2017
 5. Fernandez 2018; Rupp, 2019

Show your true colors

High color rendering:

- **CRI:**
R_a up to 94, R₉ up to 67, G_a up to 99, C₉ up to 94
- **TM-30:**
R_f up to 92, R_{f,hl} up to 91, R_g up to 100, R_{cs,hl} up to -5%
- **True to life colors** to help energize your environment and render better flesh tones critical for Healthcare, Hospitality and Retail

Achieve color balance

Best in class color consistency:

- ≤ 2 SDCM promotes aesthetic harmony
- 6. Veitch, Jennifer & Stokkermans, Mariska & R. Newsham, Guy. (2013). Linking Lighting Appraisals to Work Behaviors. Environment and Behavior. 45. 198-214. 10.1177/0013916511420560.

Controls Options*

Interact radio node for Standalone, Gateway & Gateway + IoT tiers (RA)

- RA sensor option is a connected radio node supporting wireless mesh connectivity.
- Compatible with standalone and gateway modes of Interact.

Interact occupancy & daylight sensor for Standalone, Gateway & Gateway + IoT tiers (CS)

- The CS sensor option is a connected sensor with built-in occupancy and daylight detection, along with wireless mesh connectivity.
- Compatible with standalone and gateway modes of Interact.

Interact advanced sensor bundle for Gateway + IoT tier (SB)

- SB sensor option offers occupancy and daylight sensing and supports advanced IoT capabilities, such as desk-level temperature and humidity monitoring, noise classification, and Bluetooth Low Energy (BLE) beacon functionality.
- Setup requires a compatible gateway and internet connectivity.
- With compatible gateway and software analytics, SB sensor option enables greater building efficiency, seamless system integration, and optimized space utilization through occupancy and environmental insights.

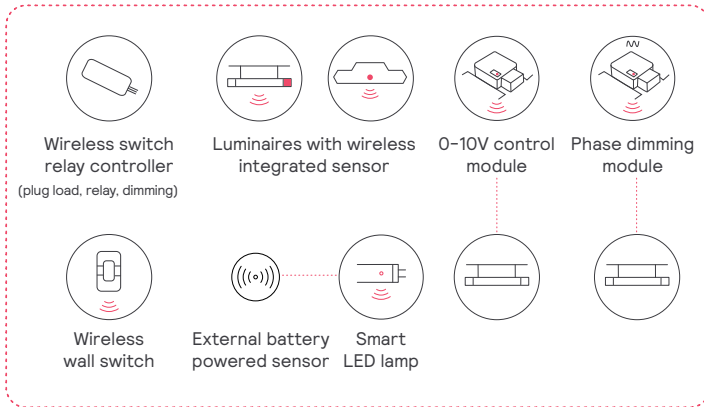
Interact for intelligent buildings sensor option codes across Genlyte product lines*				
	Sensor Part Number	Day-Brite	Ledalite	Lightolier
Zigbee + Bluetooth	SC100B	RADIO	RA	RA
Zigbee + Bluetooth + Sensing	SC200B	SWZCS	CS	SBA or SWCS accessory
Zigbee + Bluetooth + Sensing + Environmental data	SC1500	IAOSB	SB	SBA or SWCS accessory
Zigbee + Highbay + Bluetooth + Sensing	SNH210 IA	SWZCSH	-	-

ICY Flex Wall 2"

Cylinders (1000lm, 1500lm, 2000lm)

**Signify
interact**

Easy. Effective. Smart.



Meet Interact

A smart, wireless luminaire level lighting control system (LLLLC). A complete solution that combines modern and intuitive technologies for easy installation and specification.

- Works with or without gateway
- **No IT**
- **No** light point restrictions
- **Up to 75%** out of the box savings
- **Fast & easy**
- **Code & rebates** compliant

Capabilities



Luminaire integrated occupancy and daylight sensing



BMS integration



Human-centric lighting



Connectivity & insights



Full Automation*



Security

*Grouping, zoning, dimming, high-end trimming, scenes, scheduling, manual controls

Benefits



Up to **80%** installation savings¹

Compared to installation costs of wired systems



Up to **5 min** faster setup time²

Compared to similar wireless systems



Less than **2 year** payback

Implement deep energy-saving strategies and claim utility rebates



1.8x more energy savings

Compared to conventional control systems



Up to **2x** utility rebates

Network Interact ready devices and get more utility rebates³

1. Versus legacy systems based on installer interviews

2. Based on installer analysis done by Signify for a typical multi-zone space

3. Utility programs across US

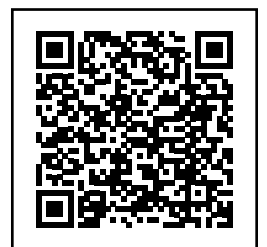
Just lights and an App



1. Install the Interact ready fixtures with embedded smart sensor
2. Install the wireless wall switch
3. Configure your setup with the Interact App
4. Leverage the IRT9015 remote accessory to accelerate your setup process
5. Optionally add a gateway for insights and management

Learn more about Interact:

Interact includes an app, a web portal, and a comprehensive range of Interact ready wireless luminaires, lamps, retrofit kits, and control devices like switches and sensors that operate within the same system.



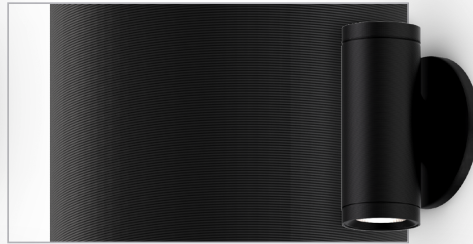
ICY Flex Wall 2"

Cylinders (1000lm, 1500lm, 2000lm)

Colors & Textures



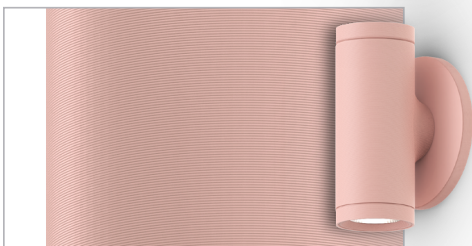
WH: Satin White
LF: Layered Fine texture



BK: Satin Black
LF: Layered Fine texture



GY: Satin Grey
LF: Layered Fine texture



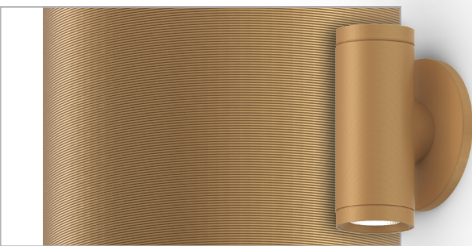
RO: Satin Rose
LF: Layered Fine texture



CA: Satin Cappuccino
LF: Layered Fine texture



SA: Satin Sage
LF: Layered Fine texture



BS: Satin Brass
LF: Layered Fine texture



BZ: Satin Bronze
LF: Layered Fine texture



WT: Translucent White
LF: Layered Fine texture
For Tube Short (TS) or Tube Tall (TT) Only



WT: Translucent White
VF: Vertical Flute texture
For Tube Short (TS) or Tube Tall (TT) Only

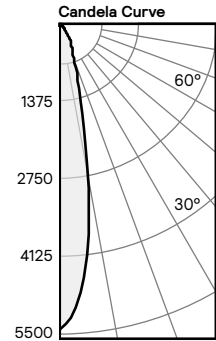
ICY Flex Wall 2"

Cylinders (1000lm)

Adjustment Factors:

2700K:	0.95
3000K:	1
3500K:	1.02
4000K:	1.04

Cylinder Only, Spot Beam, 1000lm, 90CRI/3000K



Zonal summary

Zone	Lumens	%Luminaire
0-30	922	89.1%
0-40	1016	98.2%
0-60	1033	99.8%
0-90	1035	100.0%

Angle	Mean CP	Lumens
0	5431	
5	4516	
10	2546	364
15	1195	
20	651	354
25	440	
30	291	204
35	145	
40	50	94
45	14	
50	6	14
55	4	
60	3	3
65	2	
70	1	2
75	0	
80	0	0
85	0	
90	0	0

Single unit data

Height to lighted plane	Initial center beam foot-candles	Beam diameter (ft)*
6'	151	1.8'
7'	111	2.1'
8'	85	2.4'
9'	67	2.7'
10'	54	3.0'

* Beam diameter is where foot-candles drop to 50% of maximum.

Coefficients of utilization

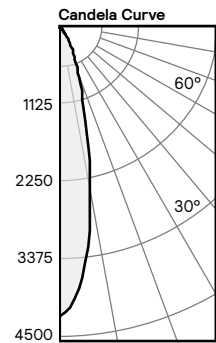
Ceiling	80%				70%		50%		30%		0%	
	70	50	30	10	50	10	50	10	50	10	0	
Wall	70	50	30	10	50	10	50	10	50	10	0	
RCR	Zonal cavity method - Effective floor reflectance = 20%											
Room Cavity Ratio	0	119	119	119	119	116	116	111	111	106	106	100
	1	115	113	111	109	110	107	106	104	103	101	96
	2	111	107	104	101	105	100	102	98	99	96	92
	3	107	102	98	95	101	94	98	93	96	91	89
	4	103	98	93	90	96	90	94	89	93	88	85
	5	100	94	89	86	93	86	91	85	90	84	82
	6	97	90	86	82	89	82	88	82	87	81	79
	7	94	87	82	79	86	79	85	79	84	78	77
	8	91	84	79	76	83	76	82	76	81	76	74
	9	88	81	77	74	81	74	80	73	79	73	72
	10	86	79	74	71	78	71	77	71	77	71	70

3DPICY2 1000 LUMEN SPOT

Output lumens:	1035 lms
Input watts ¹ :	9.0 W
CRI:	90 min
CCT ² :	3000K
Beam Angle:	19°
Spacing Crit.:	0.3

Efficacy: 115 lm/w

Cylinder Only, Medium Beam, 1000lm, 90CRI/3000K



Zonal summary

Zone	Lumens	%Luminaire
0-30	938	88.3%
0-40	1038	97.7%
0-60	1059	99.7%
0-90	1062	100.0%

Angle	Mean CP	Lumens
0	4210	
5	3664	
10	2471	310
15	1412	
20	783	398
25	489	
30	309	230
35	153	
40	56	100
45	17	
50	8	17
55	5	
60	3	4
65	2	
70	1	2
75	1	
80	0	1
85	0	
90	0	0

Single unit data

Height to lighted plane	Initial center beam foot-candles	Beam diameter (ft)*
6'	117	2.4'
7'	86	2.8'
8'	66	3.2'
9'	52	3.6'
10'	42	4.0'

* Beam diameter is where foot-candles drop to 50% of maximum.

Coefficients of utilization

Ceiling	80%				70%		50%		30%		0%	
	70	50	30	10	50	10	50	10	50	10	0	
Wall	70	50	30	10	50	10	50	10	50	10	0	
RCR	Zonal cavity method - Effective floor reflectance = 20%											
Room Cavity Ratio	0	119	119	119	119	116	116	111	111	106	106	100
	1	115	112	110	108	110	107	106	103	103	100	96
	2	110	106	103	100	105	99	102	97	99	95	92
	3	106	101	97	94	100	93	97	92	95	90	88
	4	102	96	92	89	95	88	93	87	91	86	84
	5	99	92	88	84	91	84	90	83	88	83	81
	6	95	88	84	80	88	80	86	80	85	79	77
	7	92	85	80	77	84	77	83	76	82	76	75
	8	89	82	77	74	81	74	80	74	79	73	72
	9	86	79	74	71	78	71	78	71	77	71	69
	10	84	76	72	69	76	69	75	68	74	68	67

3DPICY2 1000 LUMEN MEDIUM

Output lumens:	1062 lms
Input watts ¹ :	9.0 W
CRI:	90 min
CCT ² :	3000K
Beam Angle:	23°
Spacing Crit.:	0.4

Efficacy: 118.0 lm/w

1. Wattage: controlled to within 5%
2. Correlated Color Temperature: within specs as defined in ANSI_NEMA_ANSI C78.377-2008: Specifications for the Chromaticity of Solid State Lighting Products.
3. Tested using absolute photometry as specified in LM79: IESNA Approved Method for the Electrical and Photometric Measurements of Solid-State Lighting Products.
4. IES reports are available to download on our e-catalog page. Use a scaling factor of 0.5 for both 10L and 15L.

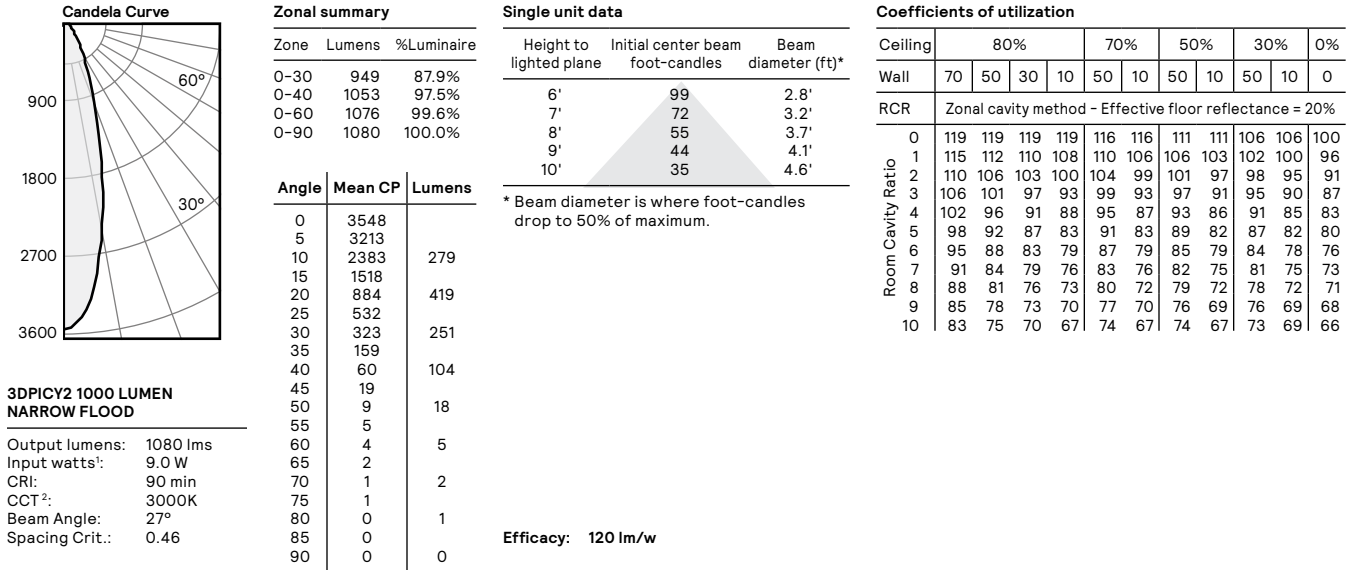
ICY Flex Wall 2"

Cylinders (1000lm)

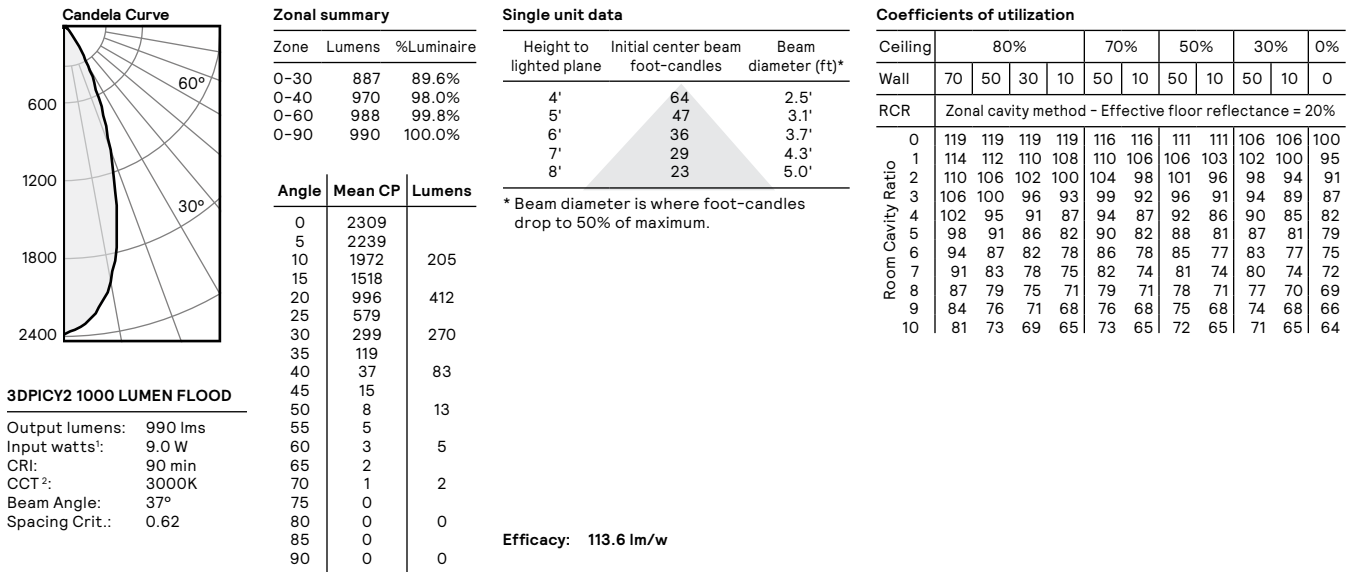
Adjustment Factors:

2700K:	0.95
3000K:	1
3500K:	1.02
4000K:	1.04

Cylinder Only, Narrow Flood Beam, 1000lm, 90CRI/3000K



Cylinder Only, Flood Beam, 1000lm, 90CRI/3000K



1. Wattage: controlled to within 5%
2. Correlated Color Temperature: within specs as defined in ANSI_NEMA_ANSI C78.377-2008: Specifications for the Chromaticity of Solid State Lighting Products.
3. Tested using absolute photometry as specified in LM79: IESNA Approved Method for the Electrical and Photometric Measurements of Solid-State Lighting Products.
4. IES reports are available to download on our e-catalog page. Use a scaling factor of 0.5 for both 10L and 15L.

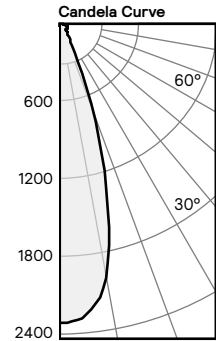
ICY Flex Wall 2"

Cylinders (1000lm)

Adjustment Factors:

2700K:	0.95
3000K:	1
3500K:	1.02
4000K:	1.04

Tube Short Decorative Element, Flood Beam, 1000lm, 90CRI/3000K



Zone	Lumens	%Luminaire
0-30	696	71.8%
0-40	738	76.2%
0-60	824	85.0%
0-90	915	94.4%
90-180	81	5.6%
0-180	969	100.0%

Angle	Mean CP	Lumens
0	2311	
5	2249	
10	1992	208
15	1318	
20	658	368
25	185	
30	86	120
35	62	
40	56	42
45	53	
50	50	42
55	49	
60	46	44
65	40	
70	35	41
75	28	
80	23	31
85	17	
90	12	19

Height to lighted plane	Initial center beam foot-candles	Beam diameter (ft)*
5'	92	3.6'
6'	64	4.2'
7'	47	4.8'
8'	36	5.4'
9'	29	6.0'

* Beam diameter is where foot-candles drop to 50% of maximum.

Coefficients of utilization

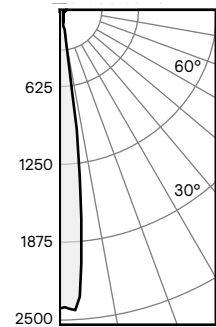
Ceiling	80%				70%		50%		30%		0%
	70	50	30	10	50	10	50	10	50	10	0
Wall	70	50	30	10	50	10	50	10	50	10	0
RCR	Zonal cavity method - Effective floor reflectance = 20%										
Room Cavity Ratio	0	118	118	118	114	114	108	108	102	102	94
	1	111	108	105	102	105	100	100	96	95	86
	2	105	99	95	91	97	90	93	87	89	84
	3	100	93	88	83	91	82	88	80	84	74
	4	95	87	82	77	86	76	83	75	80	73
	5	91	83	77	72	81	72	79	71	77	70
	6	87	78	73	68	77	68	75	67	73	66
	7	84	75	69	65	74	65	72	64	71	63
	8	81	72	66	62	71	62	69	61	68	61
	9	78	69	63	60	68	59	67	59	66	58
	10	75	66	61	57	66	57	64	57	63	56

3DPICY2 1000 LUMEN FLOOD

Output lumens: 969 lms
 Input watts¹: 9.0 W
 CRI: 90 min
 CCT²: 3000K
 Beam Angle: 33°
 Spacing Crit.: 0.6

Efficacy: 107.7 lm/w

Tube Tall Decorative Element, Flood Beam, 1000lm, 90CRI/3000K



Zone	Lumens	%Luminaire
0-30	174	23.7%
0-40	209	28.5%
0-60	300	40.9%
0-90	477	65.0%
90-180	378	34.9%
0-180	734	100.0%

Angle	Mean CP	Lumens
0	2399	
5	1353	
10	187	109
15	107	
20	75	35
25	62	
30	57	30
35	55	
40	55	35
45	55	
50	55	42
55	56	
60	56	49
65	57	
70	57	56
75	57	
80	57	60
85	56	
90	55	61

Height to lighted plane	Initial center beam foot-candles	Beam diameter (ft)*
5'	96	1.2'
6'	67	1.4'
7'	49	1.6'
8'	37	1.8'
9'	30	2.0'

* Beam diameter is where foot-candles drop to 50% of maximum.

Coefficients of utilization

Ceiling	80%				70%		50%		30%		0%
	70	50	30	10	50	10	50	10	50	10	0
Wall	70	50	30	10	50	10	50	10	50	10	0
RCR	Zonal cavity method - Effective floor reflectance = 20%										
Room Cavity Ratio	0	111	111	111	104	104	92	92	80	80	65
	1	98	93	88	83	87	79	76	70	67	49
	2	89	81	74	68	76	64	67	57	58	41
	3	82	72	64	57	68	54	60	49	52	35
	4	76	65	56	50	61	48	54	43	48	32
	5	71	59	50	44	56	42	50	39	44	29
	6	66	54	46	40	51	39	46	35	41	27
	7	62	50	42	37	48	35	43	33	39	25
	8	59	47	39	34	45	33	41	31	37	24
	9	56	44	37	32	42	31	38	29	35	23
	10	53	42	35	30	40	29	37	27	33	22

3DPICY2 1000 LUMEN FLOOD

Output lumens: 734 lms
 Input watts¹: 9.0 W
 CRI: 90 min
 CCT²: 3000K
 Beam Angle: 13°
 Spacing Crit.: 0.2

Efficacy: 81.6 lm/w

1. Wattage: controlled to within 5%
2. Correlated Color Temperature: within specs as defined in ANSI/NEMA/ANSI C78.377-2008: Specifications for the Chromaticity of Solid State Lighting Products.
3. Tested using absolute photometry as specified in LM79: IESNA Approved Method for the Electrical and Photometric Measurements of Solid-State Lighting Products.
4. IES reports are available to download on our e-catalog page. Use a scaling factor of 0.5 for both 10L and 15L.

ICY Flex Wall 2"

Cylinders (1500lm)

Adjustment Factors:

2700K:	0.95
3000K:	1
3500K:	1.02
4000K:	1.04

Cylinder Only, Spot Beam, 1500lm, 90CRI/3000K

Candela Curve		Zonal summary			Single unit data			Coefficients of utilization										
	Zone	Lumens	%Luminaire	Height to lighted plane	Initial center beam foot-candles	Beam diameter (ft)*	Ceiling	80%		70%		50%		30%		0%		
	0-30	1376	89.1%	6'	100	1.8'	Wall	70	50	30	10	50	10	50	10	0		
	0-40	1516	98.1%	7'	81	2.1'	RCR	Zonal cavity method - Effective floor reflectance = 20%										
	0-60	1542	99.8%	8'	67	2.4'	0	119	119	119	119	116	116	111	111	106	106	100
	0-90	1545	100.0%	9'	56	2.7'	1	115	113	111	109	110	107	106	104	103	101	96
	Angle	Mean CP	Lumens	10'	48	3.0'	2	111	107	104	101	105	100	102	98	99	96	92
	0	8106		* Beam diameter is where foot-candles drop to 50% of maximum.	3	107	98	95	101	94	98	93	96	91	96	91	89	
	5	6740			4	103	98	90	96	90	94	89	94	89	93	88	85	
	10	3800	543		5	100	94	89	86	93	86	91	85	90	84	82		
	15	1784			6	97	90	86	82	89	82	88	82	87	81	79		
20	971	529		7	94	87	82	79	86	79	85	79	84	78	77			
25	656			8	91	84	79	76	83	76	82	76	81	76	74			
30	435	304		9	88	81	77	74	81	74	80	73	79	73	72			
35	216			10	86	79	74	71	78	71	77	71	77	71	70			
40	74	140																
45	20																	
50	9	21																
55	6																	
60	4	5																
65	3																	
70	2	3																
75	0																	
80	0	1																
85	0																	
90	0	0																

Cylinder Only, Medium Beam, 1500lm, 90CRI/3000K

Candela Curve		Zonal summary			Single unit data			Coefficients of utilization										
	Zone	Lumens	%Luminaire	Height to lighted plane	Initial center beam foot-candles	Beam diameter (ft)*	Ceiling	80%		70%		50%		30%		0%		
	0-30	1399	88.3%	6'	78	2.4'	Wall	70	50	30	10	50	10	50	10	0		
	0-40	1549	97.7%	7'	63	2.8'	RCR	Zonal cavity method - Effective floor reflectance = 20%										
	0-60	1581	99.7%	8'	52	3.2'	0	119	119	119	119	116	116	111	111	106	106	100
	0-90	1585	100.0%	9'	44	3.6'	1	115	112	110	108	110	107	106	103	103	100	96
	Angle	Mean CP	Lumens	10'	37	4.0'	2	110	106	103	100	105	99	102	97	99	95	92
	0	6284		* Beam diameter is where foot-candles drop to 50% of maximum.	3	106	101	97	94	100	93	97	92	95	90	88		
	5	5468			4	102	96	92	89	95	88	93	87	91	86	84		
	10	3687	463		5	99	92	88	84	91	84	90	83	88	83	81		
	15	2108			6	95	88	84	80	88	80	86	80	85	79	77		
20	1168	593		7	92	85	80	77	84	77	83	76	82	76	75			
25	729			8	89	82	77	74	81	74	80	74	79	73	72			
30	461	343		9	86	79	74	71	78	71	78	71	77	71	69			
35	229			10	84	76	72	69	76	69	75	68	74	68	67			
40	83	150																
45	25																	
50	12	25																
55	7																	
60	4	7																
65	3																	
70	2	3																
75	2																	
80	0	1																
85	0																	
90	0	0																

1. Wattage: controlled to within 5%
2. Correlated Color Temperature: within specs as defined in ANSI_NEMA_ANSI C78.377-2008: Specifications for the Chromaticity of Solid State Lighting Products.
3. Tested using absolute photometry as specified in LM79: IESNA Approved Method for the Electrical and Photometric Measurements of Solid-State Lighting Products.
4. IES reports are available to download on our e-catalog page. Use a scaling factor of 0.5 for both 10L and 15L.

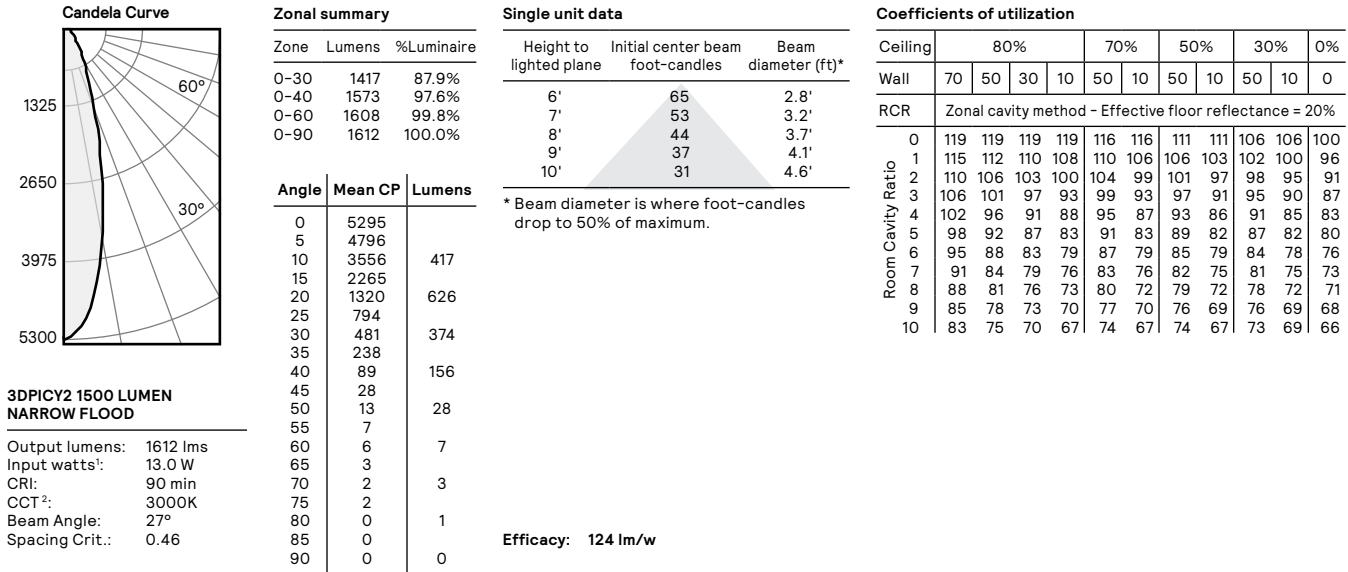
ICY Flex Wall 2"

Cylinders (1500lm)

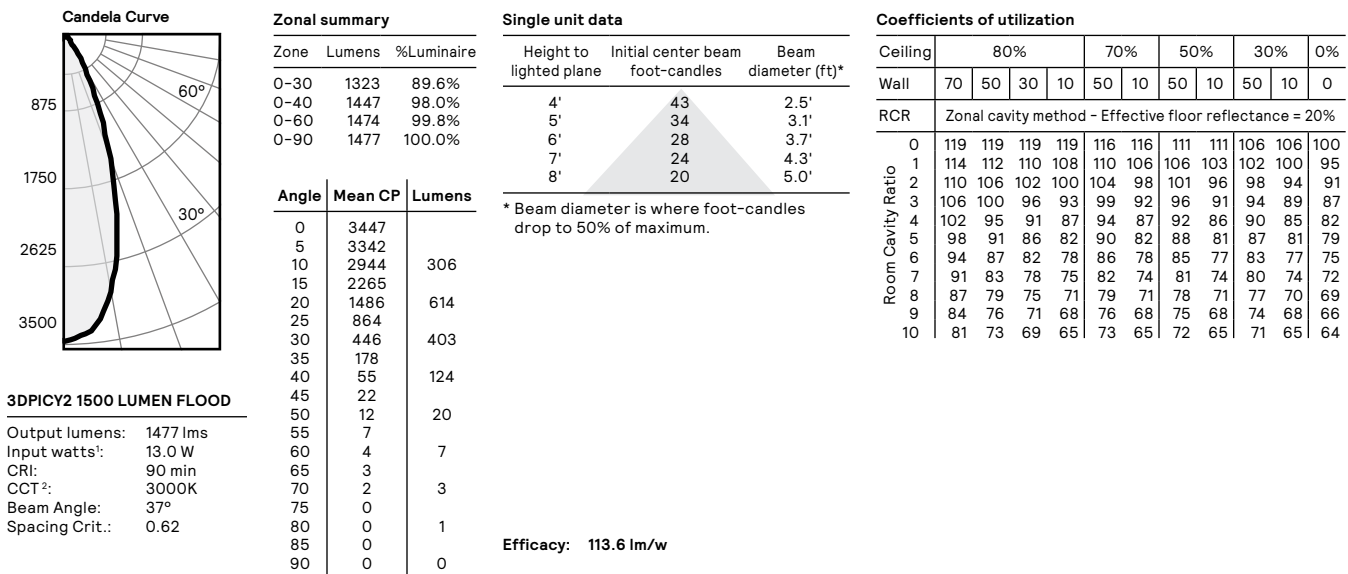
Adjustment Factors:

2700K:	0.95
3000K:	1
3500K:	1.02
4000K:	1.04

Cylinder Only, Narrow Flood Beam, 1500lm, 90CRI/3000K



Cylinder Only, Flood Beam, 1500lm, 90CRI/3000K



1. Wattage: controlled to within 5%
2. Correlated Color Temperature: within specs as defined in ANSI_NEMA_ANSI C78.377-2008: Specifications for the Chromaticity of Solid State Lighting Products.
3. Tested using absolute photometry as specified in LM79: IESNA Approved Method for the Electrical and Photometric Measurements of Solid-State Lighting Products.
4. IES reports are available to download on our e-catalog page. Use a scaling factor of 0.5 for both 10L and 15L.

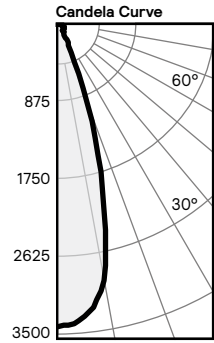
ICY Flex Wall 2"

Cylinders (1500lm)

Adjustment Factors:

2700K:	0.95
3000K:	1
3500K:	1.02
4000K:	1.04

Tube Short Decorative Element, Flood Beam, 1500lm, 90CRI/3000K



Zone	Lumens	%Luminaire
0-30	1029	72.0%
0-40	1091	76.3%
0-60	1218	85.2%
0-90	1351	94.5%
90-180	81	5.7%
0-180	1430	100.0%

Angle	Mean CP	Lumens
0	3412	
5	3319	
10	2941	308
15	1946	
20	972	544
25	273	
30	127	177
35	92	
40	83	62
45	78	
50	75	62
55	72	
60	67	65
65	60	
70	51	60
75	42	
80	33	45
85	25	
90	17	28

Height to lighted plane	Initial center beam foot-candles	Beam diameter (ft)*
5'	136	3.6'
6'	95	4.2'
7'	70	4.8'
8'	53	5.4'
9'	42	6.0'

* Beam diameter is where foot-candles drop to 50% of maximum.

Coefficients of utilization

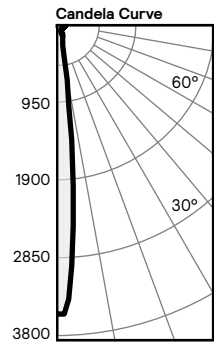
Ceiling	80%				70%		50%		30%		0%	
	70	50	30	10	50	10	50	10	50	10	0	
Wall	70	50	30	10	50	10	50	10	50	10	0	
RCR	Zonal cavity method - Effective floor reflectance = 20%											
Room Cavity Ratio	0	118	118	118	118	114	114	108	108	102	102	94
	1	111	108	105	102	105	100	100	96	95	92	86
	2	105	99	95	91	97	90	93	87	89	84	80
	3	100	93	88	83	91	82	88	80	84	78	74
	4	95	87	82	77	86	76	83	75	80	73	70
	5	91	83	77	72	81	72	79	71	77	70	67
	6	87	78	73	68	77	68	75	67	73	66	64
	7	84	75	69	65	74	65	72	64	71	63	61
	8	81	72	66	62	71	62	69	61	68	61	59
	9	78	69	63	60	68	59	67	59	66	58	57
	10	75	66	61	57	66	57	64	57	63	56	55

3DPICY2 1500 LUMEN FLOOD

Output lumens: 1430 lms
 Input watts: 13.0 W
 CRI: 90 min
 CCT²: 3000K
 Beam Angle: 33°
 Spacing Crit.: 0.6

Efficacy: 110 lm/w

Tube Tall Decorative Element, Flood Beam, 1500lm, 90CRI/3000K



Zone	Lumens	%Luminaire
0-30	257	23.7%
0-40	308	28.4%
0-60	442	40.8%
0-90	704	65.0%
90-180	378	34.9%
0-180	1083	100.0%

Angle	Mean CP	Lumens
0	3542	
5	1997	
10	276	161
15	159	
20	111	52
25	92	
30	84	44
35	81	
40	80	51
45	81	
50	81	62
55	82	
60	83	72
65	84	
70	84	83
75	85	
80	84	89
85	83	
90	82	90

Height to lighted plane	Initial center beam foot-candles	Beam diameter (ft)*
5'	142	1.2'
6'	98	1.4'
7'	72	1.6'
8'	55	1.8'
9'	44	2.0'

* Beam diameter is where foot-candles drop to 50% of maximum.

Coefficients of utilization

Ceiling	80%				70%		50%		30%		0%	
	70	50	30	10	50	10	50	10	50	10	0	
Wall	70	50	30	10	50	10	50	10	50	10	0	
RCR	Zonal cavity method - Effective floor reflectance = 20%											
Room Cavity Ratio	0	111	111	111	111	104	104	92	92	80	80	65
	1	98	93	88	83	87	79	76	70	67	61	49
	2	89	81	74	68	76	64	67	57	58	51	41
	3	82	72	64	57	68	54	60	49	52	44	35
	4	76	65	56	50	61	48	54	43	48	39	32
	5	71	59	50	44	56	42	50	39	44	35	29
	6	66	54	46	40	51	39	46	35	41	33	27
	7	62	50	42	37	48	35	43	33	39	30	25
	8	59	47	39	34	45	33	41	31	37	28	24
	9	56	44	37	32	42	31	38	29	35	27	23
	10	53	42	35	30	40	29	37	27	33	26	22

3DPICY2 1500 LUMEN FLOOD

Output lumens: 1083 lms
 Input watts: 13.0 W
 CRI: 90 min
 CCT²: 3000K
 Beam Angle: 13°
 Spacing Crit.: 0.2

Efficacy: 83.3 lm/w

1. Wattage: controlled to within 5%
2. Correlated Color Temperature: within specs as defined in ANSI_NEMA_ANSI C78.377-2008: Specifications for the Chromaticity of Solid State Lighting Products.
3. Tested using absolute photometry as specified in LM79: IESNA Approved Method for the Electrical and Photometric Measurements of Solid-State Lighting Products.
4. IES reports are available to download on our e-catalog page. Use a scaling factor of 0.5 for both 10L and 15L.