



MASTER LED spot LV

7MR16/LED/827/F35/DIM 12V 10/1FB

LEDspot, MR16, 50 W, GU5.3, 2700 K, 515 lm, 25000 hour(s), Aluminum

LEDspot, MR16, 50 W, GU5.3, 2700 K, 515 lm, 25000 hour(s), Aluminum, 73.00 lm/W

Product data

General Information		Lamp Current (Nom)	
Cap-Base	GU5.3		650 mA
Nominal lifetime	25,000 hour(s)	Wattage Equivalent	50 W
Switching Cycle	50,000	Starting Time (Nom)	0.5 s
Lighting Technology	LEDspot	Warm-up time to 60% light	0.5 s
		Power Factor (Fraction)	0.7
		Voltage (Nom)	ac electronic 12 V
Light Technical		Temperature	
Color Code	827 [CCT of 2700K]	T-Case Maximum (Nom)	90 °C
Beam Angle (Nom)	35 degree(s)		
Luminous Flux	515 lm	Controls and Dimming	
Luminous Intensity (Nom)	1,350 cd	Dimmable	Only with specific dimmers
Color Designation	Warm White (WW)		
Correlated Color Temperature (Nom)	2700 K	Mechanical and Housing	
Luminous Efficacy (rated) (Nom)	73.00 lm/W	Bulb Finish	Clear
Color Consistency	<4	Bulb Material	Aluminum
Color rendering index (CRI)	80	Bulb Shape	MR16
LLMF At End Of Nominal Lifetime (Nom)	70 %	UL Wet/ damp/ dry location	Damp location
		Net Weight (Piece)	0.060 kg
Operating and Electrical		Approval and Application	
Line Frequency	- Hz	Suitable For Accent Lighting	Yes
Input Frequency	- Hz		
Power Consumption	7 W		

MASTER LED spot LV

EU RoHS compliant	Yes
T20 compliant	No
Ambient temperature range	-20 to +45 °C

Application Conditions

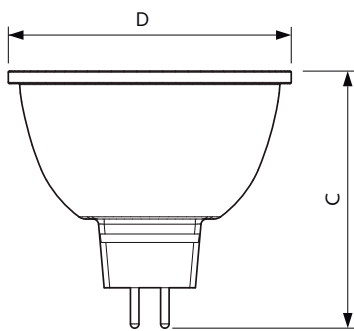
can it be used in closed luminaires	Yes
Wireless Technology	Not applicable

Product Data

Order product name	7MR16/LED/827/F35/DIM 12V 10/1FB
--------------------	----------------------------------

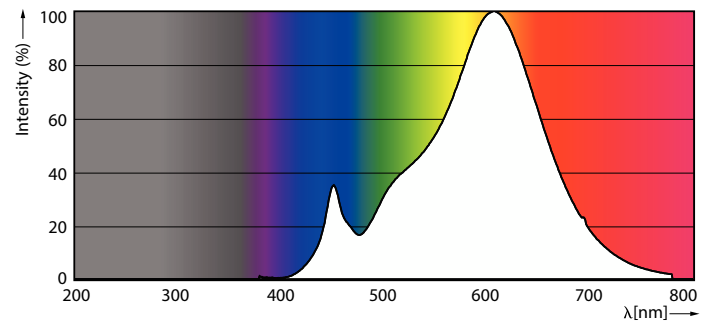
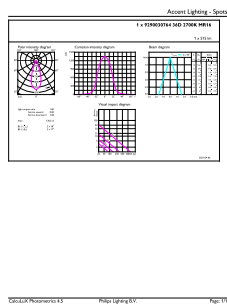
Full product name	7MR16/LED/827/F35/DIM 12V 10/1FB
Order code	573881
Material Nr. (12NC)	929003076404
Numerator - Quantity Per Pack	1
EAN/UPC - Product/Case	046677573881
Numerator - Packs per outer box	10
EAN/UPC - Case	50046677573886

Dimensional drawing



Product	D	C
7MR16/LED/827/F35/DIM 12V 10/1FB	50 mm	46.5 mm

Photometric data

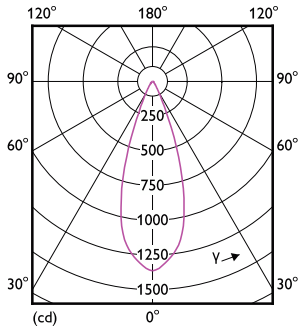


Accent Lighting Spots - 7MR16/LED/827/F35/DIM 12V 10/1FB

Spectral Power Distribution Colour - 7MR16/LED/827/F35/DIM 12V 10/1FB

MASTER LED spot LV

Photometric data



Light Distribution Diagram - 7MR16/LED/827/F35/DIM 12V 10/1FB

Lifetime



Life Expectancy Diagram



Lumen Maintenance Diagram - 7MR16/LED/827/F35/DIM 12V 10/1FB

