

FluxGrid recessed luminaires offer architectural appeal with “must have” features. Four different lens styles, discrete air return, integral emergency, and access to the LED boards and driver from below the ceiling make FluxGrid an ideal solution for a wide range of applications. FluxGrid also offers premium options including Interact controls, AccuRender CRI 90+ LEDs in static CCTs or Tunable White, FirstLink connected battery packs, and BioUp high melanopic (MDER) tunable technology to enhance your daily life.

Project: \_\_\_\_\_  
 Location: \_\_\_\_\_  
 Cat.No: \_\_\_\_\_  
 Type: \_\_\_\_\_  
 Qty: \_\_\_\_\_  
 Notes: \_\_\_\_\_

### Ordering guide

Standard configurations available with all choices, unless otherwise noted. Base configurations selections indicated by blue.

Example: 2FGX42B840-4-RS-UNV-DIM

Width	Family	Ceiling Type	Air Function	Lumens (nominal)	Color	Length	Center Diffuser	Voltage	Driver	Options
<b>2</b>	<b>FGX</b>	<b>G</b>	<b>Grid</b>			<b>4</b>				
2'	FGX FluxGrid	G Grid	Blank Static H Air return	Base Config. <b>830</b> 80 CRI, 3000K <b>835</b> 80 CRI, 3500K Standard Config. <b>840</b> 80 CRI, 4000K <b>850</b> 20L 2000 38L 3800 43L 4300 48L 4800 54L 5400 74L 7400 85L 8500 90L 9000 90 CRI, 5000K 90 CRI, 5000K 90 CRI, 2700K-6500K 90 CRI, 2700K-5000K 90 CRI, 2700K-5000K		4' 4"	FS Diffuse flat smooth RS Diffuse round smooth F Diffuse flat ribbed R Diffuse round ribbed	UNV Universal 120-277V <b>347</b> 347V	DIM <sup>1</sup> Dimming SDIM Step dimming to 30% input power LDE <sup>5</sup> Lutron LDE1 1% dimming DALI DALI	F1 <sup>10</sup> 3/8" Flex, 18 ga., 6', 3-wire (non-dimming) F2 3/8" Flex, 18 ga., 6', 4-wire (non-dimming, emergency) F1/D <sup>10,13</sup> 3/8" Twin Flex, 18 ga., 6', 3-wire and 2-wire (dimming) F2/5W <sup>10,13</sup> 3/8" Flex, 18 ga., 6', 5-wire (dimming) F2/6W <sup>13</sup> 3/8" Flex, 18 ga., 6', 6-wire (dimming, emergency) GLR Fusing, fast blow CHIC <sup>17</sup> Chicago Plenum rated EM10 <sup>4</sup> Bodine 10W self-testing battery pack EM06 <sup>4</sup> Bodine 6W self-testing battery pack EM10FL <sup>4,16</sup> Bodine 10W FirstLink Connected battery pack DSC <sup>15</sup> Quick driver disconnect ER100 <sup>3,6,7,9</sup> UL924 listed sensor bypass relay, factory installed between driver & sensor GTD/E <sup>4,6</sup> UL924 listed Bodine GTD factory installed on driver input GTD/SNSR <sup>4,6,7</sup> UL924 listed Bodine GTD factory installed between driver & sensor DAYOCC <sup>2,9</sup> Basic occupancy and daylight sensing SWZCS <sup>2,8</sup> Interact wireless sensor with integral daylight & occupancy sensing, advanced grouping with dwell time RADIO <sup>2</sup> Interact RF sensor for wireless connectivity only, no sensing IAOSB <sup>2,8</sup> Interact Pro wireless sensor with occupancy, daylight, and environmental sensing capabilities AWNOCC <sup>2</sup> Lutron Athena Occupancy sensing AWNRF <sup>2</sup> Lutron Athena RF only VIVEOCC <sup>2,5</sup> Lutron VIVE Occupancy sensing VIVERF <sup>2,5</sup> Lutron VIVE RF only AG Antimicrobial finish BAC <sup>11</sup> Meets the requirements of the Buy American Act of 1933 (BAA) BABAF <sup>11</sup> Meets the requirements of the Buy America Act for projects funded through FHWA that are obligated before October 1, 2026, and meets the Buy America preferences for FTA

- Integral controls options dimmable to 1% via wireless wall switch. Non-controls options are dimmable to 1% for Standard configurations, and to 10% for Base configurations.
- Specify only with -DIM driver option.
- The ER100 option is not available with Bodine EM battery packs.
- Not available with 347V.
- Option is qualified as Engineered-to-Order (ETO) ready. Lead times and minimum order quantities may vary, please consult factory.
- Must be installed in conjunction with a UL1008 device.
- Must be ordered with an Interact or Lutron sensor option.
- Must order IRT9015 Interact commissioning remote with each system order.
- The ER100 is not available with DAYOCC.
- The F1 & F2/5W is not available with Emergency options.
- Failure to properly select the "BAC" suffix could result in you receiving product that is not BAA compliant product with no recourse for an RMA or refund. This BAC designation hereunder does not address (i) the applicability of, or availability of a waiver under, the Trade Agreements Act, or (ii) the "Buy America" domestic content requirements imposed on states, localities, and other non-federal entities as a condition of receiving funds administered by the Department of Transportation or other federal agencies. Genlyte's products with a BAC option code designation are manufactured in the US and utilize a BAA COTS exemption rule for compliance. "BABAF" designates the product will meet the standards set by FHWA for BABA and FTA for Buy America. As noted, for FHWA BABA compliance, applicable projects must be funded by October 1, 2026.
- Consult Genlyte to confirm whether specific accessories are BAA-compliant.
- Flex with dimming not available with Interact & Lutron sensors.
- Tunable White and BioUp options are available with Interact scalable wireless or with 2ch 0-10V or DALI-2 wired drivers. Valid lumen output ranges are: 9TW: 2X2: 15L-45L; 1X4: 15L-45L; 2X4: 20L-48L. BioUp: 2x2: 15L-38L; 1x4: 15L-45L; 2x4: 20L-43L
- The DSC not available with Emergency options.
- FirstLink can be combined with either Air Return or Sensor options, but not both at the same time.
- Air Return configurations cannot be combined with Chicago Plenum (see EvoGrid for this option combination)

### Accessories<sup>12</sup> (order separately)

- FSF24 - 2'x4' surface mount field installation kit (field assembled)
- FMA24 - 2'x4' "F" mounting frame for NEMA "F" ceiling
- FSK24 - 2'x4' surface mount field installation kit (factory welded seams)

### Replacement Lens (order separately)

- FGXRS4L - FGX 4' round smooth replacement lens
- FGXR4L - FGX 4' round ribbed replacement lens
- FGXFS4L - FGX 4' flat smooth replacement lens
- FGXF4L - FGX 4' flat ribbed replacement lens
- FGXHFS4L - FGX 4' air return flat smooth replacement lens
- FGXHF4L - FGX 4' air return flat ribbed replacement lens
- FGXHRS4L - FGX 4' air return round smooth replacement lens
- FGXHR4L - FGX 4' air return round ribbed replacement lens
- FGXCF4L - FGX 4' controls flat smooth replacement lens
- FGXCF4L - FGX 4' controls flat ribbed replacement lens
- FGXCRS4L - FGX 4' controls round smooth replacement lens
- FGXCR4L - FGX 4' controls round ribbed replacement lens

### SWZCS accessories (order separately)

- IRT9015 - handheld remote for grouping and configuration (at least one remote required for any SWZCS installation).

Not all product variations listed on this page are DLC qualified. To ensure that a specific model is qualified, visit [www.designlights.org/search](http://www.designlights.org/search)



# 2FGX FluxGrid gen 2 recessed 2x4

up to 9000 lumens

## Application

- 3-1/8" deep low profile configuration provides minimal penetration into the plenum space.
- Acrylic diffusers available in round and flat smooth configurations which provides even illumination with comfortable appeal.
- Standard and base configurations available in multiple lumen packages to suit the needs of various applications.
- Lambertian distribution creates uniform horizontal and vertical illuminance on the work plane and reduces scalloping on the walls.
- CRI 80 minimum color rendering with balanced spectrum.
- LEDs coupled with standard dimming provide prolonged lumen maintenance. Optional integral sensors contribute further to LED lumen maintenance.
- Designed for use with standard Grid (NEMA "G") or Narrow Grid (NEMA "NFG") ceiling T-bars. Drywall or plaster requirements can be accommodated by using an FMA24 "F" mounting frame (sold separately).
- Continuous row mount capable with 24"/48" standard on center grids. Requires T-Bar between fixtures. K.O's available on both ends of fixtures and require a 1" conduit connection between fixtures for install (by others).

## General notes

- All options are factory installed.
- All accessories are field installed.
- Declare label certified, ID SIG-0021 ([View full Declare label](#))
- Many luminaire components, such as reflectors, refractors, lenses, sockets, lampholders, and LEDs are made from various types of plastics which can be adversely affected by airborne contaminants. If sulfur based chemicals, petroleum based products, cleaning solutions, or other contaminants are expected in the intended area of use, consult factory for compatibility.

## Enclosure

- Opal acrylic diffuser provides visually comfortable lumenance without compromise to luminaire efficacy.
- Diffuser requires no frames or fasteners and can be easily removed from below.

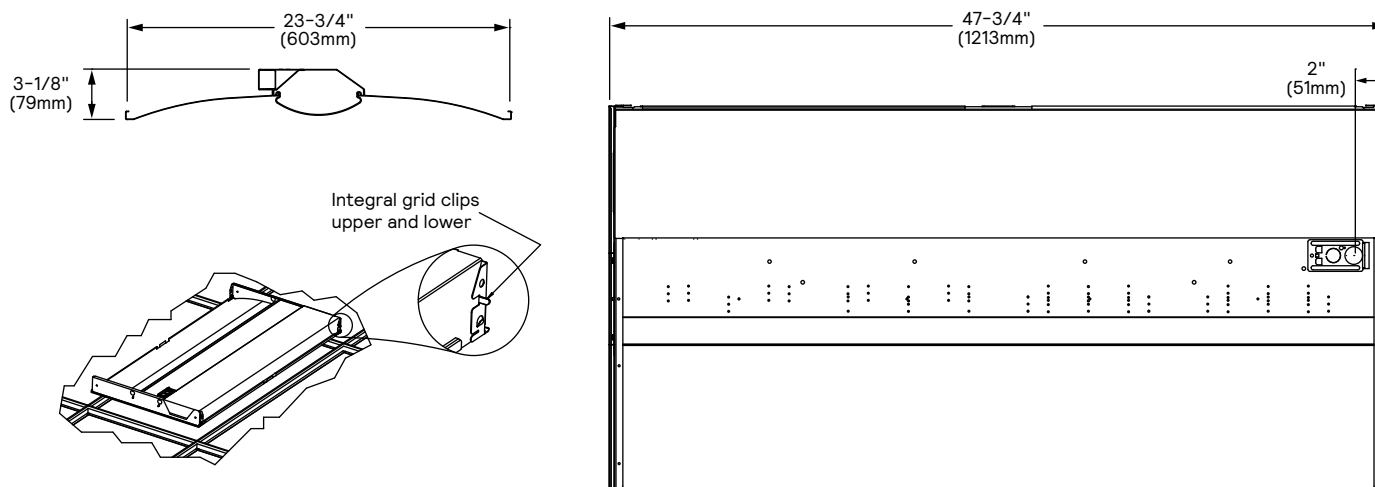
## Construction/Finish

- Metal side covers are die formed with a conical shape to enhance light distribution and visual aesthetic.
- Luminaire finish is matte white polyester powder coat for high quality, durable finish.
- T-bar grid clips are integral to the body.
- Air return option provides air flow through architectural forms located at each end of the lens. Air passes through these forms and through the end plates of the luminaire. A cover plate is provided to control air flow through the luminaire, or make it static as required.
- Integral controls options include sensor mounted architectural form at one end of the lens.
- Bodine EM options require the emergency battery pack be installed with a top side cover. Access from above.
- To estimate lumen output in emergency mode, multiply emergency pack wattage by efficacy, then by 1.10.

## Electrical

- Integral sensor options for occupancy sensing and/or daylight harvesting are available for additional energy savings with no reduction of life or increase in installation labor.
- Standard configurations provide up to 146 lumens per watt and are available with multiple lumen packages and 3000, 3500, 4000, and 5000K color temperatures.
- Base configuration provides up to 141 lumens per watt and are available in 4200 lumen flux and 3500K and 4000K color temperatures.
- LED boards are accessible from below by removal of the lens.
- LED driver is accessible from below by removal of the lens and integral wireway cover.
- Other driver options including step dimming, DALI, Lutron, and other 3rd party drivers upon request are available.
- 5 year manufacturer's limited warranty. Visit [www.genlyte.com/en-us/support/warranties](http://www.genlyte.com/en-us/support/warranties) for complete warranty information.
- TM-21 predicted L70 lumen maintenance up >100,000 hours.
- cETLus listed to UL and CSA standards, suitable for damp locations.
- Base and Standard configurations are IC rated.

## Dimensions

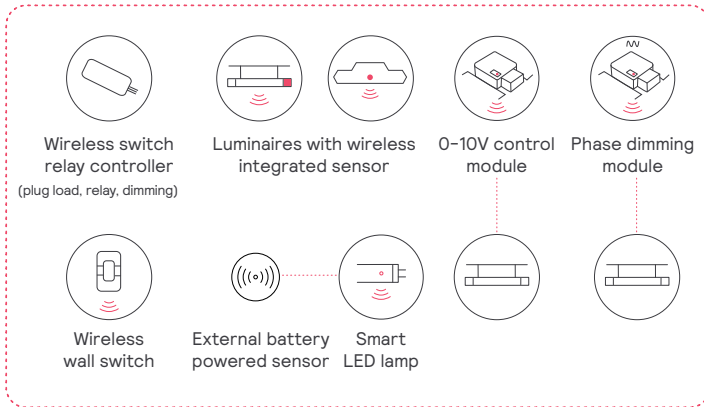


# 2FGX FluxGrid gen 2 recessed 2x4

up to 9000 lumens

**Signify  
interact**

## Easy. Effective. Smart.



### Meet Interact

A smart, wireless luminaire level lighting control system (LLLL). A complete solution that combines modern and intuitive technologies for easy installation and specification.

- Works with or without gateway
- **No** IT
- **No** light point restrictions
- **Up to 75%** out of the box savings
- **Fast & easy**
- **Code & rebates** compliant

### Capabilities



Luminaire integrated occupancy and daylight sensing



BMS integration



Human-centric lighting



Connectivity & insights



Full Automation\*



Security

\*Grouping, zoning, dimming, high-end trimming, scenes, scheduling, manual controls

### Benefits



**Up to 80% installation savings<sup>1</sup>**

Compared to installation costs of wired systems



**Up to 5 min faster setup time<sup>2</sup>**

Compared to similar wireless systems



**Less than 2 year payback**

Implement deep energy-saving strategies and claim utility rebates



**1.8x more energy savings**

Compared to conventional control systems



**Up to 2x utility rebates**

Network Interact ready devices and get more utility rebates<sup>3</sup>

1. Versus legacy systems based on installer interviews
2. Based on installer analysis done by Signify for a typical multi-zone space
3. Utility programs across US

### Just lights and an App



1. Install the Interact ready fixtures with embedded smart sensor
2. Install the wireless wall switch
3. Configure your setup with the Interact App
4. Leverage the IRT9015 remote accessory to accelerate your setup process
5. Optionally add a gateway for insights and management

#### Learn more about Interact:

Interact includes an app, a web portal, and a comprehensive range of Interact ready wireless luminaires, lamps, retrofit kits, and control devices like switches and sensors that operate within the same system.



# 2FGX FluxGrid gen 2 recessed 2x4

up to 9000 lumens

## Controls Options\*

### Interact radio node for Standalone, Gateway & Gateway + IoT tiers (RA)

- RA sensor option is a connected radio node supporting wireless mesh connectivity.
- Compatible with standalone and gateway modes of Interact.

### Interact occupancy & daylight sensor for Standalone, Gateway & Gateway + IoT tiers (CS)

- The CS sensor option is a connected sensor with built-in occupancy and daylight detection, along with wireless mesh connectivity.
- Compatible with standalone and gateway modes of Interact.

### Interact advanced sensor bundle for Gateway + IoT tier (SB)

- SB sensor option offers occupancy and daylight sensing and supports advanced IoT capabilities, such as desk-level temperature and humidity monitoring, noise classification, and Bluetooth Low Energy (BLE) beacon functionality.
- Setup requires a compatible gateway and internet connectivity.
- With compatible gateway and software analytics, SB sensor option enables greater building efficiency, seamless system integration, and optimized space utilization through occupancy and environmental insights.

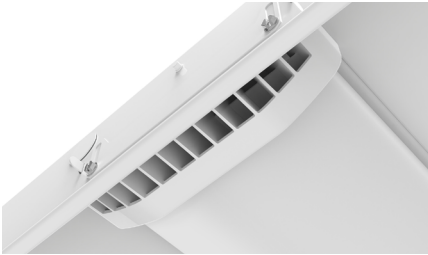
Interact for intelligent buildings sensor option codes across Genlyte product lines\*

	Sensor part #	Daybrite	Ledalite	Lightolier
Zigbee + Bluetooth	SC100B	RADIO	RA	RA
Zigbee + Bluetooth + Sensing	SC200B	SWZCS	CS	SBA or SWCS accessory
Zigbee + Bluetooth + Sensing + Environmental data	SC1500	IAOSB	SB	SBA or SWCS accessory
Zigbee + Highbay + Bluetooth + Sensing	SNH210 IA	SWZCSH	-	-

# 2FGX FluxGrid gen 2 recessed 2x4

up to 9000 lumens

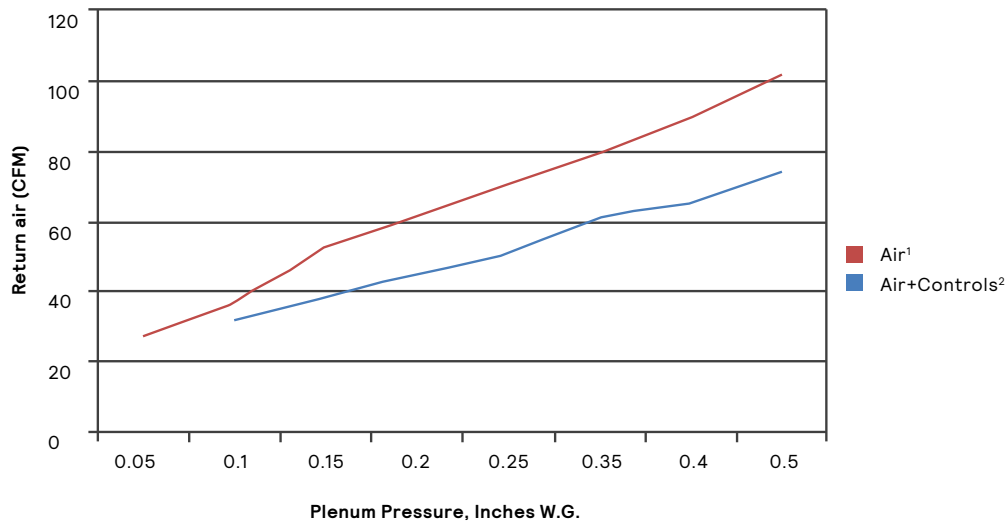
## Air return option



Allows air to flow through vents in the architectural forms located at both ends of the lens. Air blades are provided on each end of the luminaire to control air flow to the plenum.

### Return air data

All luminaire sizes



### Return air - noise criteria

All luminaire sizes

		CFM							
Mode		27	37	53	62	71	80	90	102
Air¹	NC (dB)	<15	24	25	29	33	35	38	40

		CFM							
Mode			31	38	45	51	61	65	74
Air+Controls²	NC (dB)		<15	19	21	25	28	30	34

1. Air-only option includes air return forms and pattern control blades on both ends of luminaire.
2. Air+Controls includes the air return form and pattern control blade on one end of the luminaire. Control form on the other with matching width.

# 2FGX FluxGrid gen 2 recessed 2x4

up to 9000 lumens

## Photometry

	Nominal CRI & CCT		CRI 80, 3000K			CRI 80, 3500K			CRI 80, 4000K			CRI 80, 5000K		
	Nominal Lumen Package (lm)	Watts	Flux (lm)	Efficacy (LPW)	UGR	Flux (lm)	Efficacy (LPW)	UGR	Flux (lm)	Efficacy (LPW)	UGR	Flux (lm)	Efficacy (LPW)	UGR
2FGXG20LXXX-4-RS	2000	14.0	1,900	137.0	18.0	2,002	144.0	17.9	2,036	146.0	18.8	2,036	146.0	18.6
2FGXG38LXXX-4-RS	3800	27.0	3,564	132.0	20.0	3,756	139.0	20.1	3,820	141.0	21.0	3,820	141.0	20.8
2FGXG42BXXX-4-RS	4200	30.0	3,941	131.0	20.3	4,153	138.0	20.5	4,223	141.0	21.3	4,223	141.0	21.1
2FGXG43LXXX-4-RS	4300	31.0	4,051	129.0	20.4	4,269	136.0	20.5	4,341	139.0	21.4	4,341	139.0	21.2
2FGXG48LXXX-4-RS	4800	36.0	4,538	127.0	20.8	4,782	134.0	20.9	4,863	137.0	21.8	4,863	137.0	21.6
2FGXG54LXXX-4-RS	5400	41.0	5,086	125.0	21.2	5,359	132.0	21.3	5,450	134.0	22.2	5,450	134.0	22.0
2FGXG74LXXX-4-RS	7400	56.0	7,178	129.0	22.3	7,564	136.0	22.4	7,692	138.0	23.4	7,692	138.0	23.2
2FGXG85LXXX-4-RS	8500	63.0	8,000	127.0	22.7	8,437	134.0	22.9	8,580	136.0	23.8	8,580	136.0	23.6
2FGXG90LXXX-4-RS	9000	67.0	8,471	126.0	22.9	8,926	133.0	23.1	9,074	135.0	24.0	9,078	135.0	23.8

	Nominal CRI & CCT		CRI 90, 3500K			CRI 90, 4000K			CRI 90, 5000K		
	Nominal Lumen Package (lm)	Watts	Flux (lm)	Efficacy (LPW)	UGR	Flux (lm)	Efficacy (LPW)	UGR	Flux (lm)	Efficacy (LPW)	UGR
2FGXG20LXXX-4-RS	2000	14.0	1,868	134.0	17.9	1,937	139.0	18.4	1,922	138.0	18.4
2FGXG38LXXX-4-RS	3800	27.0	3,504	130.0	20.5	3,634	135.0	20.6	3,606	134.0	20.6
2FGXG42BXXX-4-RS	4200	30.0	3,875	129.0	20.8	4,018	134.0	20.9	3,987	133.0	20.9
2FGXG43LXXX-4-RS	4300	31.0	3,983	127.0	20.9	4,130	132.0	21.0	4,099	131.0	21.0
2FGXG48LXXX-4-RS	4800	36.0	4,462	125.0	21.3	4,627	130.0	21.4	4,591	129.0	21.4
2FGXG54LXXX-4-RS	5400	41.0	5,000	123.0	21.7	5,185	128.0	21.8	5,146	127.0	21.8
2FGXG74LXXX-4-RS	7400	56.0	7,057	126.0	22.9	7,319	131.0	23.0	7,263	130.0	23.0
2FGXG85LXXX-4-RS	8500	63.0	7,872	125.0	23.3	8,163	130.0	23.4	8,101	129.0	23.4
2FGXG90LXXX-4-RS	9000	67.0	8,328	124.0	23.5	8,637	129.0	23.6	8,571	128.0	23.6

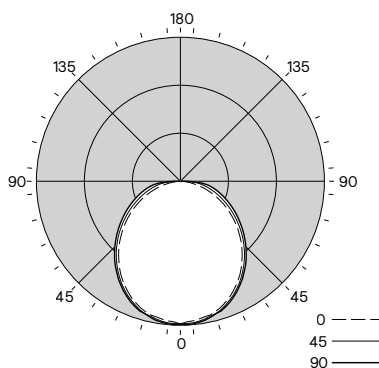
### 2FGXG42B840-4-RS-UNV

Luminaire Lumens	4223
Luminaire Efficacy Rating (LER)	141
Total Luminaire Watts	30.0
Spacing Criterion (0-180)	1.24

	Candela Distribution					Flux Lumens
	0	22.5	45	67.5	90	
0	1487	1487	1487	1487	1487	
5	1461	1475	1482	1487	1492	141
15	1406	1420	1428	1427	1428	401
25	1280	1296	1307	1318	1323	601
35	1105	1117	1135	1150	1156	709
45	895	910	935	955	966	720
55	670	686	720	753	763	643
65	444	465	514	558	573	507
75	225	260	330	385	404	342
85	47	93	161	208	227	156
90	3	8	34	53	60	

Zonal Lumen Summary			
Zone	Lumens	%Fixture	%Lamp
0-30	1143	27.1%	27.1%
0-40	1852	43.8%	43.8%
0-60	3215	76.1%	76.1%
0-90	4219	99.9%	99.9%
0-180	4223	100.0%	100.0%

Avg. Luminance (cd/m <sup>2</sup> )			
	0	90	180
0	2126	2126	2126
5	2096	2126	2142
15	2081	2114	2114
25	2020	2062	2086
35	1928	1982	2018
45	1810	1890	1952
55	1669	1796	1902
65	1501	1737	1938
75	1245	1821	2230
85	765	2645	3725



Coefficients of Utilization %													
Pc---	80				70				50				0
Pw---	70	50	30	10	70	50	30	50	30	10	0	0	
RCR													
0	119	119	119	119	116	116	116	111	111	111	100		
1	108	103	98	94	105	100	96	96	93	89	82		
2	98	89	82	76	95	87	81	84	78	73	68		
3	89	78	70	63	87	77	69	74	67	61	57		
4	82	69	60	53	79	68	59	65	58	52	49		
5	75	62	53	46	73	61	52	59	51	45	42		
6	69	56	47	40	67	55	46	53	45	40	37		
7	64	51	42	35	63	50	41	48	41	35	32		
8	60	46	38	32	58	45	37	44	37	31	29		
9	56	42	34	29	55	42	34	41	33	28	26		
10	53	39	31	26	51	39	31	38	31	26	24		

# 2FGX FluxGrid gen 2 recessed 2x4

up to 9000 lumens

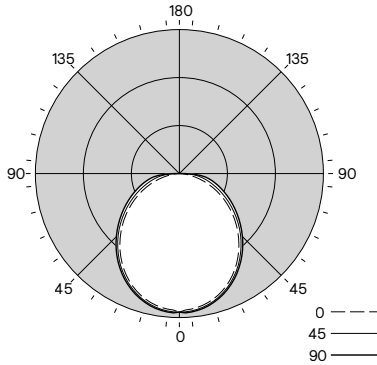
## 2FGXG43L840-4-RS-UNV

**Luminaire Lumens** 4341  
**Luminaire Efficacy Rating (LER)** 139  
**Total Luminaire Watts** 31.3  
**Spacing Criterion (0-180)** 1.24

Candela Distribution						Flux
	0	22.5	45	67.5	90	Lumens
0	1539	1539	1539	1539	1539	
5	1512	1526	1532	1539	1544	145
15	1446	1460	1468	1476	1481	414
25	1316	1330	1341	1353	1358	617
35	1134	1148	1167	1183	1190	728
45	918	934	961	983	990	739
55	688	706	739	772	783	661
65	456	478	527	573	588	521
75	232	267	338	396	415	351
85	48	96	166	216	234	161
90	2	8	35	57	63	

Zonal Lumen Summary			
Zone	Lumens	%Fixture	%Lamp
0-30	1176	27.1%	27.1%
0-40	1905	43.9%	43.9%
0-60	3304	76.1%	76.1%
0-90	4337	99.9%	99.9%
0-180	4341	100.0%	100.0%

Avg. Luminance (cd/m <sup>2</sup> )			
	0	90	180
0	2201	2201	2201
5	2169	2199	2215
15	2139	2173	2192
25	2076	2116	2143
35	1979	2036	2076
45	1857	1942	2002
55	1715	1843	1952
65	1543	1782	1989
75	1280	1867	2292
85	793	2728	3841



Coefficients of Utilization %													
Pc---	80				70				50				0
Pw---	70	50	30	10	70	50	30	50	30	10	0	0	
RCR													
0	119	119	119	119	116	116	116	111	111	111	100		
1	108	103	98	94	105	100	96	96	93	89	82		
2	98	89	82	76	95	87	81	84	78	73	68		
3	89	78	70	63	87	77	69	74	67	61	57		
4	82	69	60	53	79	68	59	65	58	52	49		
5	75	62	53	46	73	61	52	59	51	45	42		
6	69	56	47	40	67	55	46	53	45	40	37		
7	64	51	42	36	63	50	41	48	41	35	33		
8	60	46	38	32	58	46	37	44	37	31	29		
9	56	42	34	29	55	42	34	41	33	28	26		
10	53	39	31	26	51	39	31	38	31	26	24		

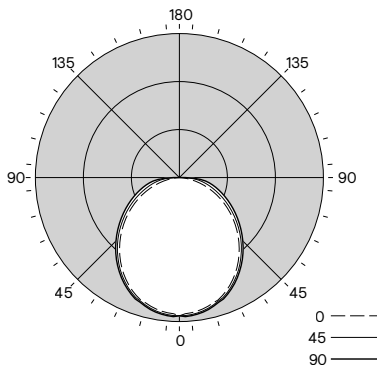
## 2FGXG54L840-4-RS-UNV

**Luminaire Lumens** 5450  
**Luminaire Efficacy Rating (LER)** 134  
**Total Luminaire Watts** 40.6  
**Spacing Criterion (0-180)** 1.24

Candela Distribution						Flux
	0	22.5	45	67.5	90	Lumens
0	1920	1920	1920	1920	1920	
5	1885	1903	1911	1919	1926	181
15	1803	1821	1830	1841	1847	517
25	1654	1670	1685	1699	1707	775
35	1425	1442	1465	1485	1495	915
45	1154	1174	1207	1233	1245	928
55	865	888	929	969	985	830
65	574	601	662	720	740	654
75	291	335	426	498	522	441
85	60	119	208	270	295	202
90	3	10	44	71	80	

Zonal Lumen Summary			
Zone	Lumens	%Fixture	%Lamp
0-30	1473	27.0%	27.0%
0-40	2388	43.8%	43.8%
0-60	4147	76.1%	76.1%
0-90	5444	99.9%	99.9%
0-180	5450	100.0%	100.0%

Avg. Luminance (cd/m <sup>2</sup> )			
	0	90	180
0	2745	2745	2745
5	2705	2742	2764
15	2668	2709	2734
25	2609	2658	2693
35	2486	2557	2609
45	2334	2440	2518
55	2155	2316	2456
65	1940	2240	2504
75	1609	2353	2884
85	983	3414	4833



Coefficients of Utilization %													
Pc---	80				70				50				0
Pw---	70	50	30	10	70	50	30	50	30	10	0	0	
RCR													
0	119	119	119	119	116	116	116	111	111	111	100		
1	108	103	98	94	105	100	96	96	93	89	82		
2	98	89	82	76	95	87	81	84	78	73	68		
3	89	78	70	63	87	77	69	74	67	61	57		
4	82	69	60	53	79	68	59	65	58	52	48		
5	75	62	53	46	73	61	52	59	51	45	42		
6	69	56	47	40	67	55	46	53	45	40	37		
7	64	51	42	36	63	50	41	48	41	35	32		
8	60	46	38	32	58	45	37	44	37	31	29		
9	56	42	34	29	55	42	34	41	33	28	26		
10	52	39	31	26	51	39	31	38	31	26	24		

© 2026 Signify Holding. All rights reserved. The information provided herein is subject to change, without notice. Signify does not give any representation or warranty as to the accuracy or completeness of the information included herein and shall not be liable for any action in reliance thereon. The information presented in this document is not intended as any commercial offer and does not form part of any quotation or contract, unless otherwise agreed by Signify.



Signify North America Corp.  
 400 Crossing Blvd, Suite 600  
 Bridgewater, NJ 08807  
 Telephone: 800-555-0050

Signify Canada Ltd.  
 281 Hillmount Road,  
 Markham, ON, Canada L6C 2S3  
 Telephone: 800-668-9008

All trademarks are owned by Signify Holding or their respective owners.