

FluxGrid recessed luminaires offer architectural appeal with “must have” features. Four different lens styles, discrete air return, integral emergency, and access to the LED boards and driver from below the ceiling make FluxGrid an ideal solution for a wide range of applications. FluxGrid also offers premium options including Interact controls, AccuRender CRI 90+ LEDs in static CCTs or Tunable White, FirstLink connected battery packs, and BioUp high melanopic (MDER) tunable technology to enhance your daily life.

Project: _____
 Location: _____
 Cat.No: _____
 Type: _____
 Qty: _____
 Notes: _____

Ordering guide

Standard configurations available with all choices, unless otherwise noted. **Base configurations selections indicated by blue.**

Example: 1FGXG42B840-4-RS-UNV-DIM

Width	Family	Ceiling Type	Air Function	Lumens (nominal)	Color	Length	Center Diffuser	Voltage	Driver	Options
1	FGX	G				4				
1' 1"	FGX FluxGrid	G Grid	Blank Static H Air return	Base Config. 42B 4200 Standard Config. 15L 1500 30L 3000 38L 3800 45L 4500 54L 5400	830 80 CRI, 3000K 835 80 CRI, 3500K 840 80 CRI, 4000K 850 80 CRI, 5000K 935 90 CRI, 3500K 940 90 CRI, 4000K 950 90 CRI, 5000K 9TW¹⁴ 90 CRI, 2700K-6500K BIO¹⁴ 90 CRI, 2700K-5000K	4' 4"	FS Diffuse flat smooth RS Diffuse round smooth F Diffuse flat ribbed R Diffuse round ribbed	UNV Universal 120-277V 347 347V	DIM¹ Dimming SDIM Step dimming to 30% input power LDE⁵ Lutron LDE1 1% dimming DALI DALI	F1¹⁰ 3/8" Flex, 18 ga., 6', 3-wire (non-dimming) F2 3/8" Flex, 18 ga., 6', 4-wire (non-dimming, emergency) F1/D^{10,13} 3/8" Twin Flex, 18 ga., 6', 3-wire and 2-wire (dimming) F2/5W^{10,13} 3/8" Flex, 18 ga., 6', 5-wire (dimming) F2/6W¹³ 3/8" Flex, 18 ga., 6', 6-wire (dimming, emergency) GLR Fusing, fast blow CHIC¹⁷ Chicago Plenum rated LDE⁵ Bodine 10W self-testing battery pack EM10⁴ Bodine 6W self-testing battery pack EM06⁴ Bodine 10W FirstLink Connected battery pack EM10FL^{4,16} Quick driver disconnect DSC¹⁵ UL924 listed sensor bypass relay, factory installed between driver & sensor ER100^{3,6,7,9} UL924 listed Bodine GTD factory installed on driver input GTD/E^{4,6} UL924 listed Bodine GTD factory installed between driver & sensor GTD/SNSR^{4,6,7} Basic occupancy and daylight sensing DAYOCC^{2,9} Interact wireless sensor with integral daylight & occupancy sensing, advanced grouping with dwell time SWZCS^{2,8} Interact RF sensor for wireless connectivity only, no sensing RADIO² Interact Pro wireless sensor with occupancy, daylight, and environmental sensing capabilities IAOSB^{2,8} Lutron Athena Occupancy sensing AWNOCC² Lutron Athena RF only AWNRF² Lutron Athena RF only VIVEOCC^{2,5} Lutron VIVE Occupancy sensing VIVERF^{2,5} Lutron VIVE RF only AG Antimicrobial finish BAC¹¹ Meets the requirements of the Buy American Act of 1933 (BAA) BABAF¹¹ Meets the requirements of the Build America Buy America Act for projects funded through FHWA that are obligated before October 1, 2026, and meets the Buy America preferences for FTA

- Integral controls options dimmable to 1% via wireless wall switch. Non-controls options are dimmable to 1% for Standard configurations, and to 10% for Base configurations.
- Specify only with -DIM driver option.
- The **ER100** option is not available with Bodine **EM** battery packs.
- Not available with **347V**.
- Option is qualified as Engineered-to-Order (ETO) ready. Lead times and minimum order quantities may vary, please consult factory.
- Must be installed in conjunction with a **UL1008** device.
- Must be ordered with an Interact or Lutron sensor option.
- Must order **IRT9015** Interact commissioning remote with each system order.
- The **ER100** is not available with **DAYOCC**.
- The **F1** & **F2/5W** is not available with Emergency options.
- Failure to properly select the "BAC" suffix could result in you receiving product that is not BAA compliant product with no recourse for an RMA or refund. This BAC designation hereunder does not address (i) the applicability of, or availability of a waiver under, the Trade Agreements Act, or (ii) the "Buy America" domestic content requirements imposed on states, localities, and other non-federal entities as a condition of receiving funds administered by the Department of Transportation or other federal agencies. Genlyte's products with a BAC option code designation are manufactured in the US and utilize a BAA COTS exemption rule for compliance. "BABAF" designates the product will meet the standards set by FHWA for BABA and FTA for Buy America. As noted, for FHWA BABA compliance, applicable projects must be funded by October 1, 2026.
- Consult Genlyte to confirm whether specific accessories are **BAA**-compliant.
- Flex with dimming not available with Interact & Lutron sensors.
- Tunable White and BioUp options are available with Interact scalable wireless or with 2ch 0-10V or DALI-2 wired drivers. Valid lumen output ranges are: 9TW: 2X2: 15L-45L; 1X4: 15L-45L; 2X4: 20L-48L. BioUp: 2x2: 15L-38L; 1x4: 15L-45L; 2x4: 20L-43L
- The **DSC** not available with Emergency options.
- FirstLink can be combined with either Air Return or Sensor options, but not both at the same time.
- Air Return configurations cannot be combined with Chicago Plenum (see EvoGrid for this option combination)

Accessories¹² (order separately)

- FSF14** - 1'x4' surface mount field installation kit (field assembled)
- FMA14** - 1'x4' "F" mounting frame for NEMA "F" ceiling
- FSK14** - 1'x4' surface mount field installation kit (factory welded seams)

Replacement Lens (order separately)

- FGXRS4L** - FGX 4' round smooth replacement lens
- FGXR4L** - FGX 4' round ribbed replacement lens
- FGXFS4L** - FGX 4' flat smooth replacement lens
- FGXF4L** - FGX 4' flat ribbed replacement lens
- FGXHFS4L** - FGX 4' air return flat smooth replacement lens
- FGXHF4L** - FGX 4' air return flat ribbed replacement lens
- FGXHRS4L** - FGX 4' air return round smooth replacement lens
- FGXHR4L** - FGX 4' air return round ribbed replacement lens
- FGXCFS4L** - FGX 4' controls flat smooth replacement lens
- FGXCF4L** - FGX 4' controls flat ribbed replacement lens
- FGXCRS4L** - FGX 4' controls round smooth replacement lens
- FGXCR4L** - FGX 4' controls round ribbed replacement lens

SWZCS accessories (order separately)

- IRT9015** - handheld remote for grouping and configuration (at least one remote required for any SWZCS installation).

Not all product variations listed on this page are DLC qualified. To ensure that a specific model is qualified, visit www.designlights.org/search



1FGX FluxGrid gen 2 recessed 1x4

up to 5400 lumens

Application

- 3-1/8" deep low profile configuration provides minimal penetration into the plenum space.
- Acrylic diffusers available in round and flat smooth configurations which provides even illumination with comfortable appeal.
- Standard and base configurations available in multiple lumen packages to suit the needs of various applications.
- Lambertian distribution creates uniform horizontal and vertical illuminance on the work plane and reduces scalloping on the walls.
- CRI 80 minimum color rendering with balanced spectrum.
- LEDs coupled with standard dimming provide prolonged lumen maintenance. Optional integral sensors contribute further to LED lumen maintenance.
- Designed for use with standard Grid (NEMA "G") or Narrow Grid (NEMA "NFG") ceiling T-bars. Drywall or plaster requirements can be accommodated by using an FMA14 "F" mounting frame (sold separately).
- Continuous row mount capable with 24"/48" standard on center grids. Requires T-Bar between fixtures. K.O's available on both ends of fixtures and require a 1" conduit connection between fixtures for install (by others).

General notes

- All options are factory installed.
- All accessories are field installed.
- Declare label certified, ID SIG-0021 ([View full Declare label](#))
- Many luminaire components, such as reflectors, refractors, lenses, sockets, lampholders, and LEDs are made from various types of plastics which can be adversely affected by airborne contaminants. If sulfur based chemicals, petroleum based products, cleaning solutions, or other contaminants are expected in the intended area of use, consult factory for compatibility.

Enclosure

- Opal acrylic diffuser provides visually comfortable lumenance without compromise to luminaire efficacy.
- Diffuser requires no frames or fasteners and can be easily removed from below.

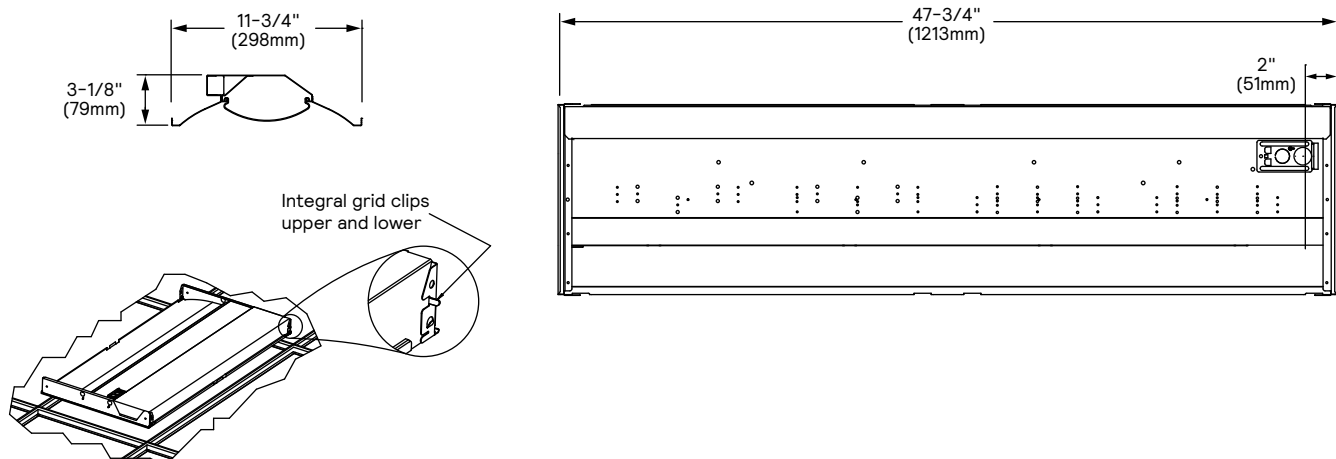
Construction/Finish

- Metal side covers are die formed with a conical shape to enhance light distribution and visual aesthetic.
- Luminaire finish is matte white polyester powder coat for high quality, durable finish.
- T-bar grid clips are integral to the body.
- Air return option provides air flow through architectural forms located at each end of the lens. Air passes through these forms and through the end plates of the luminaire. A cover plate is provided to control air flow through the luminaire, or make it static as required.
- Integral controls options include sensor mounted architectural form at one end of the lens.
- Bodine EM options require the emergency battery pack be installed with a top side cover. Access from above.
- To estimate lumen output in emergency mode, multiply emergency pack wattage by efficacy, then by 1.10.

Electrical

- Integral sensor options for occupancy sensing and/or daylight harvesting are available for additional energy savings with no reduction of life or increase in installation labor.
- Standard configurations provide up to 146 lumens per watt and are available with multiple lumen packages and 3000, 3500, 4000, and 5000K color temperatures.
- Base configuration provides up to 141 lumens per watt and are available in 4200 lumen flux and 3500K and 4000K color temperatures.
- LED boards are accessible from below by removal of the lens.
- LED driver is accessible from below by removal of the lens and integral wireway cover.
- Other driver options including step dimming, DALI, Lutron, and other 3rd party drivers upon request are available.
- 5 year manufacturer's limited warranty. Visit www.genlyte.com/en-us/support/warranties for complete warranty information.
- TM-21 predicted L70 lumen maintenance up >100,000 hours.
- cETLus listed to UL and CSA standards, suitable for damp locations.
- Base and Standard configurations are IC rated.

Dimensions

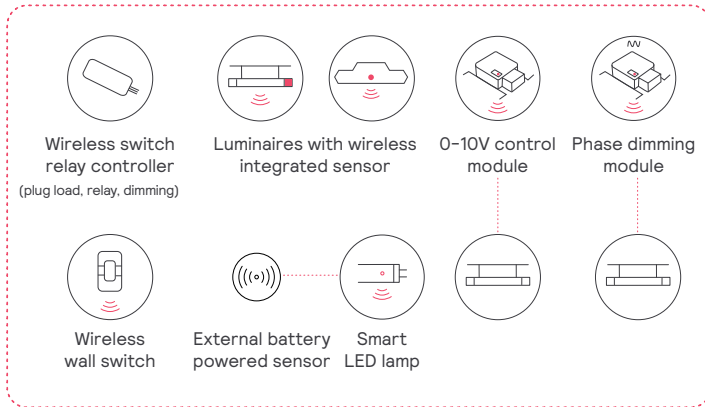


1FGX FluxGrid gen 2 recessed 1x4

up to 5400 lumens

**Signify
interact**

Easy. Effective. Smart.



Meet Interact

A smart, wireless luminaire level lighting control system (LLLL). A complete solution that combines modern and intuitive technologies for easy installation and specification.

- Works with or without gateway
- **No** IT
- **No** light point restrictions
- **Up to 75%** out of the box savings
- **Fast & easy**
- **Code & rebates** compliant

Capabilities



Luminaire integrated occupancy and daylight sensing



BMS integration



Human-centric lighting



Connectivity & insights



Full Automation*



Security

*Grouping, zoning, dimming, high-end trimming, scenes, scheduling, manual controls

Benefits



Up to 80% installation savings¹

Compared to installation costs of wired systems



Up to 5 min faster setup time²

Compared to similar wireless systems



Less than 2 year payback

Implement deep energy-saving strategies and claim utility rebates



1.8x more energy savings

Compared to conventional control systems



Up to 2x utility rebates

Network Interact ready devices and get more utility rebates³

1. Versus legacy systems based on installer interviews
2. Based on installer analysis done by Signify for a typical multi-zone space
3. Utility programs across US

Just lights and an App



1. Install the Interact ready fixtures with embedded smart sensor
2. Install the wireless wall switch
3. Configure your setup with the Interact App
4. Leverage the IRT9015 remote accessory to accelerate your setup process
5. Optionally add a gateway for insights and management

Learn more about Interact:

Interact includes an app, a web portal, and a comprehensive range of Interact ready wireless luminaires, lamps, retrofit kits, and control devices like switches and sensors that operate within the same system.



1FGX FluxGrid gen 2 recessed 1x4

up to 5400 lumens

Controls Options*

Interact radio node for Standalone,

Gateway & Gateway + IoT tiers (RA)

- RA sensor option is a connected radio node supporting wireless mesh connectivity.
- Compatible with standalone and gateway modes of Interact.

Interact occupancy & daylight sensor for Standalone, Gateway & Gateway + IoT tiers

(CS)

- The CS sensor option is a connected sensor with built-in occupancy and daylight detection, along with wireless mesh connectivity.
- Compatible with standalone and gateway modes of Interact.

Interact advanced sensor bundle for

Gateway + IoT tier (SB)

- SB sensor option offers occupancy and daylight sensing and supports advanced IoT capabilities, such as desk-level temperature and humidity monitoring, noise classification, and Bluetooth Low Energy (BLE) beacon functionality.
- Setup requires a compatible gateway and internet connectivity.
- With compatible gateway and software analytics, SB sensor option enables greater building efficiency, seamless system integration, and optimized space utilization through occupancy and environmental insights.

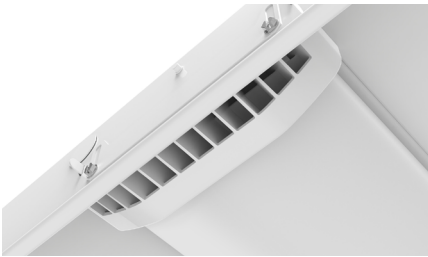
Interact for intelligent buildings sensor option codes across Genlyte product lines*

	Sensor part #	Daybrite	Ledalite	Lightolier
Zigbee + Bluetooth	SC100B	RADIO	RA	RA
Zigbee + Bluetooth + Sensing	SC200B	SWZCS	CS	SBA or SWCS accessory
Zigbee + Bluetooth + Sensing + Environmental data	SC1500	IAOSB	SB	SBA or SWCS accessory
Zigbee + Highbay + Bluetooth + Sensing	SNH210 IA	SWZCSH	-	-

1FGX FluxGrid gen 2 recessed 1x4

up to 5400 lumens

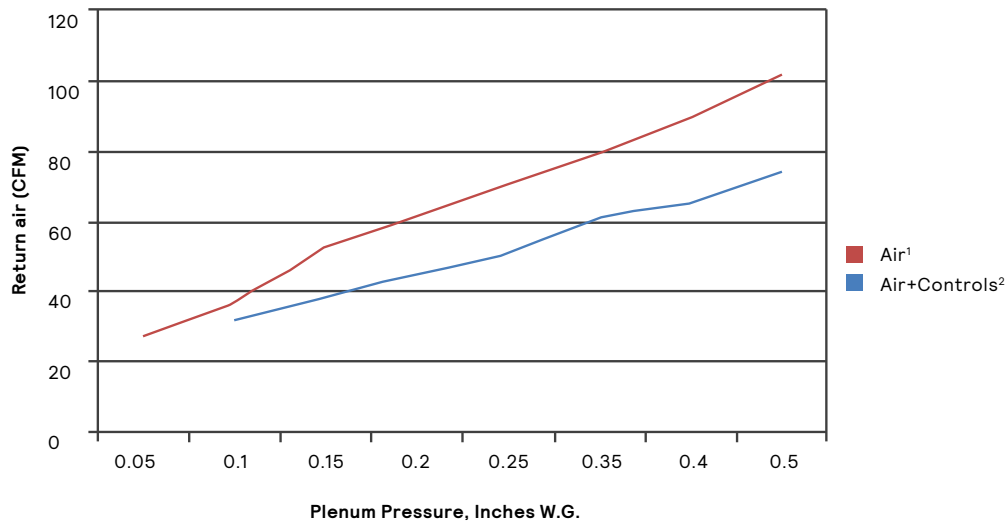
Air return option



Allows air to flow through vents in the architectural forms located at both ends of the lens. Air blades are provided on each end of the luminaire to control air flow to the plenum.

Return air data

All luminaire sizes



Return air - noise criteria

All luminaire sizes

		CFM							
Mode		27	37	53	62	71	80	90	102
Air¹	NC (dB)	<15	24	25	29	33	35	38	40

		CFM							
Mode			31	38	45	51	61	65	74
Air+Controls²	NC (dB)		<15	19	21	25	28	30	34

1. Air-only option includes air return forms and pattern control blades on both ends of luminaire.
2. Air+Controls includes the air return form and pattern control blade on one end of the luminaire. Control form on the other with matching width.

1FGX FluxGrid gen 2 recessed 1x4

up to 5400 lumens

Photometry

	Nominal CRI & CCT		CRI 80, 3000K			CRI 80, 3500K			CRI 80, 4000K			CRI 80, 5000K		
	Nominal Lumen Package (lm)	Watts	Flux (lm)	Efficacy (LPW)	UGR	Flux (lm)	Efficacy (LPW)	UGR	Flux (lm)	Efficacy (LPW)	UGR	Flux (lm)	Efficacy (LPW)	UGR
1FGXG15LXXX-4-RS	1500	10.4	1,414	136.0	17.2	1,490	143.0	17.4	1,516	146.0	17.8	1,516	146.0	17.3
1FGXG30LXXX-4-RS	3000	21.3	2,838	134.0	19.6	2,991	141.0	19.8	3,042	143.0	20.3	3,042	143.0	19.8
1FGXG38LXXX-4-RS	3800	27.4	3,584	131.0	20.4	3,777	138.0	20.6	3,841	140.0	21.1	3,841	140.0	20.6
1FGXG42BXXX-4-RS	4200	29.9	3,906	130.0	20.7	4,116	137.0	20.9	4,186	140.0	21.4	4,186	140.0	20.9
1FGXG45LXXX-4-RS	4500	33.6	4,302	128.0	21.1	4,533	135.0	21.3	4,610	137.0	21.7	4,610	137.0	21.2
1FGXG54LXXX-4-RS	5400	41.1	5,096	124.0	21.7	5,371	131.0	21.7	5,462	133.0	21.7	5,462	133.0	21.8

	Nominal CRI & CCT		CRI 90, 3500K			CRI 90, 4000K			CRI 90, 5000K		
	Nominal Lumen Package (lm)	Watts	Flux (lm)	Efficacy (LPW)	UGR	Flux (lm)	Efficacy (LPW)	UGR	Flux (lm)	Efficacy (LPW)	UGR
1FGXG15LXXX-4-RS	1500	10.4	1,391	134.0	17.0	1,442	139.0	17.2	1,431	138.0	17.1
1FGXG30LXXX-4-RS	3000	21.1	2,791	132.0	19.5	2,894	137.0	19.6	2,872	135.0	19.6
1FGXG38LXXX-4-RS	3800	27.5	3,524	129.0	20.3	3,654	133.0	20.4	3,626	132.0	20.4
1FGXG42BXXX-4-RS	4200	29.9	3,840	128.0	20.7	3,983	133.0	20.7	3,952	132.0	20.7
1FGXG45LXXX-4-RS	4500	33.7	4,230	126.0	20.9	4,386	130.0	21.0	4,353	129.0	21.0
1FGXG54LXXX-4-RS	5400	41.2	5,011	122.0	21.5	5,196	126.0	21.6	5,157	125.0	21.6

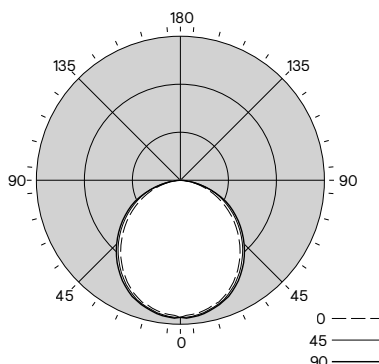
1FGXG42B840-4-RS-UNV

Luminaire Lumens 4186
 Luminaire Efficacy Rating (LER) 140
 Total Luminaire Watts 30.0
 Spacing Criterion (0-180) 1.25

	Candela Distribution					Flux
	0	22.5	45	67.5	90	Lumens
0	1523	1523	1523	1523	1523	
5	1497	1510	1518	1524	1526	144
15	1431	1446	1456	1462	1467	411
25	1315	1329	1341	1356	1363	618
35	1134	1153	1173	1190	1199	732
45	920	940	972	993	1001	746
55	693	717	749	774	785	666
65	459	488	523	551	556	511
75	234	267	291	283	278	290
85	47	62	55	49	48	68
90	2	2	2	2	2	

Zonal Lumen Summary			
Zone	Lumens	%Fixture	%Lamp
0-30	1173	28.0%	28.0%
0-40	1905	45.5%	45.5%
0-60	3316	79.2%	79.2%
0-90	4186	100.0%	100.0%
0-180	4186	100.0%	100.0%

Avg. Luminance (cd/m ²)			
	0	90	180
0	4645	4645	4645
5	4582	4647	4671
15	4517	4598	4632
25	4426	4513	4587
35	4223	4366	4466
45	3966	4191	4318
55	3684	3985	4172
65	3310	3776	4013
75	2758	3426	3274
85	1641	1938	1663



Coefficients of Utilization %												
Pc---	80				70				50			
Pw---	70	50	30	10	70	50	30	50	30	10	0	
RCR												
0	119	119	119	119	116	116	116	111	111	111	100	
1	109	104	100	96	106	102	98	98	94	91	84	
2	99	91	84	78	96	89	83	85	80	75	70	
3	90	80	72	65	88	78	71	75	69	63	59	
4	83	71	62	55	80	69	61	67	60	54	50	
5	76	63	54	48	74	62	54	60	52	47	44	
6	70	57	48	42	68	56	47	54	47	41	38	
7	65	52	43	37	63	51	42	49	42	36	34	
8	61	47	39	33	59	46	38	45	38	32	30	
9	57	43	35	29	55	43	35	41	34	29	27	
10	53	40	32	27	52	39	32	38	31	27	25	

1FGX FluxGrid gen 2 recessed 1x4

up to 5400 lumens

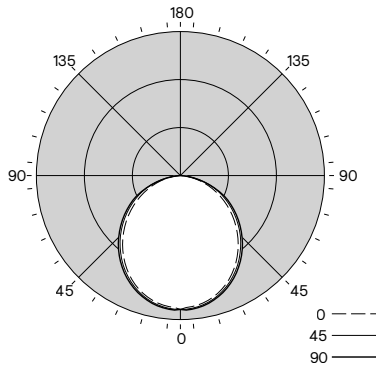
1FGXG30L840-4-RS-UNV

Luminaire Lumens 3042
 Luminaire Efficacy Rating (LER) 144
 Total Luminaire Watts 21.2
 Spacing Criterion (0-180) 1.24

Candela Distribution						Flux
	0	22.5	45	67.5	90	Lumens
0	1115	1115	1115	1115	1115	
5	1096	1106	1110	1115	1118	105
15	1049	1059	1065	1071	1074	300
25	956	966	976	985	990	449
35	825	836	853	865	871	532
45	669	684	706	721	727	542
55	503	521	545	562	569	484
65	334	355	380	400	403	371
75	171	194	211	204	200	211
85	34	44	40	35	33	49
90	1	1	1	1	1	

Zonal Lumen Summary			
Zone	Lumens	%Fixture	%Lamp
0-30	854	28.1%	28.1%
0-40	1386	45.6%	45.6%
0-60	2411	79.3%	79.3%
0-90	3042	100.0%	100.0%
0-180	3042	100.0%	100.0%

Avg. Luminance (cd/m ²)			
	0	90	180
0	3402	3402	3402
5	3356	3399	3422
15	3313	3362	3392
25	3219	3283	3330
35	3071	3174	3244
45	2887	3045	3135
55	2674	2895	3023
65	2408	2745	2909
75	2011	2482	2352
85	1199	1381	1153



Coefficients of Utilization %													
Pc---	80				70				50				0
Pw---	70	50	30	10	70	50	30	50	30	10	0	0	
RCR													
0	119	119	119	119	116	116	116	111	111	111	100		
1	109	104	100	96	106	102	98	98	94	91	84		
2	99	91	84	78	96	89	83	85	80	76	70		
3	90	80	72	65	88	78	71	75	69	63	59		
4	83	71	62	55	80	69	61	67	60	54	50		
5	76	63	54	48	74	62	54	60	52	47	44		
6	70	57	48	42	68	56	48	54	47	41	38		
7	65	52	43	37	63	51	43	49	42	36	34		
8	61	47	39	33	59	46	38	45	38	32	30		
9	57	43	35	30	55	43	35	42	34	29	27		
10	53	40	32	27	52	39	32	38	31	27	25		

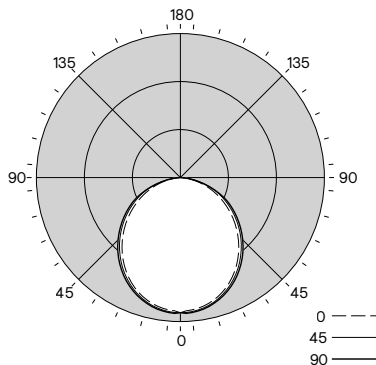
1FGXG38L840-4-RS-UNV

Luminaire Lumens 3841
 Luminaire Efficacy Rating (LER) 140
 Total Luminaire Watts 27.4
 Spacing Criterion (0-180) 1.25

Candela Distribution						Flux
	0	22.5	45	67.5	90	Lumens
0	1408	1408	1408	1408	1408	
5	1384	1396	1401	1407	1411	133
15	1324	1336	1344	1351	1356	379
25	1207	1219	1231	1243	1250	567
35	1041	1055	1076	1092	1100	671
45	845	863	891	910	918	684
55	634	658	687	710	718	611
65	422	448	480	505	509	468
75	214	245	266	258	253	266
85	44	56	51	45	42	63
90	2	2	2	2	2	

Zonal Lumen Summary			
Zone	Lumens	%Fixture	%Lamp
0-30	1078	28.1%	28.1%
0-40	1750	45.6%	45.6%
0-60	3044	79.3%	79.3%
0-90	3841	100.0%	100.0%
0-180	3841	100.0%	100.0%

Avg. Luminance (cd/m ²)			
	0	90	180
0	4293	4293	4293
5	4236	4290	4319
15	4181	4244	4280
25	4060	4143	4205
35	3877	4005	4096
45	3644	3842	3960
55	3372	3655	3817
65	3043	3464	3674
75	2525	3135	2976
85	1521	1768	1482



Coefficients of Utilization %													
Pc---	80				70				50				0
Pw---	70	50	30	10	70	50	30	50	30	10	0	0	
RCR													
0	119	119	119	119	116	116	116	111	111	111	100		
1	109	104	100	96	106	102	98	98	94	91	84		
2	99	91	84	78	96	89	83	85	80	75	70		
3	90	80	72	65	88	78	71	75	69	63	59		
4	83	71	62	55	80	69	61	67	60	54	50		
5	76	63	54	48	74	62	54	60	52	47	44		
6	70	57	48	42	68	56	48	54	47	41	38		
7	65	52	43	37	63	51	42	49	42	36	34		
8	61	47	39	33	59	46	38	45	38	32	30		
9	57	43	35	30	55	43	35	42	34	29	27		
10	53	40	32	27	52	39	32	38	31	27	25		

1FGX FluxGrid gen 2 recessed 1x4

up to 5400 lumens

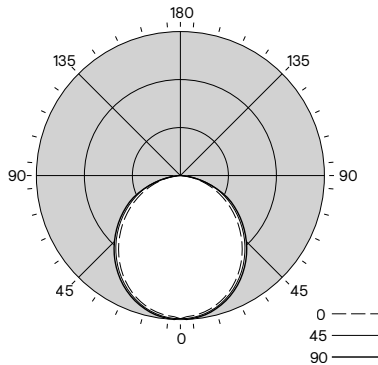
1FGXG45L840-4-RS-UNV

Luminaire Lumens	4610
Luminaire Efficacy Rating (LER)	137
Total Luminaire Watts	33.7
Spacing Criterion (0-180)	1.24

	Candela Distribution					Flux
	0	22.5	45	67.5	90	Lumens
0	1690	1690	1690	1690	1690	
5	1661	1676	1682	1689	1694	160
15	1590	1604	1614	1622	1628	455
25	1449	1463	1479	1492	1500	680
35	1250	1267	1292	1311	1320	806
45	1014	1036	1070	1093	1101	821
55	763	788	825	853	861	733
65	507	537	577	607	611	562
75	258	294	320	310	303	319
85	52	67	61	53	50	75
90	2	2	2	2	2	

Zonal Lumen Summary			
Zone	Lumens	%Fixture	%Lamp
0-30	1295	28.1%	28.1%
0-40	2101	45.6%	45.6%
0-60	3654	79.3%	79.3%
0-90	4610	100.0%	100.0%
0-180	4610	100.0%	100.0%

Avg. Luminance (cd/m ²)			
	0	90	180
0	5154	5154	5154
5	5085	5150	5185
15	5019	5095	5139
25	4876	4976	5046
35	4655	4812	4914
45	4374	4615	4750
55	4055	4388	4578
65	3656	4164	4407
75	3036	3766	3566
85	1834	2124	1752



Coefficients of Utilization %													
Pc---	80				70				50				0
Pw---	70	50	30	10	70	50	30	10	50	30	10	0	
RCR													
0	119	119	119	119	116	116	116	111	111	111	110	100	
1	109	104	100	96	106	102	98	98	94	91	84	84	
2	99	91	84	78	96	89	83	85	80	76	70	70	
3	90	80	72	65	88	78	71	75	69	63	59	59	
4	83	71	62	55	80	69	61	67	60	54	50	50	
5	76	63	54	48	74	62	54	60	52	47	44	44	
6	70	57	48	42	68	56	48	54	47	41	38	38	
7	65	52	43	37	63	51	43	49	42	36	34	34	
8	61	47	39	33	59	46	38	45	38	32	30	30	
9	57	43	35	30	55	43	35	42	34	29	27	27	
10	53	40	32	27	52	39	32	38	31	27	25	25	