



SyncLine's slim design rivals that of high-end LED luminaires with performance that's in sync with your budget. SyncLine offers premium quality of light with AccuRender high efficacy CRI 90+. Options include Interact, AccuRender Tunable White and new BioUp high melanopic tunable technology to enhance your daily life.

SyncLine includes AccuRender technology for the highest color quality at the highest efficacy.

Project: _____
 Location: _____
 Cat.No: _____
 Type: _____
 Line ID: _____ Qty: _____
 Notes: _____

Ordering guide ¹¹

example: SL36L9353050AN08DEGNNW, WA

Family	Version ¹⁰	Distribution	Source	CRI/CCT ^{1,5}	
SL			L		
SL SyncLine	2 Wall - one light engine	1 Direct 3 Indirect 6 Direct / Indirect	L LED	950 CRI 90, 5000K 940 CRI 90, 4000K 935 CRI 90, 3500K	930 CRI 90, 3000K 927 CRI 90, 2700K 9T2 CRI 90, 2700-6500K 2ch Tunable White (confirm controls) BIO CRI 80+, 2700-5000K 2ch BioUp (confirm controls)
	3 Wall - two light engines	6 Direct / Indirect			
Lumens ¹		Optics		Run Length	
One light engine ²	Total fixture lumens 70 7000 lm/4ft 60 6000 lm/4ft 50 5000 lm/4ft 40 4000 lm/4ft 30 3000 lm/4ft 20 2000 lm/4ft	NN D/I lumens determined by optics	AJ Acrylic Diffuser (100% Down, Max 4000lm/4ft) NA Dust Cover (100% Up) NB Open - No Dust Cover (100% Up) AA Acrylic Diffuser/Dust Cover (30% Down/70% Up) AB Acrylic Diffuser/Open - No Dust Cover (20% Down/80% Up) AD Acrylic Diffuser/Dust Cover (50% Down/50% Up) AE Acrylic Diffuser/Open - No Dust Cover (40% Down/60% Up) AG Acrylic Diffuser/Dust Cover (80% Down/20% Up, Max 5000lm/4ft)	O4 4ft O6 6ft O8 8ft XX Continuous run in 2ft increments > 4ft (please specify)	
	Lumens (Direct) 40 4000 lm/4ft 35 3500 lm/4ft 30 3000 lm/4ft 25 2500 lm/4ft 20 2000 lm/4ft 15 1500 lm/4ft 10 1000 lm/4ft		Lumens (Indirect) 70 7000 lm/4ft 60 6000 lm/4ft 50 5000 lm/4ft 40 4000 lm/4ft 30 3000 lm/4ft 20 2000 lm/4ft 10 1000 lm/4ft	AN Acrylic Diffuser Down/Freeform lens up D/I ratio determined by lumen packages	
Two light engines ²					
Voltage ³	Driver ^{3,7}	Circuit ^{2, 8, 10}	Wiring Option ^{2, 3, 6, 8, 12}	System/Controls ^{4, 7, 9}	
D UNV 120-277V 3 347V	X Advance 0-10V (10% Dim) E Advance Xitanium 0-10V (1% Dim)	1 Single Circuit V Single Circuit + 1 Thru Wire (BP Trigger) F Single Circuit + 4 Thru Wires (Mains & Dimming) G Dual Circuit (Up/Dn) W Dual Circuit (Up/Dn) + 1 Thru Wire (BP Trigger)	N None B Battery Pack E Auxiliary Wiring G GTD (please specify voltage)	NN None	
D UNV 120-277V	D Advance Xitanium DALI-2 (5% Dim) H Lutron EcoSystem LDE1 (<1% Dim, Fade-to-Black)	1 Single Circuit V Single Circuit + 1 Thru Wire (BP Trigger)	N None B Battery Pack R UL924 Sensor Bypass Relay	NN None RA Interact Pro RF sensor, enables wireless connected lighting control	
D UNV 120-277V	S Advance Xitanium Sensor Ready (1% Dim)	1 Single Circuit V Single Circuit + 1 Thru Wire (BP Trigger)	N None	NN None RA Interact Pro RF sensor, enables wireless connected lighting control	
D UNV 120-277V	F Advance FlexTune Sensor Ready (1% Dim) 2 0-10V 2ch (1% Dim) 6 DALI-2 DT6 2ch (1% Dim) 8 DALI-2 DT8 2ch (1% Dim)	1 Single Circuit V Single Circuit + 1 Thru Wire (BP Trigger)	N None	NN None RA Interact Pro RF sensor, enables wireless connected lighting control	
Finish	Option	Mount Type			
W Standard White B Black T Titanium Silver C Custom	N None	WA			

SyncLine wall

Options and dimensions

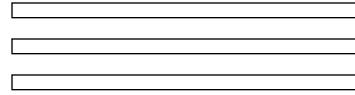
Standalone

Keep it simple with standalone modules, available in 3 standard lengths (consult Ledalite for custom lengths).



Continuous run

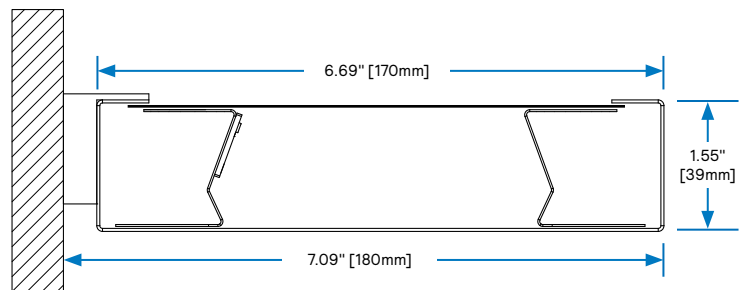
Create continuous runs in 2ft increments with 4, 6 & 8ft modules.



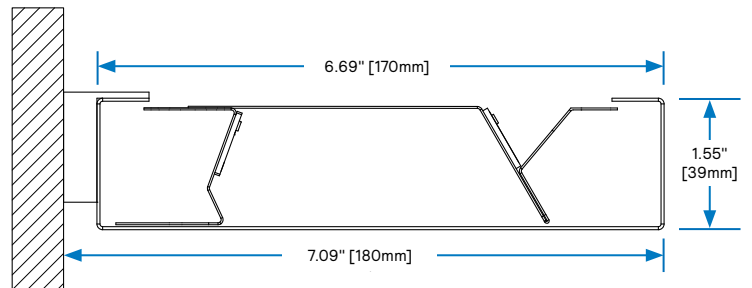
Optical configurations

SyncLine is available with one or two light engines for combined or independent Direct/Indirect control.

One light engine



Two light engines



Finish options



White (W)



Titanium Silver (T)



Black (B)



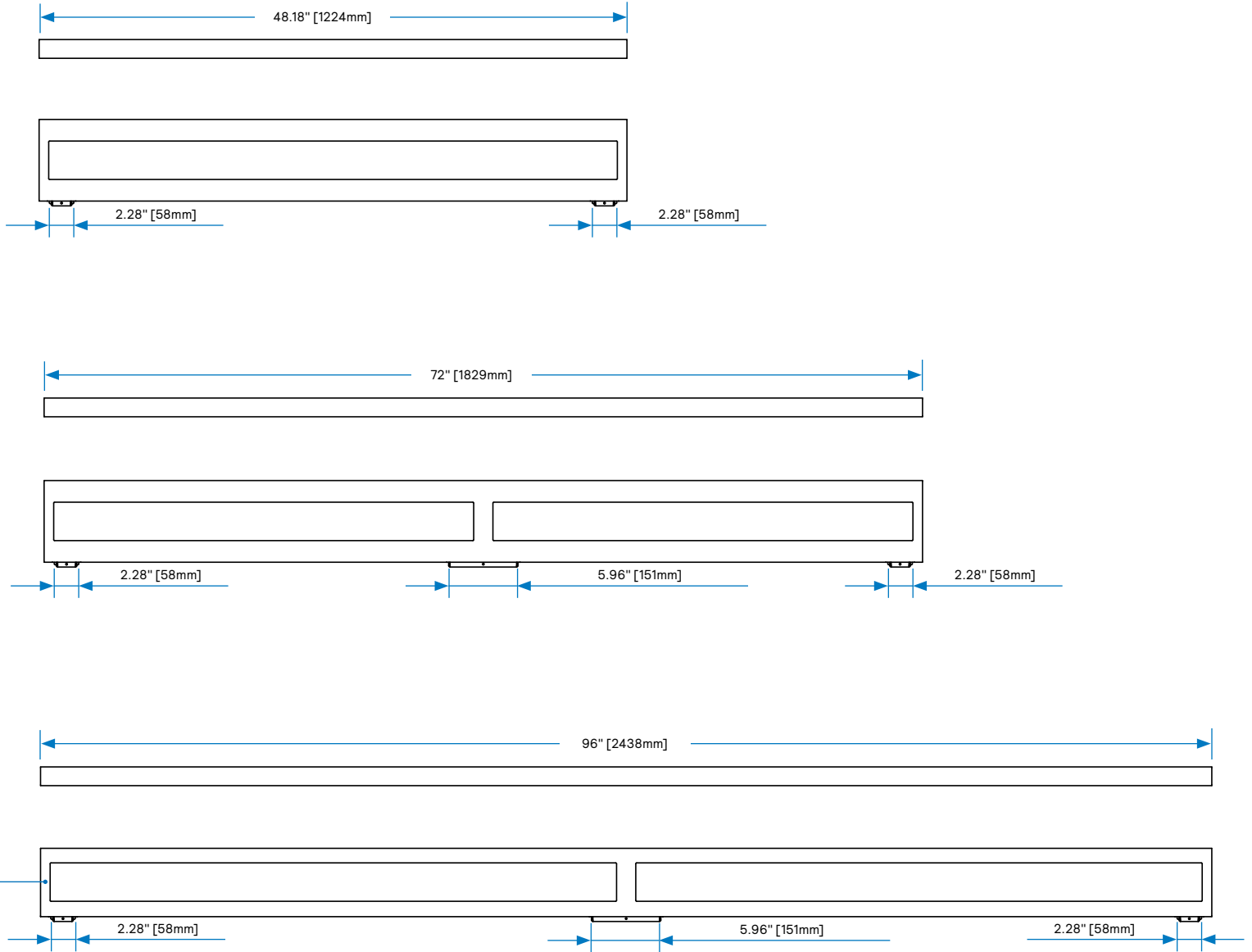
Custom (C)

SyncLine wall

Options and dimensions

Front & Bottom Views

Wall Mount Option



Note: Sensors are mounted at left end of wall mounted luminaires, in this case, the lens aperture is shorter.

Nominal	Housing Length	Lens Aperture	Endcap Thickness
4ft	48.18" [1224mm]	46.5" [1180mm]	0.04" [1mm]
6ft	72.0" [1829mm]	34.3" [872mm] each	0.04" [1mm]
8ft	96.0" [2438mm]	46.3" [1177mm] each	0.04" [1mm]

SyncLine wall

Specifications

Optical System

One Light Engine: Lateral-facing LED arrays deliver light into both the upper and lower hemispheres, giving a highly efficient wide, homogeneous upper asymmetric distribution and a lower tilted lambertian distribution.

Five distributions are available from fully Direct to fully Indirect with three Direct/Indirect ratios in between.

Two Light Engines: Lateral-facing LED arrays are designed into separate chambers and allow a multitude of direct/indirect lumen package combinations for the ultimate in distribution control.

An optional dust cover is available in both one and two light engine models.

Housing

Precision die-formed, 20 gauge cold-rolled steel housing.

Endcaps

Flat, die-formed, 20 gauge cold-rolled steel endcaps.

Finish

Housing and endcaps are coated with a high quality electrostatically applied, thermally cured polyester powder coat finish. Available in standard Matte White, Black or Titanium Silver. SyncLine can also be specified in any custom color upon request for a one-time setup charge. Optional sensors default color is white. Fixtures with black finish have black sensors (consult factory for other combinations).

Mounting

Wall: Tilt and leveling adjustment is provided via sturdy, discrete 14 gauge wall mount brackets that hold the luminaire <1/2" [10mm] off the wall at fixture ends and joints.

Brackets are independently tested to stringent safety standards.

Joints

Self-aligning joining system with hands-free pre-joining wire access.

Weight

Maximum 2.6 lbs/ft.

Electrical

Fixtures are factory pre-wired to section ends with quick-wire connectors and tested for all circuits and backup battery packs. LED boards, drivers, sensors and battery packs are easily field replaceable with access from below the ceiling.

Power cords are supplied in white, and not visible once installed.

Standard Drivers

Advance 0-10V, 10% Dimming.

Advance Xitanium 0-10V, 1% Dimming.

Advance Xitanium DALI-2, 5% Dimming.

Advance Xitanium Sensor Ready, 1% Dimming.

Lutron EcoSystem LDE1, 1% Dimming with Soft-On and Fade-to-Black.

2ch Tunable Drivers

Advance FlexTune Sensor Ready, 1% Dimming.

0-10V, 1% Dimming.

DALI-2 DT6 or DT8, 1% Dimming.

Class 2 rated output. Consult Ledalite for other available drivers.

Standard Battery Packs

Bodine Battery Pack, 90 min, 10W, Class 2 rated output.

Lumen output = 10W x luminaire efficacy x 1.1 Typical output ~1300lm.

Lumen Maintenance

LEDs have been tested by the manufacturer in accordance with IESNA

LM-80-15. At an ambient temperature of 25°C, the LED lumen maintenance expectation according to IES TM-21-11 is:

$L_{80}(10k) > 60,000$ hours (Reported methodology).

Source Color

LEDs rated for color rendering of:

$CRI R_a \geq 90, R_g \geq 50, G_a \geq 97, C_g \geq 90$

IES TM-30-18 : $R_f \geq 90, R_{f,hl} \geq 89, R_g \geq 99, R_{cs,hl} \geq -5\%$

SPD data available upon request

Fixture to fixture color accuracy within:

3 SDCM for Static White & Tunable White luminaires

Approvals

Certified to UL, IES & CSA Standards.

SyncLine is Declare label certified. More information on the SyncLine label can be found on <https://declare.living-future.org/> and through the Declare ID **SGY-0012**.

Select SyncLine configurations contribute toward satisfying features L02, L03, L04, L07, L08, and L09 under the WELL v2 Building Standard®.

Environment

Rated for dry or damp locations in operating ambient temperatures of 0-25°C (32-77°F).

Many luminaire components, such as reflectors, refractors, lenses, and LEDs are made from various types of plastics which can be adversely affected by airborne contaminants. If sulfur-based chemicals, petroleum-based products, cleaning solutions, or other contaminants are expected in the intended area of use, consult factory for compatibility. Damage caused by sulfur, chlorine, petroleum-based solution or other contaminants are not covered under warranty. Not suitable for natatorium environments.

Warranty

Five-year luminaire limited warranty including LED boards and driver:

www.signify.com/warranties

QuickShip

10-day QuickShip available for most configurations upon request. More information available at: www.signify.com/en-us/brands/ledalite/quickship

SyncLine wall

Wireless Controls Options

Radio only sensor (RA):

- Integral RADIO only sensor simply enables wireless mesh connectivity to the luminaire without any occupancy or daylight sensing.
- Ideal for applications where sensing functionality is managed by other Interact devices and the luminaire only needs to have wireless connectivity.
- Interact Pro includes an App, a portal and a broad portfolio of wireless luminaires, lamps and retrofit kits all working on the same system.
- Startup is implemented via Interact Pro App (Android or iPhone) & Bluetooth connectivity. The App provides flexibility to choose between a gateway or non-gateway mode for setup.
- Setup with the gateway requires wired internet access to the gateway. It is possible to add a gateway at a later point.
- Prepare project configuration steps remotely, identify and group devices together onsite.
- Compatible with UID8451/10 wireless dimmer switch, SWS200 wireless scene switch, wireless Occ sensor (OCC SENSOR IA CM IP42 WH 10/1) and wireless Day/Occ sensor (OCC MULTI SENSOR IA CM WH 10/1).
- For more information on Interact Pro visit:
www.interact-lighting.com/interactproscalablesystem

Emergency Options (R):

- Power Sensing (Factory default) – Recommended
- UL924 option requires unswitched power sense line, absence of voltage on the normal circuit triggers luminaire to 100% output.
- Power Interruption Detection (Field option)
- Detects AC power interruption >30ms triggers 90 minute emergency mode with luminaire at 100% output.

Wired Controls Options

Tunable White & BioUp:

- Tunable White & BioUp options are available with Interact Pro wireless or with 2ch 0-10V or DALI-2 (DT6 or DT8) wired drivers. Please enquire about options such as Lutron T Series or DMX control (extended lead times may apply).
- Signify tunable white solutions are designed to help maximize the influence of lighting on your daily life.
- Dynamic behaviors via scheduled lighting recipes mimicking daylight patterns or supporting biorhythms.
- Scene setting via lighting pre-sets based on various combinations of lighting color temperature and intensity.

Interact Pro scalable sensor option codes across Genlyte product lines

	Evokit	Day-Brite	Ledalite	Lightolier
Zigbee + Bluetooth + Sensing	SWZCS	SWZCS	CS	SBA accessory (external)
Zigbee + Bluetooth	RADIO	RADIO	RA	RA
Zigbee + Bluetooth + Sensing + Environmental data	IAOSB	IAOSB	SB	SB
Zigbee + Highbay + Sensing	-	SWZCSH	-	-

SyncLine wall

Functionalities overview

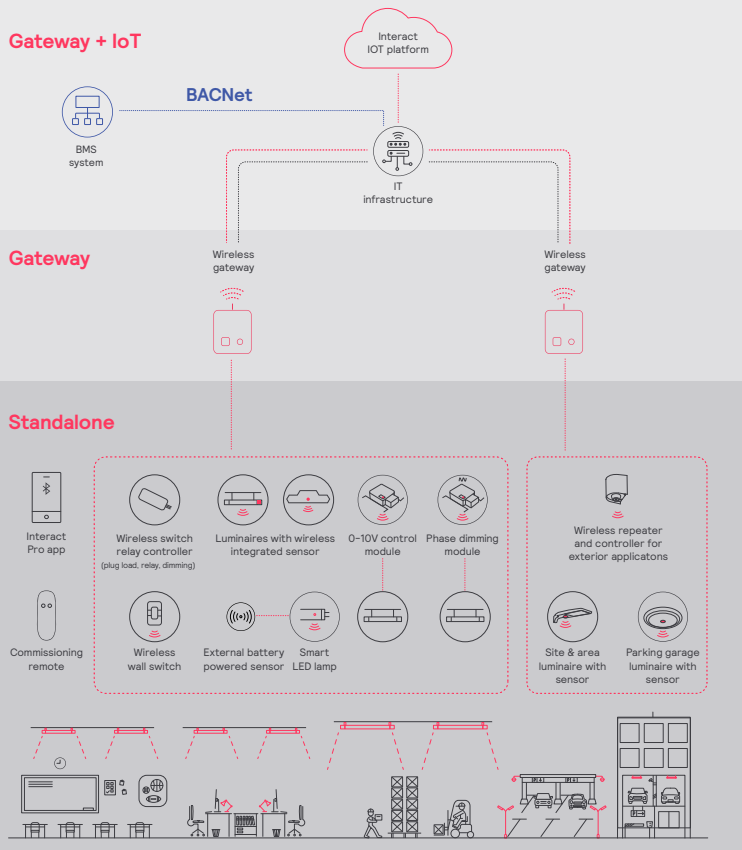
	The three tiers of Interact		
	Standalone	Gateway	Gateway + IoT
Dimming, grouping, and zoning	✓	✓	✓
Bluetooth and ZigBee enabled	✓	✓	✓
Motion sensing and daylight harvesting	✓	✓	✓
Integration with 0-10V and phase dimming fixtures	✓	✓	✓
Code compliance	✓	✓	✓
Granular dimming and dwell time	✓	✓	✓
New Correlated color temperature (CCT) tuning by switch	✓	✓	✓
New Support for sensor-based Tunable White luminaires	✓	✓	✓
Energy reporting and monitoring		✓	✓
Scheduling		✓	✓
Demand response		✓	✓
BMS integration (BACnet)			✓
Floor plan visualization			✓
IoT sensors for wellness			✓
IoT Apps for productivity			✓

Currently supported maximum system size

To be able to design the lighting system correctly for the customer, it is important to know the prime characteristics of the system, its possibilities and limitations.

System level	
Total number of gateways	Unlimited
Total number of devices	200 per network
• luminaires with integrated sensors	150
• smart TLEDs	150
Total number of ZGP devices (sensors and switches)	50
• sensors	30
• switches	50
• zones and groups	64
Group level	
Recommended number of lights	40 (recommended 25)
Number of ZGP devices	5
Number of scenes	16

Interact system architecture for office, education, healthcare, retail, industrial and parking applications



Colorimetry

SyncLine (SLxx) BioUp

Nominal CRI & CCT		CRI 90+, 2700K	CRI 90+, 3000K	CRI 80+, 3500K	CRI 80+, 4000K	CRI 80+, 5000K
CIE 013.3-1995 ¹	CRI R _a	94	91	88	86	82
	R _g	62	70	75	76	70
	G _a	100	98	97	95	92
	C _g	94	95	96	96	95
IES TM-30-18 ²	R _f	92	90	87	84	82
	R _{f,hl}	91	90	88	86	83
	R _g	101	98	96	94	92
	R _{cs,hl}	-5%	-5%	-5%	-5%	-6%
MDER ³		0.44	0.59	0.72	0.82	0.97

SyncLine (SLxx) AccuRender Tunable White

Nominal CRI & CCT		CRI 90+, 2700K	CRI 90+, 3000K	CRI 90+, 3500K	CRI 90+, 4000K	CRI 90+, 5000K	CRI 90+, 6500K
CIE 013.3-1995 ¹	CRI R _a	94	94	95	95	92	92
	R _g	54	63	72	76	75	62
	G _a	98	100	100	100	98	95
	C _g	92	94	95	96	95	92
IES TM-30-18 ²	R _f	92	92	91	91	90	87
	R _{f,hl}	90	91	91	91	89	85
	R _g	99	100	100	99	99	96
	R _{cs,hl}	-6%	-5%	-4%	-4%	-5%	-6%
MDER ³		0.45	0.53	0.63	0.71	0.83	0.97

SyncLine (SLxx) AccuRender Static White

Nominal CRI & CCT		CRI 90+, 2700K	CRI 90+, 3000K	CRI 90+, 3500K	CRI 90+, 4000K	CRI 90+, 5000K
CIE 013.3-1995 ¹	CRI R _a	94	93	93	93	93
	R _g	55	57	59	64	68
	G _a	99	99	99	99	99
	C _g	93	93	93	93	94
IES TM-30-18 ²	R _f	92	91	91	91	90
	R _{f,hl}	90	90	90	91	89
	R _g	100	100	99	100	100
	R _{cs,hl}	-6%	-5%	-6%	-5%	-5%
MDER ³		0.45	0.51	0.58	0.65	0.81

1. Color Rendering Index (CRI Ra) and Strong Red (R9) are calculated in accordance with CIE 013.3-1995. Color Gamut index (Ga) and red chroma Index (C9) are CIE based properties using the Global Lighting Association's calculation tool.

2. Fidelity Index (Rf), Red Fidelity Index (Rf,hl), Gamut Index (Rg), and Red Local Chroma Shift (Rcs,hl) are calculated in accordance with IES TM-30-18.

3. Melanopic Daylight Efficacy Ratio (MDER) is the measure for "spectral melanopic efficiency" as defined in CIE S 026-2018.

SyncLine wall

Photometry

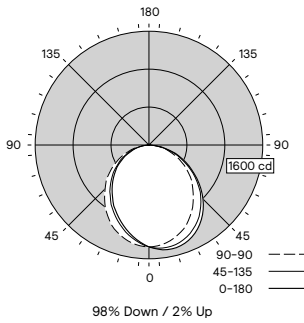
Direct (SL21) One Light Engine - AJ (100% Down)

Click "PDF" or "IES" text to download

	Nominal CRI & CCT			CRI 90+, 2700K					CRI 90+, 3000K					CRI 90+ ⁴ , 3500K					CRI 90+ ⁴ , 4000K					CRI 90+ ⁴ , 5000K					CRI 90+, 6500K				
	Nominal Lumen Package (lm/4ft)		Watts (W) ³	Flux (lm/4ft) ¹	Efficacy (LPW) ¹	UGR ²	Photometry Report	IES File	Flux (lm/4ft) ¹	Efficacy (LPW) ¹	UGR ²	Photometry Report	IES File	Flux (lm/4ft) ¹	Efficacy (LPW) ¹	UGR ²	Photometry Report	IES File	Flux (lm/4ft) ¹	Efficacy (LPW) ¹	UGR ²	Photometry Report	IES File	Flux (lm/4ft) ¹	Efficacy (LPW) ¹	UGR ²	Photometry Report	IES File	Flux (lm/4ft) ¹	Efficacy (LPW) ¹	UGR ²	Photometry Report	IES File
BioUp	3000	100% DN	35.8	2,998	87.7	25.6	PDF	IES	2,998	85.6	25.6	PDF	IES	2,998	83.8	25.6	PDF	IES	2,998	82.4	25.6	PDF	IES	2,998	80.5	25.6	PDF	IES	-	-	-	-	-
	2000	100% DN	22.2	2,002	93.6	24.2	PDF	IES	2,002	91.8	24.2	PDF	IES	2,002	90.2	24.2	PDF	IES	2,002	89.0	24.2	PDF	IES	2,002	87.2	24.2	PDF	IES	-	-	-	-	-
Tunable White	3000	100% DN	32.4	3,000	89.3	25.6	PDF	IES	3,000	91.0	25.6	PDF	IES	3,000	92.6	25.6	PDF	IES	3,000	93.8	25.6	PDF	IES	3,000	95.7	25.6	PDF	IES	3,000	97.7	25.6	PDF	IES
	2000	100% DN	20.9	2,001	93.1	24.2	PDF	IES	2,001	94.5	24.2	PDF	IES	2,001	95.9	24.2	PDF	IES	2,001	97.1	24.2	PDF	IES	2,001	98.8	24.2	PDF	IES	2,001	100.7	24.2	PDF	IES
Static White	4000	100% DN	42.8	3,679	86.0	26.3	PDF	IES	3,822	89.3	26.5	PDF	IES	3,992	93.3	26.6	PDF	IES	4,003	93.5	26.6	PDF	IES	4,191	97.9	26.8	PDF	IES	-	-	-	-	-
	3000	100% DN	31.5	2,771	88.0	25.3	PDF	IES	2,879	91.4	25.5	PDF	IES	3,000	95.2	25.6	PDF	IES	3,014	95.7	25.6	PDF	IES	3,147	99.9	25.8	PDF	IES	-	-	-	-	-
	2000	100% DN	20.8	1,851	89.0	23.9	PDF	IES	1,921	92.4	24.1	PDF	IES	2,002	96.3	24.2	PDF	IES	2,008	96.5	24.2	PDF	IES	2,097	100.8	24.4	PDF	IES	-	-	-	-	-

- 4ft Luminaire photometry has been conducted in accordance with IES LM-79-08. IES files can be downloaded by clicking the links in the table above, or online at ledalite.com. Luminaires with finishes other than standard white may result in a drop in flux and efficacy.
- Unified Glare Ratio (UGR) is calculated in accordance with CIE 117-1995. Reference conditions of 4Hx8Hx1H and reflectances of 70/50/20% have been applied using the procedure described in CIE 190-2010.
- Input power stated at 3500K. BioUp & Tunable White, stated with Advance FlexTune SR driver & Interact Pro scalable wireless sensor, data may vary with other drivers.
- BioUp delivers CRI 90+, 2700K-3000K, and CRI 80+, >3000K-5000K.

One Light Engine - AJ (100% Down) Spacing Criteria: 1.38/1.20



Candela plots shown are for 4000lm/4ft, CRI 90, 3500K configurations.

SyncLine wall

Photometry

Indirect (SL23) One Light Engine - NA (100% Up)

Click "PDF" or "IES" text to download

	Nominal CRI & CCT			CRI 90+, 2700K					CRI 90+, 3000K					CRI 90+, 3500K					CRI 90+, 4000K					CRI 90+, 5000K					CRI 90+, 6500K				
	Nominal Lumen Package (lm/4ft)	Watts (W) ³		Flux (lm/4ft) ¹	Efficacy (LPW) ¹	UGR ²	Photometry Report	IES File	Flux (lm/4ft) ¹	Efficacy (LPW) ¹	UGR ²	Photometry Report	IES File	Flux (lm/4ft) ¹	Efficacy (LPW) ¹	UGR ²	Photometry Report	IES File	Flux (lm/4ft) ¹	Efficacy (LPW) ¹	UGR ²	Photometry Report	IES File	Flux (lm/4ft) ¹	Efficacy (LPW) ¹	UGR ²	Photometry Report	IES File	Flux (lm/4ft) ¹	Efficacy (LPW) ¹	UGR ²	Photometry Report	IES File
BioUp	4000 100% UP	36.5		3,997	114.9	N/A	PDF	IES	3,997	111.9	N/A	PDF	IES	3,997	109.4	N/A	PDF	IES	3,997	107.5	N/A	PDF	IES	3,997	104.9	N/A	PDF	IES	-	-	-	-	-
	3000 100% UP	25.8		3,002	121.0	N/A	PDF	IES	3,002	118.5	N/A	PDF	IES	3,002	116.3	N/A	PDF	IES	3,002	114.6	N/A	PDF	IES	3,002	112.2	N/A	PDF	IES	-	-	-	-	-
Tunable White	4000 100% UP	33.2		4,000	117.0	N/A	PDF	IES	4,000	118.3	N/A	PDF	IES	4,000	120.3	N/A	PDF	IES	4,000	122.0	N/A	PDF	IES	4,000	124.8	N/A	PDF	IES	4,000	127.9	N/A	PDF	IES
	3000 100% UP	24.2		3,001	120.5	N/A	PDF	IES	3,001	122.1	N/A	PDF	IES	3,001	124.0	N/A	PDF	IES	3,001	125.7	N/A	PDF	IES	3,001	128.3	N/A	PDF	IES	3,001	131.4	N/A	PDF	IES
Static White	7000 100% UP	59.5		6,441	108.3	N/A	PDF	IES	6,680	112.3	N/A	PDF	IES	6,997	117.6	N/A	PDF	IES	7,025	118.1	N/A	PDF	IES	7,349	123.5	N/A	PDF	IES	-	-	-	-	-
	6000 100% UP	49.6		5,524	111.4	N/A	PDF	IES	5,736	115.6	N/A	PDF	IES	6,000	121.0	N/A	PDF	IES	6,013	121.2	N/A	PDF	IES	6,301	127.0	N/A	PDF	IES	-	-	-	-	-
	5000 100% UP	40.5		4,600	113.6	N/A	PDF	IES	4,779	118.0	N/A	PDF	IES	4,989	123.2	N/A	PDF	IES	5,005	123.6	N/A	PDF	IES	5,237	129.3	N/A	PDF	IES	-	-	-	-	-
	4000 100% UP	32.1		3,698	115.2	N/A	PDF	IES	3,842	119.7	N/A	PDF	IES	4,005	124.8	N/A	PDF	IES	4,022	125.3	N/A	PDF	IES	4,201	130.9	N/A	PDF	IES	-	-	-	-	-
	3000 100% UP	24.3		2,784	114.6	N/A	PDF	IES	2,891	119.0	N/A	PDF	IES	3,012	124.0	N/A	PDF	IES	3,023	124.4	N/A	PDF	IES	3,156	129.9	N/A	PDF	IES	-	-	-	-	-
	2000 100% UP	16.2		1,838	113.5	N/A	PDF	IES	1,907	117.7	N/A	PDF	IES	1,990	122.8	N/A	PDF	IES	1,990	122.8	N/A	PDF	IES	2,083	128.6	N/A	PDF	IES	-	-	-	-	-

Indirect (SL23) One Light Engine - NB (100% Up)

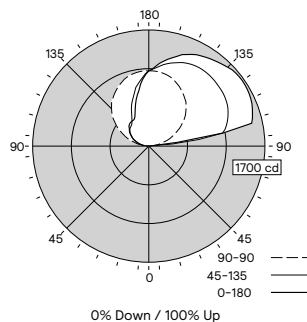
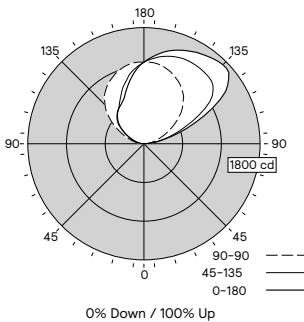
Click "PDF" or "IES" text to download

	Nominal CRI & CCT			CRI 90+, 2700K					CRI 90+, 3000K					CRI 90+, 3500K					CRI 90+, 4000K					CRI 90+, 5000K				
	Nominal Lumen Package (lm/4ft)	Watts (W) ³		Flux (lm/4ft) ¹	Efficacy (LPW) ¹	UGR ²	Photometry Report	IES File	Flux (lm/4ft) ¹	Efficacy (LPW) ¹	UGR ²	Photometry Report	IES File	Flux (lm/4ft) ¹	Efficacy (LPW) ¹	UGR ²	Photometry Report	IES File	Flux (lm/4ft) ¹	Efficacy (LPW) ¹	UGR ²	Photometry Report	IES File	Flux (lm/4ft) ¹	Efficacy (LPW) ¹	UGR ²	Photometry Report	IES File
Static White	7000 100% UP	59.5		6,964	117.0	N/A	PDF	IES	7,222	121.4	N/A	PDF	IES	7,565	127.1	N/A	PDF	IES	7,595	127.6	N/A	PDF	IES	7,945	133.5	N/A	PDF	IES
	6000 100% UP	49.6		5,972	120.4	N/A	PDF	IES	6,201	125.0	N/A	PDF	IES	6,487	130.8	N/A	PDF	IES	6,501	131.1	N/A	PDF	IES	6,812	137.3	N/A	PDF	IES
	5000 100% UP	40.5		4,973	122.8	N/A	PDF	IES	5,167	127.6	N/A	PDF	IES	5,394	133.2	N/A	PDF	IES	5,411	133.6	N/A	PDF	IES	5,662	139.8	N/A	PDF	IES
	4000 100% UP	32.1		3,998	124.5	N/A	PDF	IES	4,153	129.4	N/A	PDF	IES	4,329	134.9	N/A	PDF	IES	4,349	135.5	N/A	PDF	IES	4,542	141.5	N/A	PDF	IES
	3000 100% UP	24.3		3,010	123.9	N/A	PDF	IES	3,125	128.6	N/A	PDF	IES	3,256	134.0	N/A	PDF	IES	3,269	134.5	N/A	PDF	IES	3,412	140.4	N/A	PDF	IES
	2000 100% UP	16.2		1,988	122.7	N/A	PDF	IES	2,062	127.3	N/A	PDF	IES	2,151	132.8	N/A	PDF	IES	2,152	132.8	N/A	PDF	IES	2,252	139.0	N/A	PDF	IES

- 4ft Luminaire photometry has been conducted in accordance with IES LM-79-08. IES files can be downloaded by clicking the links in the table above, or online at ledalite.com. Luminaires with finishes other than standard white may result in a drop in flux and efficacy.
- Unified Glare Ratio (UGR) is calculated in accordance with CIE 117-1995. Reference conditions of 4Hx8Hx1H and reflectances of 70/50/20% have been applied using the procedure described in CIE 190-2010.
- Input power stated at 3500K. BioUp & Tunable White, stated with Advance FlexTune SR driver & Interact Pro scalable wireless sensor, data may vary with other drivers.
- BioUp delivers CRI 90+, 2700K-3000K, and CRI 80+, >3000K-5000K.

One Light Engine - NA (100% Up)

One Light Engine - NB (100% Up)



Candela plots shown are for 4000lm/4ft, CRI 90, 3500K configurations.

SyncLine wall

Photometry

Direct/Indirect (SL26) One Light Engine - AA (30% Down/70% Up)

Click "PDF" or "IES" text to download

Nominal CRI & CCT		CRI 90+, 2700K					CRI 90+, 3000K					CRI 90+ ⁴ , 3500K					CRI 90+ ⁴ , 4000K					CRI 90+ ⁴ , 5000K					CRI 90+, 6500K					
Nominal Lumen Package (lm/4ft)		Watts (W) ³	Flux (lm/4ft) ¹	Efficacy (LPW) ¹	UGR ²	Photometry Report	IES File	Flux (lm/4ft) ¹	Efficacy (LPW) ¹	UGR ²	Photometry Report	IES File	Flux (lm/4ft) ¹	Efficacy (LPW) ¹	UGR ²	Photometry Report	IES File	Flux (lm/4ft) ¹	Efficacy (LPW) ¹	UGR ²	Photometry Report	IES File	Flux (lm/4ft) ¹	Efficacy (LPW) ¹	UGR ²	Photometry Report	IES File	Flux (lm/4ft) ¹	Efficacy (LPW) ¹	UGR ²	Photometry Report	IES File
BioUp	4000 30% DN/70% UP	35.4	3,997	118.3	17.0	PDF	IES	3,997	115.3	17.0	PDF	IES	3,997	112.8	17.0	PDF	IES	3,997	111.0	17.0	PDF	IES	3,997	108.3	17.0	PDF	IES	-	-	-	-	-
	3000 30% DN/70% UP	25.1	3,003	124.6	16.0	PDF	IES	3,003	121.8	16.0	PDF	IES	3,003	119.5	16.0	PDF	IES	3,003	117.8	16.0	PDF	IES	3,003	115.4	16.0	PDF	IES	-	-	-	-	-
Tunable White	4000 30% DN/70% UP	32.4	4,000	120.1	17.0	PDF	IES	4,000	121.5	17.0	PDF	IES	4,000	123.6	17.0	PDF	IES	4,000	125.4	17.0	PDF	IES	4,000	128.3	17.0	PDF	IES	4,000	131.5	17.0	PDF	IES
	3000 30% DN/70% UP	23.6	3,001	124.0	16.0	PDF	IES	3,001	125.4	16.0	PDF	IES	3,001	127.3	16.0	PDF	IES	3,001	128.9	16.0	PDF	IES	3,001	131.6	16.0	PDF	IES	3,001	134.6	16.0	PDF	IES
Static White	7000 30% DN/70% UP	57.8	6,444	111.5	18.7	PDF	IES	6,685	115.7	18.8	PDF	IES	7,002	121.1	19.0	PDF	IES	7,025	121.5	19.0	PDF	IES	7,353	127.2	19.1	PDF	IES	-	-	-	-	-
	6000 30% DN/70% UP	48.2	5,516	114.4	18.1	PDF	IES	5,729	118.9	18.3	PDF	IES	5,991	124.3	18.4	PDF	IES	6,005	124.6	18.4	PDF	IES	6,292	130.5	18.6	PDF	IES	-	-	-	-	-
	5000 30% DN/70% UP	39.5	4,606	116.6	17.5	PDF	IES	4,785	121.1	17.6	PDF	IES	4,995	126.5	17.8	PDF	IES	5,012	126.9	17.8	PDF	IES	5,243	132.7	18.0	PDF	IES	-	-	-	-	-
	4000 30% DN/70% UP	31.3	3,700	118.2	16.7	PDF	IES	3,844	122.8	16.9	PDF	IES	4,006	128.0	17.0	PDF	IES	4,024	128.6	17.0	PDF	IES	4,202	134.2	17.2	PDF	IES	-	-	-	-	-
	3000 30% DN/70% UP	23.8	2,783	116.9	15.8	PDF	IES	2,890	121.4	15.9	PDF	IES	3,011	126.5	16.0	PDF	IES	3,022	127.0	16.0	PDF	IES	3,155	132.6	16.2	PDF	IES	-	-	-	-	-
	2000 30% DN/70% UP	15.8	1,836	116.2	14.3	PDF	IES	1,905	120.6	14.4	PDF	IES	1,987	125.8	14.6	PDF	IES	1,987	125.8	14.6	PDF	IES	2,080	131.6	14.7	PDF	IES	-	-	-	-	-

Direct/Indirect (SL26) One Light Engine - AB (20% Down/80% Up)

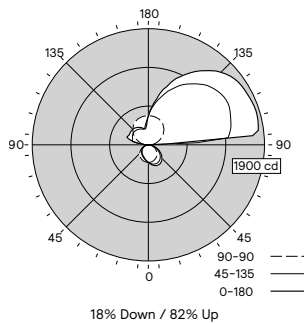
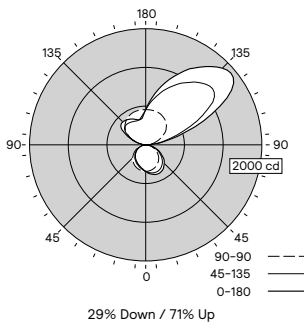
Click "PDF" or "IES" text to download

Nominal CRI & CCT		CRI 90+, 2700K					CRI 90+, 3000K					CRI 90+, 3500K					CRI 90+, 4000K					CRI 90+, 5000K										
Nominal Lumen Package (lm/4ft)		Watts (W) ³	Flux (lm/4ft) ¹	Efficacy (LPW) ¹	UGR ²	Photometry Report	IES File	Flux (lm/4ft) ¹	Efficacy (LPW) ¹	UGR ²	Photometry Report	IES File	Flux (lm/4ft) ¹	Efficacy (LPW) ¹	UGR ²	Photometry Report	IES File	Flux (lm/4ft) ¹	Efficacy (LPW) ¹	UGR ²	Photometry Report	IES File	Flux (lm/4ft) ¹	Efficacy (LPW) ¹	UGR ²	Photometry Report	IES File	Flux (lm/4ft) ¹	Efficacy (LPW) ¹	UGR ²	Photometry Report	IES File
Static White	7000 20% DN/80% UP	57.8	6,630	114.7	15.8	PDF	IES	6,878	119.0	15.9	PDF	IES	7,203	124.6	16.1	PDF	IES	7,227	125.0	16.1	PDF	IES	7,565	130.9	16.2	PDF	IES					
	6000 20% DN/80% UP	48.2	5,675	117.7	15.2	PDF	IES	5,894	122.3	15.4	PDF	IES	6,164	127.9	15.5	PDF	IES	6,178	128.2	15.5	PDF	IES	6,473	134.3	15.7	PDF	IES					
	5000 20% DN/80% UP	39.5	4,739	120.0	14.6	PDF	IES	4,923	124.6	14.7	PDF	IES	5,138	130.1	14.9	PDF	IES	5,156	130.5	14.9	PDF	IES	5,394	136.6	15.1	PDF	IES					
	4000 20% DN/80% UP	31.3	3,807	121.6	13.9	PDF	IES	3,954	126.3	14.0	PDF	IES	4,121	131.7	14.1	PDF	IES	4,140	132.3	14.1	PDF	IES	4,323	138.1	14.3	PDF	IES					
	3000 20% DN/80% UP	23.8	2,863	120.3	12.9	PDF	IES	2,973	124.9	13.0	PDF	IES	3,098	130.2	13.1	PDF	IES	3,109	130.6	13.1	PDF	IES	3,246	136.4	13.3	PDF	IES					
	2000 20% DN/80% UP	15.8	1,889	119.6	11.4	PDF	IES	1,960	124.1	11.5	PDF	IES	2,044	129.4	11.7	PDF	IES	2,045	129.4	11.7	PDF	IES	2,140	135.4	11.8	PDF	IES					

1. 4ft Luminaire photometry has been conducted in accordance with IES LM-79-08. IES files can be downloaded by clicking the links in the table above, or online at ledalite.com. Luminaires with finishes other than standard white may result in a drop in flux and efficacy.
2. Unified Glare Ratio (UGR) is calculated in accordance with CIE 117-1995. Reference conditions of 4Hx8Hx1H and reflectances of 70/50/20% have been applied using the procedure described in CIE 190-2010.
3. Input power stated at 3500K. BioUp & Tunable White, stated with Advance FlexTune SR driver & Interact Pro scalable wireless sensor, data may vary with other drivers.
4. BioUp delivers CRI 90+, 2700K-3000K, and CRI 80+, >3000K-5000K.

One Light Engine - AA (30% Down/70% Up) Spacing Criteria: 1.63/1.28

One Light Engine - AB (20% Down/80% Up) Spacing Criteria: 1.74/1.28



Candela plots shown are for 5000lm/4ft, CRI 90, 3500K configurations.

SyncLine wall

Photometry

Direct/Indirect (SL26) One Light Engine - AD (50% Down/50% Up)

Click "PDF" or "IES" text to download

Nominal CRI & CCT		CRI 90+, 2700K					CRI 90+, 3000K					CRI 90+ ⁴ , 3500K					CRI 90+ ⁴ , 4000K					CRI 90+ ⁴ , 5000K					CRI 90+, 6500K					
Nominal Lumen Package (lm/4ft)		Watts (W) ³	Flux (lm/4ft) ¹	Efficacy (LPW) ¹	UGR ²	Photometry Report	IES File	Flux (lm/4ft) ¹	Efficacy (LPW) ¹	UGR ²	Photometry Report	IES File	Flux (lm/4ft) ¹	Efficacy (LPW) ¹	UGR ²	Photometry Report	IES File	Flux (lm/4ft) ¹	Efficacy (LPW) ¹	UGR ²	Photometry Report	IES File	Flux (lm/4ft) ¹	Efficacy (LPW) ¹	UGR ²	Photometry Report	IES File	Flux (lm/4ft) ¹	Efficacy (LPW) ¹	UGR ²	Photometry Report	IES File
BioUp	4000 50% DN/50% UP	36.0	3,997	116.5	20.7	PDF	IES	3,997	113.6	20.7	PDF	IES	3,997	111.1	20.7	PDF	IES	3,997	109.3	20.7	PDF	IES	3,997	106.6	20.7	PDF	IES	-	-	-	-	-
	3000 50% DN/50% UP	25.5	3,003	123.1	19.7	PDF	IES	3,003	120.2	19.7	PDF	IES	3,003	117.9	19.7	PDF	IES	3,003	116.2	19.7	PDF	IES	3,003	113.8	19.7	PDF	IES	-	-	-	-	-
Tunable White	4000 50% DN/50% UP	32.8	4,000	118.3	20.7	PDF	IES	4,000	119.9	20.7	PDF	IES	4,000	122.0	20.7	PDF	IES	4,000	123.7	20.7	PDF	IES	4,000	126.6	20.7	PDF	IES	4,000	129.8	20.7	PDF	IES
	3000 50% DN/50% UP	23.9	3,000	122.4	19.7	PDF	IES	3,000	123.7	19.7	PDF	IES	3,000	125.7	19.7	PDF	IES	3,000	127.3	19.7	PDF	IES	3,000	129.9	19.7	PDF	IES	3,000	132.9	19.7	PDF	IES
Static White	7000 50% DN/50% UP	58.6	6,444	110.0	22.4	PDF	IES	6,684	114.1	22.5	PDF	IES	7,001	119.5	22.7	PDF	IES	7,026	119.9	22.7	PDF	IES	7,352	125.5	22.8	PDF	IES	-	-	-	-	-
	6000 50% DN/50% UP	49.0	5,531	112.9	21.8	PDF	IES	5,744	117.2	22.0	PDF	IES	6,008	122.6	22.1	PDF	IES	6,021	122.9	22.1	PDF	IES	6,309	128.8	22.3	PDF	IES	-	-	-	-	-
	5000 50% DN/50% UP	40.1	4,614	115.1	21.2	PDF	IES	4,794	119.6	21.3	PDF	IES	5,004	124.8	21.5	PDF	IES	5,021	125.2	21.5	PDF	IES	5,253	131.0	21.7	PDF	IES	-	-	-	-	-
	4000 50% DN/50% UP	31.7	3,700	116.7	20.4	PDF	IES	3,843	121.2	20.6	PDF	IES	4,006	126.4	20.7	PDF	IES	4,024	126.9	20.7	PDF	IES	4,202	132.6	20.9	PDF	IES	-	-	-	-	-
	3000 50% DN/50% UP	24.0	2,773	115.5	19.4	PDF	IES	2,879	120.0	19.6	PDF	IES	3,000	125.0	19.7	PDF	IES	3,011	125.5	19.7	PDF	IES	3,143	131.0	19.9	PDF	IES	-	-	-	-	-
	2000 50% DN/50% UP	16.0	1,838	114.9	18.0	PDF	IES	1,906	119.1	18.1	PDF	IES	1,989	124.3	18.3	PDF	IES	1,989	124.3	18.3	PDF	IES	2,082	130.1	18.4	PDF	IES	-	-	-	-	-

Direct/Indirect (SL26) One Light Engine - AE (40% Down/60% Up)

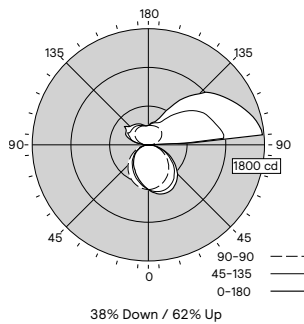
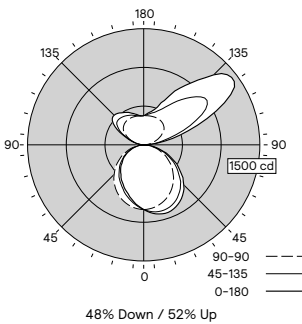
Click "PDF" or "IES" text to download

Nominal CRI & CCT		CRI 90+, 2700K					CRI 90+, 3000K					CRI 90+, 3500K					CRI 90+, 4000K					CRI 90+, 5000K										
Nominal Lumen Package (lm/4ft)		Watts (W) ³	Flux (lm/4ft) ¹	Efficacy (LPW) ¹	UGR ²	Photometry Report	IES File	Flux (lm/4ft) ¹	Efficacy (LPW) ¹	UGR ²	Photometry Report	IES File	Flux (lm/4ft) ¹	Efficacy (LPW) ¹	UGR ²	Photometry Report	IES File	Flux (lm/4ft) ¹	Efficacy (LPW) ¹	UGR ²	Photometry Report	IES File	Flux (lm/4ft) ¹	Efficacy (LPW) ¹	UGR ²	Photometry Report	IES File	Flux (lm/4ft) ¹	Efficacy (LPW) ¹	UGR ²	Photometry Report	IES File
Static White	7000 40% DN/60% UP	58.6	6,746	115.1	20.9	PDF	IES	6,997	119.4	21.1	PDF	IES	7,329	125.1	21.2	PDF	IES	7,356	125.5	21.2	PDF	IES	7,697	131.3	21.4	PDF	IES					
	6000 40% DN/60% UP	49.0	5,791	118.2	20.4	PDF	IES	6,014	122.7	20.5	PDF	IES	6,290	128.4	20.7	PDF	IES	6,303	128.6	20.7	PDF	IES	6,605	134.8	20.9	PDF	IES					
	5000 40% DN/60% UP	40.1	4,831	120.5	19.8	PDF	IES	5,019	125.2	19.9	PDF	IES	5,239	130.6	20.1	PDF	IES	5,256	131.1	20.1	PDF	IES	5,499	137.1	20.2	PDF	IES					
	4000 40% DN/60% UP	31.7	3,873	122.2	19.0	PDF	IES	4,024	126.9	19.1	PDF	IES	4,194	132.3	19.3	PDF	IES	4,212	132.9	19.3	PDF	IES	4,399	138.8	19.5	PDF	IES					
	3000 40% DN/60% UP	24.0	2,903	121.0	18.0	PDF	IES	3,014	125.6	18.1	PDF	IES	3,140	130.8	18.3	PDF	IES	3,152	131.3	18.3	PDF	IES	3,291	137.1	18.4	PDF	IES					
	2000 40% DN/60% UP	16.0	1,924	120.3	16.6	PDF	IES	1,996	124.8	16.7	PDF	IES	2,082	130.1	16.9	PDF	IES	2,082	130.1	16.9	PDF	IES	2,179	136.2	17.0	PDF	IES					

1. 4ft Luminaire photometry has been conducted in accordance with IES LM-79-08. IES files can be downloaded by clicking the links in the table above, or online at ledalite.com. Luminaires with finishes other than standard white may result in a drop in flux and efficacy.
2. Unified Glare Ratio (UGR) is calculated in accordance with CIE 117-1995. Reference conditions of 4Hx8Hx1H and reflectances of 70/50/20% have been applied using the procedure described in CIE 190-2010.
3. Input power stated at 3500K. BioUp & Tunable White, stated with Advance FlexTune SR driver & Interact Pro scalable wireless sensor, data may vary with other drivers.
4. BioUp delivers CRI 90+, 2700K-3000K, and CRI 80+, >3000K-5000K.

One Light Engine - AD (50% Down/%50 Up) Spacing Criteria: 1.52/1.24

One Light Engine - AE (40% Down/%60 Up) Spacing Criteria: 1.57/1.23



Candela plots shown are for 5000lm/4ft, CRI 90, 3500K configurations.

SyncLine wall

Photometry

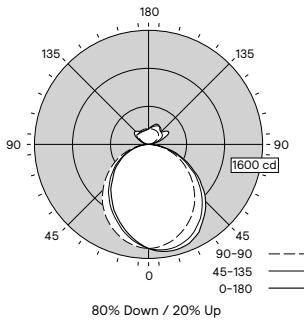
Direct/Indirect (SL26) One Light Engine – AG (80% Down/20% Up)

Click "PDF" or "IES" text to download

Nominal CRI & CCT		CRI 90+, 2700K					CRI 90+, 3000K					CRI 90+ ⁴ , 3500K					CRI 90+ ⁴ , 4000K					CRI 90+ ⁴ , 5000K					CRI 90+, 6500K					
Nominal Lumen Package (lm/4ft)		Watts (W) ³	Flux (lm/4ft) ¹	Efficacy (L/PW) ¹	UGR ²	Photometry Report	IES File	Flux (lm/4ft) ¹	Efficacy (L/PW) ¹	UGR ²	Photometry Report	IES File	Flux (lm/4ft) ¹	Efficacy (L/PW) ¹	UGR ²	Photometry Report	IES File	Flux (lm/4ft) ¹	Efficacy (L/PW) ¹	UGR ²	Photometry Report	IES File	Flux (lm/4ft) ¹	Efficacy (L/PW) ¹	UGR ²	Photometry Report	IES File	Flux (lm/4ft) ¹	Efficacy (L/PW) ¹	UGR ²	Photometry Report	IES File
BioUp	3000 80% DN/20% UP	29.4	3,001	106.8	23.7	PDF	IES	3,001	104.3	23.7	PDF	IES	3,001	102.2	23.7	PDF	IES	3,001	100.7	23.7	PDF	IES	3,001	98.4	23.7	PDF	IES	-	-	-	-	-
	2000 80% DN/20% UP	18.7	2,004	111.3	22.3	PDF	IES	2,004	109.2	22.3	PDF	IES	2,004	107.4	22.3	PDF	IES	2,004	106.0	22.3	PDF	IES	2,004	104.1	22.3	PDF	IES	-	-	-	-	-
Tunable White	4000 80% DN/20% UP	37.7	3,999	102.8	24.7	PDF	IES	3,999	104.1	24.7	PDF	IES	3,999	105.9	24.7	PDF	IES	3,999	107.5	24.7	PDF	IES	3,999	110.1	24.7	PDF	IES	3,999	113.0	24.7	PDF	IES
	3000 80% DN/20% UP	27.3	3,001	107.2	23.7	PDF	IES	3,001	108.3	23.7	PDF	IES	3,001	110.1	23.7	PDF	IES	3,001	111.6	23.7	PDF	IES	3,001	114.0	23.7	PDF	IES	3,001	116.8	23.7	PDF	IES
Static White	5000 80% DN/20% UP	45.6	4,611	101.1	25.2	PDF	IES	4,790	105.0	25.3	PDF	IES	5,006	109.8	25.5	PDF	IES	5,018	110.0	25.5	PDF	IES	5,257	115.3	25.7	PDF	IES	-	-	-	-	-
	4000 80% DN/20% UP	35.9	3,693	102.9	24.4	PDF	IES	3,836	106.9	24.6	PDF	IES	4,001	111.4	24.7	PDF	IES	4,017	111.9	24.7	PDF	IES	4,199	117.0	24.9	PDF	IES	-	-	-	-	-
	3000 80% DN/20% UP	26.9	2,770	103.0	23.4	PDF	IES	2,877	107.0	23.6	PDF	IES	2,997	111.4	23.7	PDF	IES	3,010	111.9	23.7	PDF	IES	3,142	116.8	23.9	PDF	IES	-	-	-	-	-
	2000 80% DN/20% UP	17.9	1,851	103.4	22.0	PDF	IES	1,921	107.3	22.2	PDF	IES	2,003	111.9	22.3	PDF	IES	2,006	112.1	22.3	PDF	IES	2,097	117.2	22.5	PDF	IES	-	-	-	-	-

1. 4ft Luminaire photometry has been conducted in accordance with IES LM-79-08. IES files can be downloaded by clicking the links in the table above, or online at ledalite.com. Luminaires with finishes other than standard white may result in a drop in flux and efficacy.
2. Unified Glare Ratio (UGR) is calculated in accordance with CIE 117-1995. Reference conditions of 4Hx8Hx1H and reflectances of 70/50/20% have been applied using the procedure described in CIE 190-2010.
3. Input power stated at 3500K. BioUp & Tunable White, stated with Advance FlexTune SR driver & Interact Pro scalable wireless sensor, data may vary with other drivers.
4. BioUp delivers CRI 90+, 2700K-3000K, and CRI 80+, >3000K-5000K

One Light Engine – AG (80% Down/%20 Up) Spacing Criteria: 1.39/1.21



Candela plots shown are for 5000lm/4ft, CRI 90, 3500K configurations.

SyncLine wall

Photometry

Direct/Indirect (SL36) Two Light Engines - AN

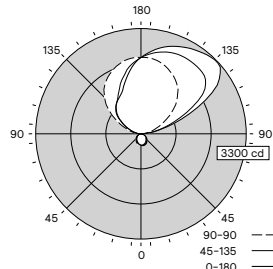
Click "PDF" or "IES" text to download

Nominal CRI & CCT		CRI 90+, 2700K					CRI 90+, 3000K					CRI 90+, 3500K					CRI 90+, 4000K					CRI 90+, 5000K					CRI 90+, 6500K						
Nominal Lumen Package (lm/4ft)	Direct	Indirect	Watts (W) ³	Flux (lm/4ft) ¹	Efficacy (LPW) ¹	UGR ²	Photometry Report	IES File	Flux (lm/4ft) ¹	Efficacy (LPW) ¹	UGR ²	Photometry Report	IES File	Flux (lm/4ft) ¹	Efficacy (LPW) ¹	UGR ²	Photometry Report	IES File	Flux (lm/4ft) ¹	Efficacy (LPW) ¹	UGR ²	Photometry Report	IES File	Flux (lm/4ft) ¹	Efficacy (LPW) ¹	UGR ²	Photometry Report	IES File	Flux (lm/4ft) ¹	Efficacy (LPW) ¹	UGR ²	Photometry Report	IES File

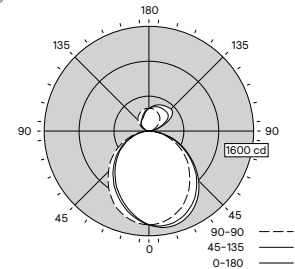
1. 4ft Luminaire photometry has been conducted in accordance with IES LM-79-08. IES files can be downloaded by clicking the links in the table above, or online at ledalite.com. Luminaires with finishes other than standard white may result in a drop in flux and efficacy.
2. Unified Glare Ratio (UGR) is calculated in accordance with CIE 117-1995. Reference conditions of 4HxBxH and reflectances of 70/50/20% have been applied using the procedure described in CIE 190-2010.
3. Input power stated at 3500K. BioUp & Tunable White, stated with Advance FlexTune SR driver & Interact Pro scalable wireless sensor, data may vary with other drivers.
4. LEDalite delivers CRI 90+, 2700K-3000K, and CRI 80+, >3000K-5000K

*Candela plots shown are for 8000lm/4ft & 5000lm/4ft CRI 90, 3500K configurations. **Other distributions available.**

Two Light Engines* - AN (1000 lm Down/7000 lm Up)
Spacing Criteria: 1.38/1.20



Two Light Engines* - AN (4000 lm Down/1000 lm Up)
Spacing Criteria: 1.38/1.20



Footnotes from page 1 ordering guide

1. Nominal values within a range. Not all lumen packages are available with all configurations. Consult photometry data for CRI, color temp, lumens & distribution of chosen configuration.
2. Not all wiring types are available with all configurations. Consult Ledalite for a complete list of available options.
3. 347V Only available with Advance Xitanium 0-10V (1% Dim) driver. Not available with other Drivers, Battery Pack, GTD, Interact Pro options. Battery packs available for UNV 120-277V drivers, lumen package limits may apply, check with Ledalite.
4. Interact Pro options require separate controls hardware by Signify.
5. Tunable White and BioUp options are available with Interact Pro wireless or with 2ch 0-10V or DALI-2 (DT6 or DT8) wired drivers. Please enquire about options such as Lutron T Series or DMX control (extended lead times may apply).
6. Auxiliary Wiring not available with Interact Pro luminaires. Aux sections are wired to one fixture end only.
7. Sensors must be combined with a Sensor Ready driver option. Default sensor colour is white, fixtures with black finish have black sensors. (Consult factory for other combinations).
8. Luminaires are pre-wired to both ends with quick wire connectors at one end for standard circuit & battery pack trigger wire (if applicable). Each circuit has its own neutral conductor. All circuits are clearly labelled at each end.
9. Must order IRT9015 Interact commissioning remote with each system order.
10. One Light Engine options only support single circuit. Two Light Engine options support single or dual circuits.
11. Other options not shown here may also be possible via a custom request. Extended lead times and minimum order quantities may apply, please consult factory.
12. UL924 listed sensor bypass relay is factory installed between driver & sensor. Must be ordered in same module as integral sensing option. Must be installed in conjunction with a UL1008 device.

Note: Due to continuing product improvements, Ledalite reserves the right to change the specifications without notice.